



SAVE ENERGY & ENSURE SAFETY WITH  
**PHOTOCELLS**



# Photocells

americanlite®

We light your world™





## Smart Dimming Photocell

### 7 Pin / 0-10V Dimming

### Zero-Cross Detection Electronic Type

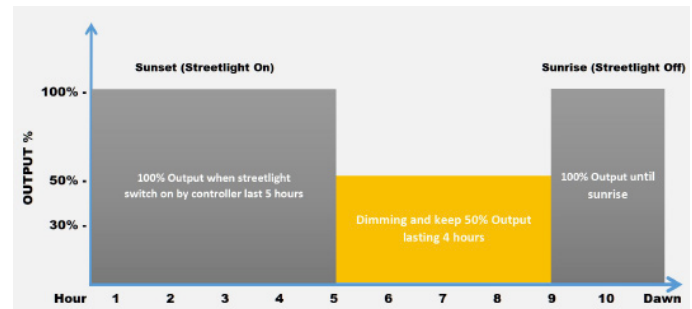
### AL600

#### Technical parameters

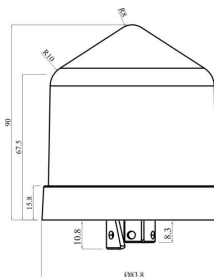
Standard	ANSI C136.10 & UL773
Rated Volts	120V-277V (applicable: 105-305V)
Frequency	50-60 Hz
Rated Load	1000W/1800VA
LED Rating	5A E-Ballast
Turn-On Light Levels	10 -16 LUX
Turn-Off Light Levels	15-30 LUX
ON /OFF Ratio	1:1.5
Time Delay	3-10 Seconds
Operating Temperature	-40°C to +70°C
Switch	>10000 ON/OFF Operations @Rated Load
Ingress Protection	IP67
Surge Protection	MOV 950J Ansi Enhanced Level 10KV/5KA
Light Sensor	IR Filter Phototransistor
Power Consumption	≤ 1 watts at 120VAC
Cover	Anti-UV Impact Resistance Polypropylene
Base	High Temperature Resistance Polybutylene Terephthalate
Fail Mode	ON OFF
Sealed Relay	15A/277VAC
Dielectric Strength	5KV
Resistance to Moisture	98%
Interrupting Capacity	15A
Will operate down to	80VAC

#### 0-10V Midnight Dimming

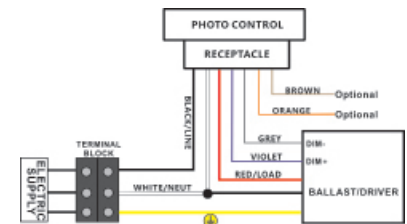
Cycles or settings can be preset based on specific needs. For example, in this graphic, we show first 5 hours @ 100% lumen output, the next 4 hours @ 50% and the rest until sunrise back to 100% lumen output.



#### Dimensions (mm)



#### Wiring Diagram



#### Ordering information

Item	Options	Joules	Color
AL600	Blank Fail ON X Fail OFF	Blank 950J	Blank Black

#### Notes:

- Manufactured according to ISO certificate 9001
- Housing thickness 3 mm
- Net weight 175g

For programming (Factory preset), please specify requirements:

1. How many hours streetlight should remain at 100% output brightness once it is turned on
2. What percentage of output brightness should dim at mid-night

#### Packing information

Model	Pieces per Inner box	Pieces per master	Master Box Dimensions (CM)	CBM (Carton)
AL600	1	50	44 x 44 x 30	0.0580



## 3-Pin Twist Lock Photocell Zero-Cross Detection Electronic Type AL595

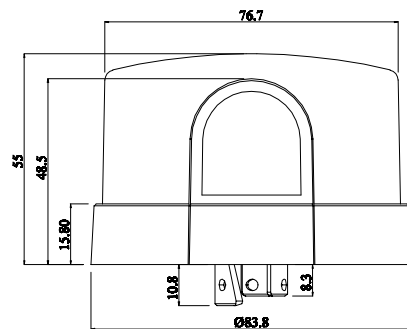


- High In-rush Current Protection
- Programmable Functions  
(Time Delay, Turn ON/OFF & ON/OFF Ratio)

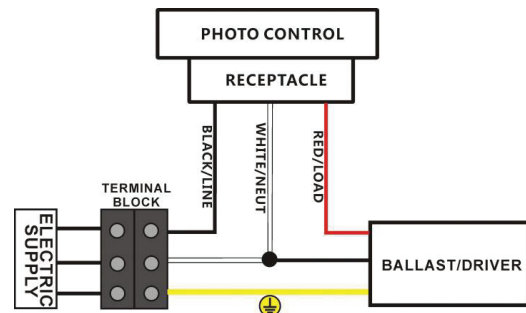
### Technical parameters

Standard	ANSI C136.10 & UL773
Rated Volts	120V-277V (applicable: 105-305V)
Frequency	50/60 Hz
Rated Load	1000W/1800VA
LED Rating	8A E-Ballast
Turn-On Light Levels	16 ± 6 LUX (or programmable)
Turn-Off Light Levels	24 ± 6 LUX (or programmable)
ON /OFF Ratio	1:1.5 (or programmable)
Time Delay	3-10 Seconds (or programmable)
Operating Temperature	-40°C to +70°C
Switch	>20000 ON/OFF Operations @Rated Load
Ingress Protection	IP66
Surge Protection	1280J
Light Sensor	IR Filter Phototransistor
Power Consumption	≤ 0.5 watts at 120VAC
Cover	Anti-UV Impact Resistance Polypropylene
Base	High Temperature Resistance Polybutylene Terephthalate
Fail Mode	ON/OFF options
Sealed Relay	HF 16A/250VAC
Dielectric Strength	5KV
Resistance to Moisture	98%
Interrupting Capacity	16A
Will operate down to	85VAC

### Dimensions (mm)



### Wiring Diagram



### Ordering information

Item	Options	Color
AL595	<b>Blank</b> Fail ON <b>X</b> Fail OFF	<b>Blank</b> Black <b>B</b> Blue <b>G</b> Green

#### Notes:

- Manufactured according to ISO certificate 9001
- Housing thickness 3 mm
- Net weight 125g

### Packing information

Model	Pieces per Inner box	Pieces per master	Master Box Dimensions (CM)	CBM (Carton)
AL595	1	100	42 x 34 x 36	0.0514



## 3-Pin Twist Lock Photocell Zero-Cross Detection Electronic Type AL575

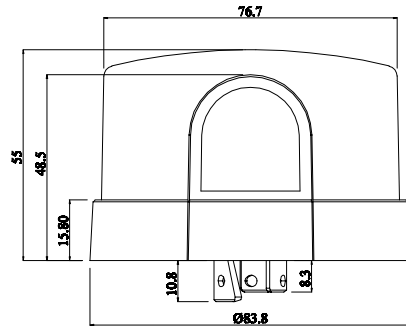


- High In-rush Current Protection
- Programmable Functions  
(Time Delay, Turn ON/OFF & ON/OFF Ratio)
- Will operate down to 85VAC

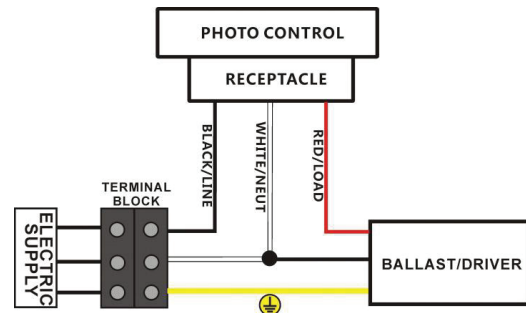
### Technical parameters

Standard	ANSI C136.10 & UL773
Rated Volts	120V-277V (applicable: 105-305V)
Frequency	50/60 Hz
Rated Load	1000W/1800VA
LED Rating	8A E-Ballast @120VAC 5A E-Ballast @ 208-277VAC
Turn-On Light Levels	16 ± 6 LUX (or programmable)
Turn-Off Light Levels	24 ± 6 LUX (or programmable)
ON /OFF Ratio	1:1.5 (or programmable)
Time Delay	3-10 Seconds (or programmable)
Operating Temperature	-40°C to +70°C
Switch	>10000 ON/OFF Operations @Rated Load
Ingress Protection	IP66
Surge Protection	640J, 960J, 1280J
Light Sensor	IR Filter Phototransistor
Power Consumption	≤ 0.5 watts at 120VAC
Cover	Anti-UV Impact Resistance Polypropylene
Base	High Temperature Resistance Polybutylene Terephthalate
Fail Mode	ON/OFF options
Sealed Relay	HF 15A/120VAC
Dielectric Strength	5KV
Resistance to Moisture	98%
Interrupting Capacity	15A
Will operate down to	85VAC

### Dimensions (mm)



### Wiring Diagram



### Ordering information

Item	Options	Joules	Color
AL575	Blank	Fail ON	Blank 640J
	X	Fail OFF	9 960J
			1 1280J

#### Notes:

- Manufactured according to ISO certificate 9001
- Housing thickness 3 mm
- Net weight 110g

### Packing information

Model	Pieces per Inner box	Pieces per master	Master Box Dimensions (CM)	CBM (Carton)
AL575	1	100	42 x 34 x 36	0.0514



## 3-Pin Twist Lock Photocell

### Zero-Cross Detection Electronic Type

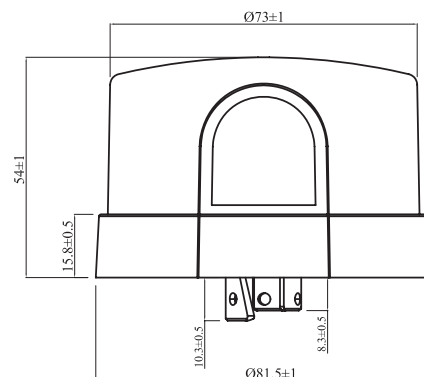
### AL565

- High In-rush Current Protection

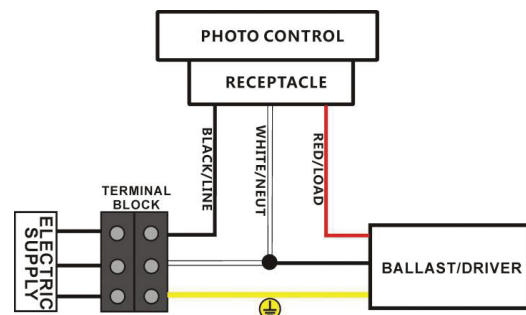
#### Technical parameters

Standard	ANSI C136.10 & UL773
Rated Volts	120V-277V (applicable: 105-305V)
Frequency	50/60 Hz
Rated Load	1000W/1800VA
LED Rating	5A E-Ballast
Turn-On Light Levels	16 ± 6 LUX
Turn-Off Light Levels	<65 LUX
ON /OFF Ratio	1:4
Time Delay	3-10 Seconds
Operating Temperature	-40°C to +70°C
Switch	>10000 ON/OFF Operations @Rated Load
Ingress Protection	IP66
Surge Protection	320J, 640J, 960J
Light Sensor	IR Filter Phototransistor
Power Consumption	≤ 0.5 watts at 120VAC
Cover	Anti-UV Impact Resistance Polypropylene
Base	High Temperature Resistance Polybutylene Terephthalate
Fail Mode	ON/OFF options
Sealed Relay	HF 10A/250VAC
Dielectric Strength	5KV
Resistance to Moisture	98%
Interrupting Capacity	10A
Will operate down to	80VAC

#### Dimensions (mm)



#### Wiring Diagram



#### Ordering information

Item	Options	Joules	Color
AL565	<b>Blank</b>	<b>Blank</b> 320J	<b>Blank</b> Blue
	<b>X</b> Fail ON	<b>6</b> 640J	<b>G</b> Green
	Fail OFF	<b>9</b> 960J	

#### Notes:

- Manufactured according to ISO certificate 9001
- Housing thickness 2 mm
- Net weight 100g

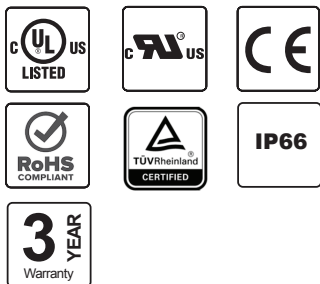
#### Packing information

Model	Pieces per Inner box	Pieces per master	Master Box Dimensions (CM)	CBM (Carton)
AL565	1	100	42 x 34 x 36	0.0514



## 3-Pin Twist Lock Photocell

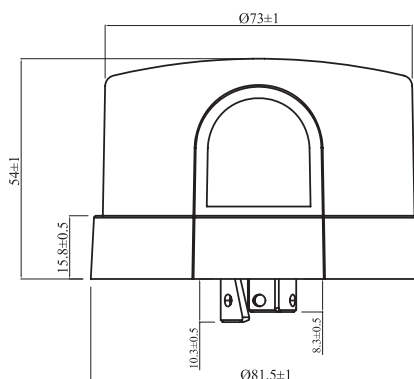
Electronic Type  
AL555



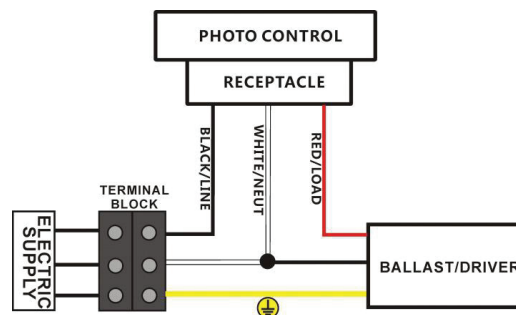
### Technical parameters

Standard	ANSI C136.10 & UL773
Rated Volts	120V-277V (applicable: 105-305V)
Frequency	50/60 Hz
Rated Load	1000W/1800VA
LED Rating	2A E-Ballast
Turn-On Light Levels	16 ± 6 LUX
Turn-Off Light Levels	24 ± 6 LUX
ON /OFF Ratio	1:1.5
Time Delay	3-10 Seconds
Operating Temperature	-40°C to +70°C
Switch	>5000 ON/OFF Operations @Rated Load
Ingress Protection	IP66
Surge Protection	160J, 320J, 640J
Light Sensor	IR Filter Phototransistor
Power Consumption	≤ 0.5 watts at 120VAC
Cover	Anti-UV Impact Resistance Polypropylene
Base	High Temperature Resistance Polybutylene Terephthalate
Fail Mode	ON/OFF options
Sealed Relay	HF 10A/250VAC
Dielectric Strength	3KV
Resistance to Moisture	98%
Interrupting Capacity	10A
Will operate down to	90VAC

### Dimensions (mm)



### Wiring Diagram



### Ordering information

Item	Options	Joules	Color
AL555	Blank	Fail ON	Blank Blue G Green
	X	Fail OFF	
	1	6	

#### Notes:

- Manufactured according to ISO certificate 9001
- Housing thickness 2 mm
- Net weight 95g

### Packing information

Model	Pieces per Inner box	Pieces per master	Master Box Dimensions (CM)	CBM (Carton)
AL555	1	100	42 x 34 x 36	0.0514





## 3-Pin Twist Lock Photocell

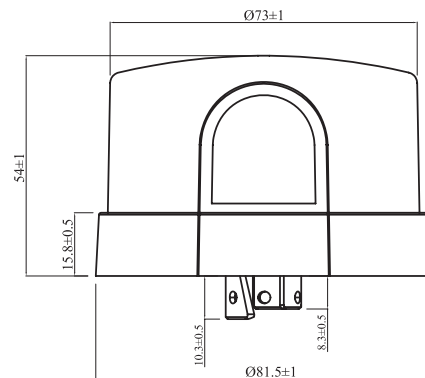
Electronic Type  
AL525



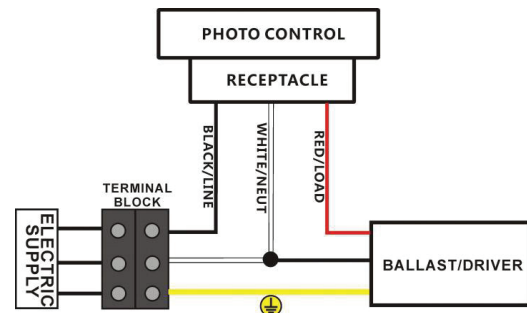
### Technical parameters

Standard	ANSI C136.10 & UL773
Rated Volts	120V-277V (applicable: 105-305V)
Frequency	50/60 Hz
Rated Load	1000W/1800VA
LED Rating	2A E-Ballast
Turn-On Light Levels	16 ± 6 LUX
Turn-Off Light Levels	24 ± 6 LUX
ON /OFF Ratio	1:1.5
Time Delay	3-10 Seconds
Operating Temperature	-40°C to +70°C
Switch	>5000 ON/OFF Operations @Rated Load
Ingress Protection	IP66
Surge Protection	160J, 320J
Light Sensor	IR Filter Phototransistor
Power Consumption	≤ 0.5 watts at 120VAC
Cover	Anti-UV Impact Resistance Polycarbonate
Base	High Temperature Resistance PolypropyleneTerephthalate
Fail Mode	ON/OFF options
Sealed Relay	HF 10A/250VAC
Dielectric Strength	3KV
Resistance to Moisture	98%
Interrupting Capacity	10A
Will operate down to	90VAC

### Dimensions (mm)



### Wiring Diagram



### Ordering information

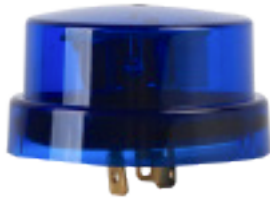
Item	Options	Joules
AL525	<b>Blank</b> Fail ON	<b>Blank</b> 160J
	<b>X</b> Fail OFF	<b>3</b> 320J

#### Notes:

- Manufactured according to ISO certificate 9001
- Housing thickness 1.5 mm
- Net weight 75g

### Packing information

Model	Pieces per Inner box	Pieces per master	Master Box Dimensions (CM)	CBM (Carton)
AL525	1	100	38.5 x 31 x 32	0.0381



## 3-Pin Twist Lock Photocell

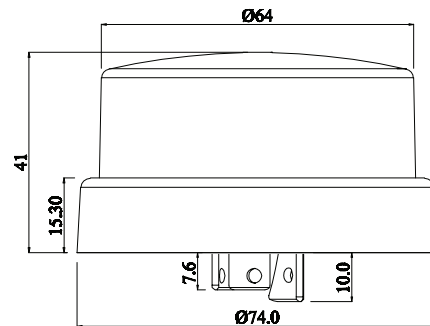
Electronic Type  
AL505



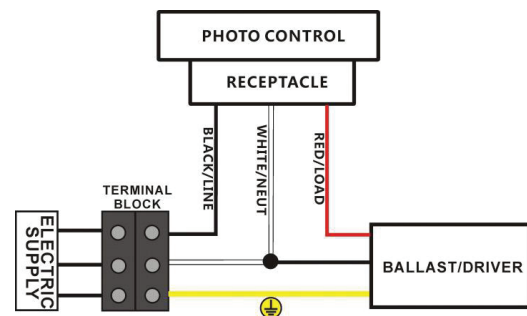
### Technical parameters

Standard	ANSI C136.10 & UL773
Rated Volts	120V-277V (applicable: 105-305V)
Frequency	50/60 Hz
Rated Load	1000W/1800VA
LED Rating	2A E-Ballast
Turn-On Light Levels	16 ± 6 LUX
Turn-Off Light Levels	24 ± 6 LUX
ON /OFF Ratio	1:1.5
Time Delay	3-10 Seconds
Operating Temperature	-40°C to +70°C
Switch	>5000 ON/OFF Operations @Rated Load
Ingress Protection	IP66
Surge Protection	160J, 320J
Light Sensor	IR Filter Phototransistor
Power Consumption	≤ 0.5 watts at 120VAC
Cover	Anti-UV Impact Resistance Polycarbonate
Base	High Temperature Resistance PolypropyleneTerephthalate
Fail Mode	ON/OFF options
Sealed Relay	HF 10A/250VAC
Dielectric Strength	3KV
Resistance to Moisture	98%
Interrupting Capacity	10A
Will operate down to	90VAC

### Dimensions (mm)



### Wiring Diagram



### Ordering information

Item	Options	Joules
AL505	<b>Blank</b> Fail ON	<b>Blank</b> 160J
	<b>X</b> Fail OFF	<b>3</b> 320J

#### Notes:

- Manufactured according to ISO certificate 9001
- Housing thickness 1.5 mm
- Net weight 75g

### Packing information

Model	Pieces per Inner box	Pieces per master	Master Box Dimensions (CM)	CBM (Carton)
AL505	1	100	38.5 x 31 x 32	0.0381



## 3-Pin Twist Lock Photocell

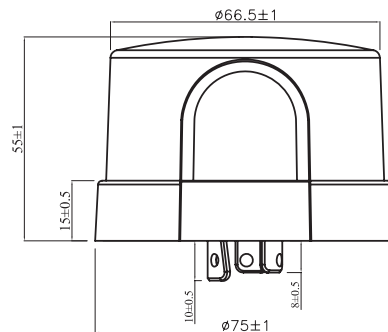
Thermal Type  
AL510



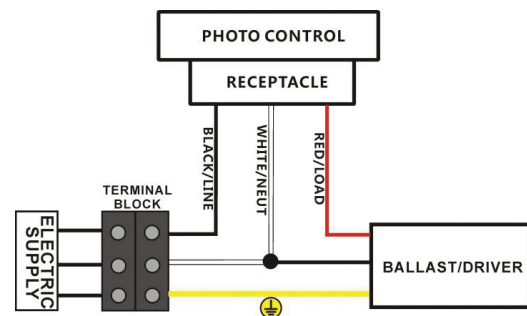
### Technical parameters

Standard	ANSI C136.10 & UL773
Rated Volts	120V
Frequency	50/60 Hz
Rated Load	1800W/1800VA
LED Rating	5A E-Ballast
Turn-On Light Levels	10-16 LUX
Turn-Off Light Levels	<65 LUX
ON /OFF Ratio	1:5
Time Delay	30-180 Seconds
Operating Temperature	-40°C to +70°C
Switch	>5000 ON/OFF Operations @Rated Load
Ingress Protection	IP66
Surge Protection	N/A
Light Sensor	Cadmium Sulfide (CDS)
Power Consumption	≤ 0.7 watts at 120VAC
Cover	UV stabilized impact resistant Polypropylene
Base	High Temperature Resistance Polybutylene Terephthalate
Fail Mode	ON
Sealed Relay	N/A
Dielectric Strength	3KV
Resistance to Moisture	98%
Interrupting Capacity	15A
Will operate down to	105VAC

### Dimensions (mm)



### Wiring Diagram



### Ordering information

Item	Color
AL510	Blank
B	Gray
	Blue

Notes:

- Manufactured according to ISO certificate 9001
- Housing thickness 2 mm
- Net weight 72g

### Packing information

Model	Pieces per Inner box	Pieces per master	Master Box Dimensions (CM)	CBM (Carton)
AL510	1	100	38.5 x 31 x 32	0.0381

## 3-Pin Twist Lock Photocell

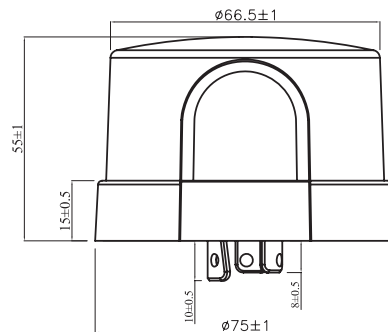
Thermal Type  
AL515



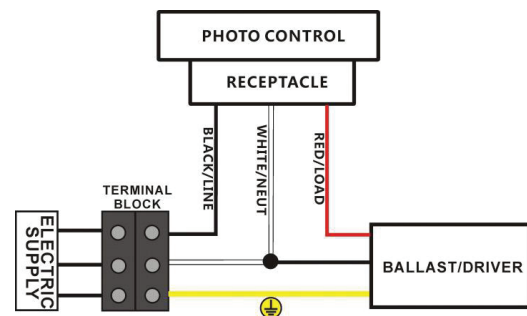
### Technical parameters

Standard	ANSI C136.10 & UL773
Rated Volts	240V
Frequency	50/60 Hz
Rated Load	2000W/2000VA
LED Rating	5A E-Ballast
Turn-On Light Levels	10-16 LUX
Turn-Off Light Levels	<65 LUX
ON /OFF Ratio	1:5
Time Delay	30-180 Seconds
Operating Temperature	-40°C to +70°C
Switch	>5000 ON/OFF Operations @Rated Load
Ingress Protection	IP66
Surge Protection	N/A
Light Sensor	Cadmium Sulfide (CDS)
Power Consumption	≤ 1 watts at 120VAC
Cover	UV Stabilized Impact Resistance Polypropylene
Base	High Temperature Resistance Polybutylene Terephthalate
Fail Mode	ON
Sealed Relay	N/A
Dielectric Strength	3KV
Resistance to Moisture	96%
Interrupting Capacity	8.3A
Will operate down to	208VAC

### Dimensions (mm)



### Wiring Diagram



### Ordering information

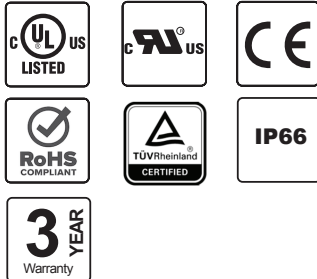
Item	Color
AL515	<b>Blank</b> Maroon <b>B</b> Blue

#### Notes:

- Manufactured according to ISO certificate 9001
- Housing thickness 2 mm
- Net weight 72g

### Packing information

Model	Pieces per Inner box	Pieces per master	Master Box Dimensions (CM)	CBM (Carton)
AL515	1	100	38.5 x 31 x 32	0.0381



## 3-Pin Twist Lock Photocell

Electromagnetic Type  
AL520

### Technical parameters

Standard	ANSI C136.10 & UL773
Rated Volts	120V-277V (applicable: 105-305V)
Frequency	50/60 Hz
Rated Load	1000W/1800VA
LED Rating	5A E-Ballast (5 Arm)
Turn-On Light Levels	16 ± 6 LUX
Turn-Off Light Levels	<65 LUX
ON /OFF Ratio	1:3
Time Delay	1 Second
Operating Temperature	-40°C to +70°C
Switch	>5000 ON/OFF Operations @Rated Load
Ingress Protection	IP66
Surge Protection	160J, 320J
Light Sensor	Cadmium Sulfide (CDS)
Power Consumption	≤ 0.7 watts at 120VAC
Cover	Anti-UV Impact Resistance Polypropylene
Base	High Temperature Resistance Polybutylene Terephthalate
Fail Mode	ON
Sealed Relay	15A/240V
Dielectric Strength	3KV
Resistance to Moisture	96%
Interrupting Capacity	15A
Will operate down to	90VAC

### Ordering information

Item	Joules
AL520	<b>Blank</b> 160J
	<b>3</b> 320J

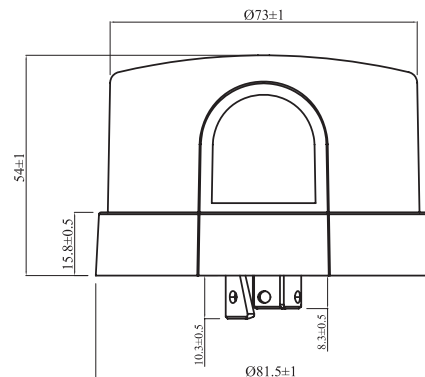
#### Notes:

- Manufactured according to ISO certificate 9001
- Housing thickness 2 mm
- Net weight 120g

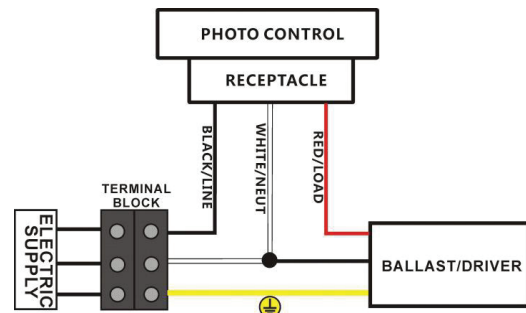
### Packing information

Model	Pieces per Inner box	Pieces per master	Master Box Dimensions (CM)	CBM (Carton)
AL520	1	100	42 x 34 x 36	0.0514

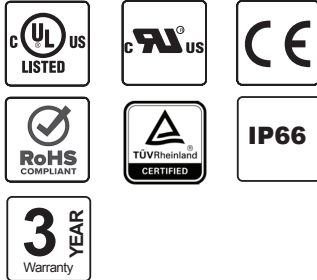
### Dimensions (mm)



### Wiring Diagram



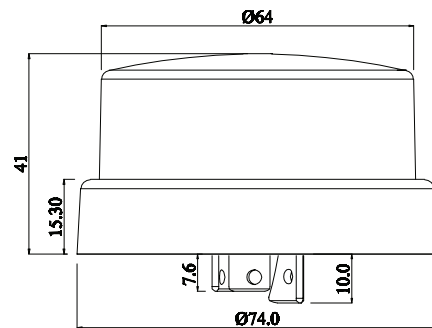
## 3-Pin Short Circuit Cap AL5SC



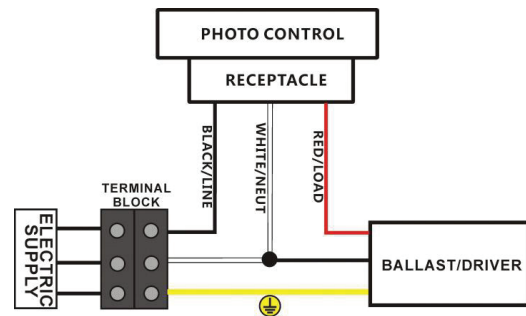
### Technical parameters

Standard	ANSI C136.10 & UL773
Rated Volts	0-480V
Frequency	50/60 Hz
Rated Load	15A
Ingress Protection	IP66
Cover	Anti-UV Impact Resistance Polycarbonate
Base	High Temperature Resistance Polybutylene Terephthalate

### Dimensions (mm)



### Wiring Diagram



### Ordering information

Item	Color
AL5SC	<b>Blank</b> Black <b>B</b> Blue (clear) <b>R</b> Red

#### Notes:

- Manufactured according to ISO certificate 9001
- Housing thickness 1.5 mm
- Net weight 50g

### Packing information

Model	Pieces per Inner box	Pieces per master	Master Box Dimensions (CM)	CBM (Carton)
AL5SC	1	100	38.5 x 31 x 32	0.0381

## Mounting Receptacle

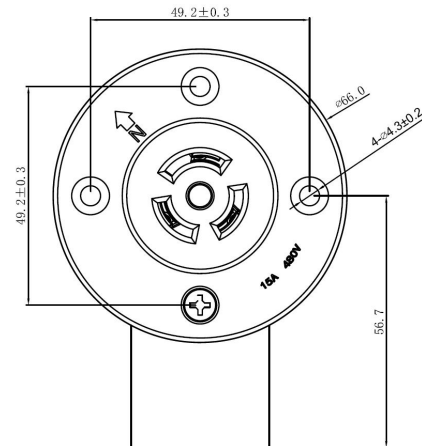
AL645B



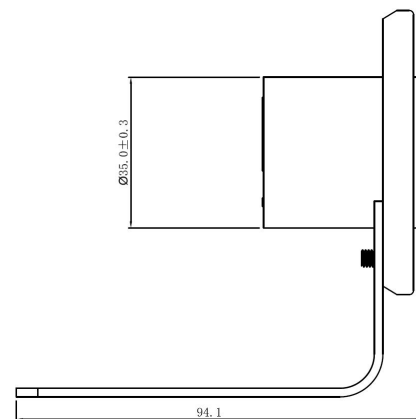
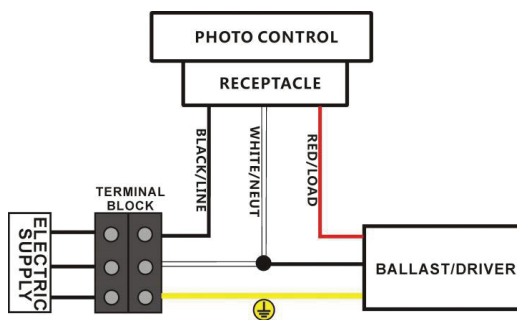
### Dimensions (mm)

### Technical parameters

Rated Volts	480VAC MAX
Frequency	50/60 Hz
Rated Load	15A MAX
Operating Temperature	-40°C to +70°C
Related Humidity	99%
Insulation	3000V /60Hz / 1 min
Housing	Bakelite
Bracket	Steel Iron
Wire	UL1015 16AWG X 20cm



### Wiring Diagram



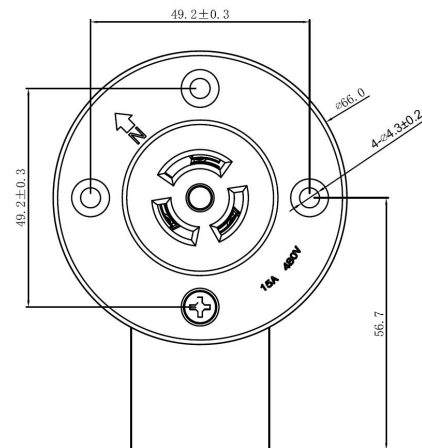
### Packing information

Model	Pieces per Inner box	Pieces per master	Master Box Dimensions (CM)	CBM (Carton)	Gross Weight (KGS)
AL645B	1	100	38 x 37 x 29	0.0407	15.5

## Mounting Receptacle AL645C



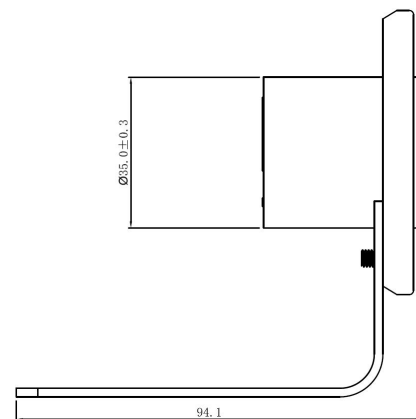
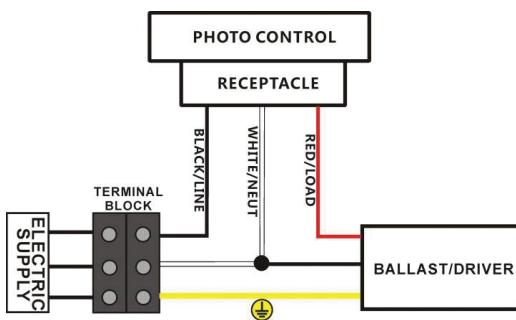
### Dimensions (mm)



### Technical parameters

Rated Volts	480VAC MAX
Frequency	50/60 Hz
Rated Load	15A MAX
Operating Temperature	-40°C to +70°C
Related Humidity	99%
Insulation	3000V /60Hz / 1 min
Housing	Bakelite
Bracket	Steel Iron
Wire	UL1015 18AWG X 20cm

### Wiring Diagram



### Packing information

Model	Pieces per Inner box	Pieces per master	Master Box Dimensions (CM)	CBM (Carton)	Gross Weight (KGS)
AL645C	1	100	38 x 37 x 29	0.0407	15.5



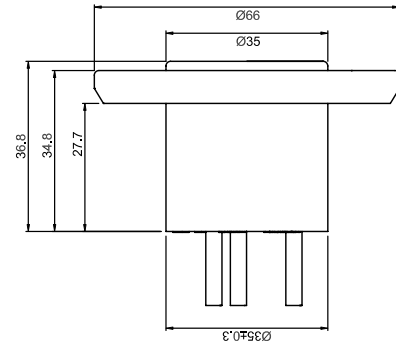


## 3 Pin Photobase

AL645

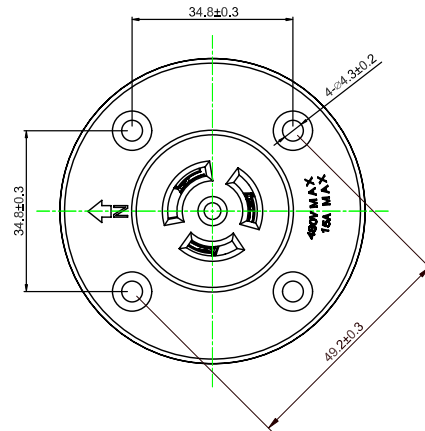


### Dimensions (mm)

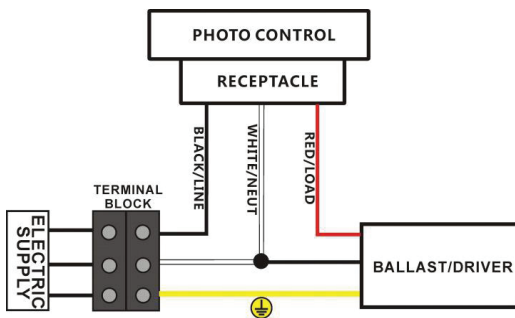


### Technical parameters

Rated Volts	480VAC MAX
Frequency	50/60 Hz
Rated Load	15A MAX
Operating Temperature	-40°C to +70°C
Related Humidity	99%
Insulation	3000V /60Hz / 1 min
Housing	Bakelite
Cable	UL1015 16 AWG x 20cm
Accessory	Silicone Gasket



### Wiring Diagram



### Packing information

Model	Pieces per Inner box	Pieces per master	Master Box Dimensions (CM)	CBM (Carton)	Gross Weight (KGS)
AL645	1	100	38.5 x 31 x 32	0.0382	12.5



## 3 Pin Photobase

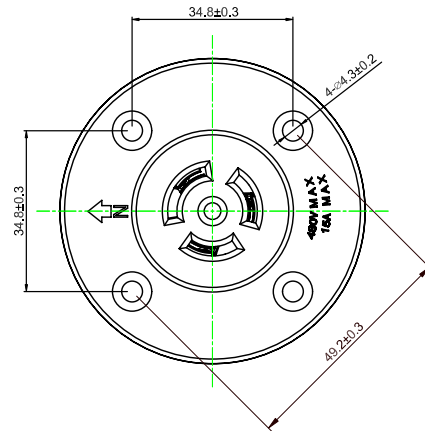
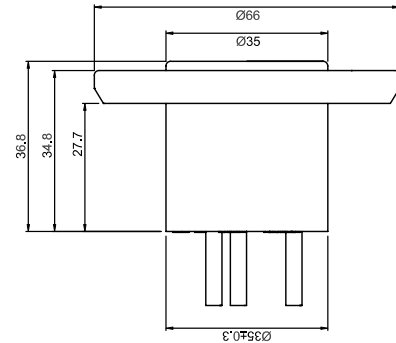
AL645NB



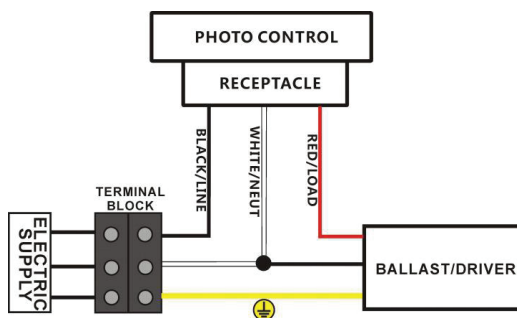
### Dimensions (mm)

### Technical parameters

Rated Volts	480VAC MAX
Frequency	50/60 Hz
Rated Load	15A MAX
Operating Temperature	-40°C to +70°C
Related Humidity	99%
Insulation	3000V /60Hz / 1 min
Housing	Bakelite
Cable	UL1015 18 AWG x 20cm
Accessory	Silicone Gasket



### Wiring Diagram



### Packing information

Model	Pieces per Inner box	Pieces per master	Master Box Dimensions (CM)	CBM (Carton)	Gross Weight (KGS)
AL645NB	1	100	38.5 x 31 x 32	0.0382	11.8



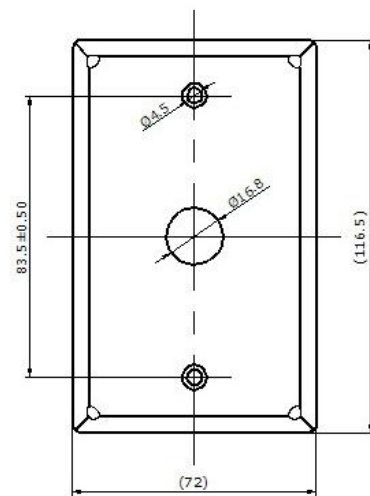
## Wire-In Thermal Type Photo control & Faceplate



### Technical parameters

Standard	ANSI C136.24 & UL773A
Rated Volts	120V/240V/208-277V/120-277V
Frequency	50/60 Hz
Color	Black
Turn-On Light Levels	10-16 LUX
Turn-Off Light Levels	<65 LUX
Time Delay	30-180 Seconds
ON /OFF Ratio	1:5
Operating Temperature	-40°C to +70°C
Switch	>5000 ON/OFF Operations @Rated Load
Fail Mode	ON
Light Sensor	Cadmium Sulfide (Cds) Cell
Power Consumption	≤ 0.7 watts at 120VAC
Housing	Anti-UV Impact Resistance Polycarbonate (PC)
Cable	UL1015 18AWG x 16cm

### Dimensions (mm)



### Ordering information

Item	Rated Voltage	Rated Tungsten (W)	Rating Ballast (VA)	Rating E-Ballast (A)
AL550000	120V	1800W	1800VA	5A
AL550001	240V	2000W	2000VA	5A
AL550002	208-277V	2000W	2000VA	5A
AL550003	120-277V	1000W	1800VA	2A

### Packing information

Pieces per Inner box	Pieces per master	Master Box Dimensions (CM)	CBM (Carton)
2	200	34 x 21 x 33.5	0.0239



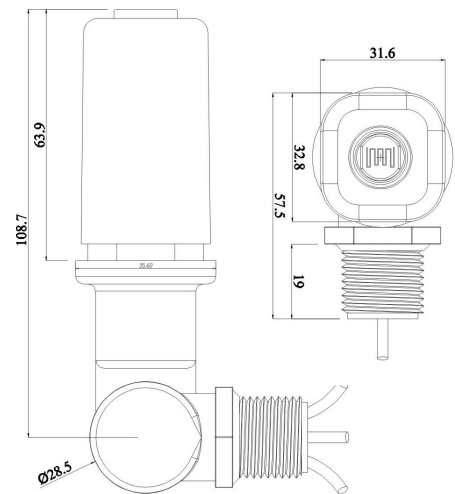
## Wire-In Thermal Type Photo control



### Technical parameters

Standard	ANSI C136.24 & UL773A
Rated Volts	120V/240V/208-277V/120-277V
Frequency	50/60 Hz
Color	Grey
Turn-On Light Levels	10-16 LUX
Turn-Off Light Levels	<65 LUX
Time Delay	30-180 Seconds
ON /OFF Ratio	1:5
Operating Temperature	-40°C to +70°C
Switch	>5000 ON/OFF Operations @Rated Load
Fail Mode	ON
Light Sensor	Cadmium Sulfide (Cds) Cell
Power Consumption	≤ 0.7 watts at 120VAC
Housing	Anti-UV Impact Resistance Polycarbonate (PC)
Cable	UL1015 18AWG x 16cm

### Dimensions (mm)



### Ordering information

Item	Rated Voltage	Rated Tungsten (W)	Rating Ballast (VA)	Rating E-Ballast (A)
AL550004	120V	1800W	1800VA	5A
AL550005	240V	2000W	2000VA	5A
AL550006	208-277V	2000W	2000VA	5A
AL550007	120-277V	1000W	1800VA	2A

### Packing information

Pieces per Inner box	Pieces per master	Master Box Dimensions (CM)	CBM (Carton)
1	100	51 x 31 x 20	0.0316



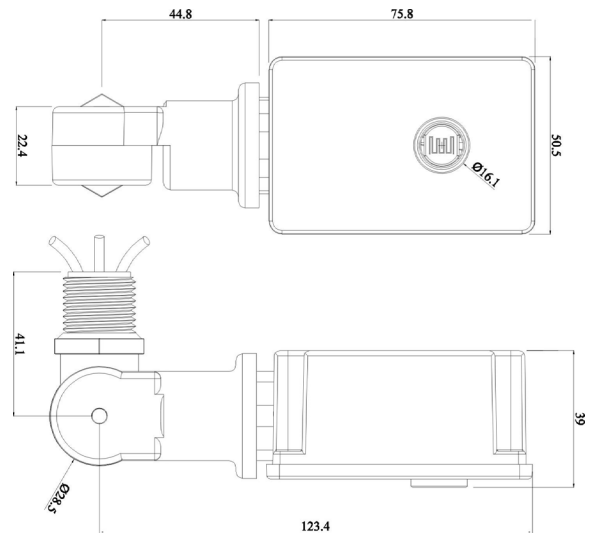
## Wire-In Thermal Type Photo control



### Technical parameters

Standard	ANSI C136.24 & UL773A
Rated Volts	120V/240V/208-277V/120-277V
Frequency	50/60 Hz
Color	Grey
Turn-On Light Levels	10-16 LUX
Turn-Off Light Levels	<65 LUX
Time Delay	30-180 Seconds
ON /OFF Ratio	1:5
Operating Temperature	-40°C to +70°C
Switch	>5000 ON/OFF Operations @Rated Load
Fail Mode	ON
Light Sensor	Cadmium Sulfide (Cds) Cell
Power Consumption	≤ 0.7 watts at 120VAC
Housing	Anti-UV Impact Resistance Polycarbonate (PC)
Cable	UL1015 18AWG x 16cm

### Dimensions (mm)



### Ordering information

Item	Rated Voltage	Rated Tungsten (W)	Rating Ballast (VA)	Rating E-Ballast (A)
AL550008	120V	1800W	1800VA	5A
AL550009	240V	2000W	2000VA	5A
AL550010	208-277V	2000W	2000VA	5A
AL550011	120-277V	1000W	1800VA	2A

### Packing information

Pieces per Inner box	Pieces per master	Master Box Dimensions (CM)	CBM (Carton)
1	100	49 x 30 x 37	0.0543



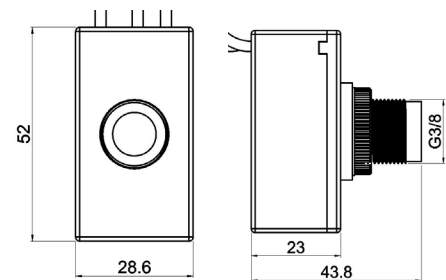
## Wire-In Electronic Type Zero-Cross Detection Photo control



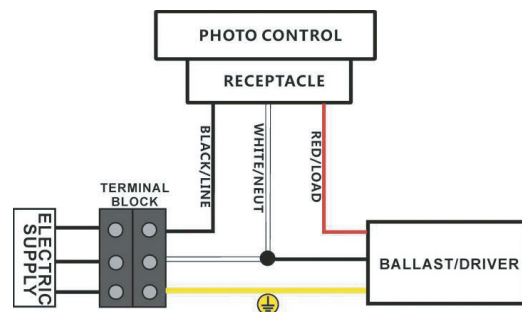
### Technical parameters

Standard	ANSI C136.24 & UL773A
Rated Volts	120V-277V (applicable: 105V-305V)
Frequency	50/60 Hz
Color	Black
Turn-On Light Levels	10-16 LUX
Turn-Off Light Levels	16-24 LUX
Time Delay	3-15 Seconds
ON /OFF Ratio	1:1.5
Operating Temperature	-40°C to +70°C
Switch	>10000 ON/OFF Operations @Rated Load
Fail Mode	ON
Light Sensor	IR Filter Phototransistor
Power Consumption	≤ 0.7 watts at 120VAC
Housing	Anti-UV Impact Resistance Polycarbonate (PC)
Cable	UL1015 18AWG x 16cm

### Dimensions (mm)



### Wiring Diagram



### Ordering information

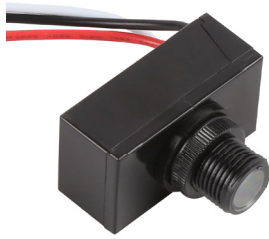
Item	Volts	Tungsten (W)	Ballast (VA)	E-Ballast (A)	Options
AL550018	120V-277V	1000W	1800VA	1.2A	<b>Blank</b> Fail ON
AL550019	120V-277V	1000W	1800VA	2.5A	<b>X</b> Fail OFF

Notes:  
 • Manufactured according to ISO certificate 9001  
 • Housing thickness 1.5 mm  
 • Net weight 45g

### Packing information

Pieces per Inner box	Pieces per master	Master Box Dimensions (CM)	CBM (Carton)
2	200	34 x 21 x 33.5	0.0239





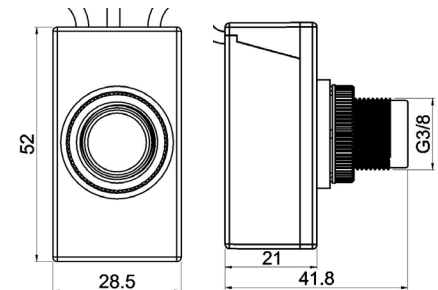
## Wire-In Thermal Type Photo control



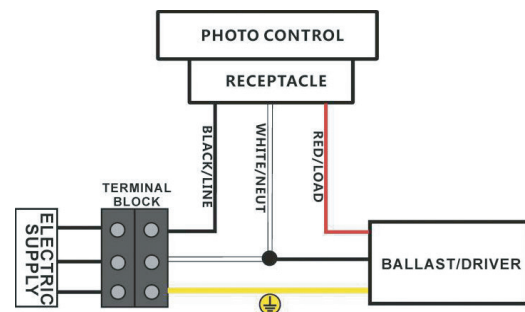
### Technical parameters

Standard	ANSI C136.24 & UL773A
Rated Volts	120V/240V/208-277V
Frequency	50-60 Hz
Color	Black
Turn-On Light Levels	10-16 LUX
Turn-Off Light Levels	<65 LUX
Time Delay	30-180 Seconds
ON /OFF Ratio	1:5
Operating Temperature	-40°C to +70°C
Switch	>5000 ON/OFF Operations @Rated Load
Fail Mode	ON
Light Sensor	Cadmium Sulfide (Cds) Cell
Power Consumption	≤ 0.7 watts at 120VAC
Housing	Anti-UV Impact Resistance Polycarbonate (PC)
Cable	UL1015 18AWG x 16cm

### Dimensions (mm)



### Wiring Diagram



### Ordering information

Item	Volts	Tungsten (W)	Ballast (VA)	E-Ballast (A)
AL550012	120V	1800W	1800VA	5A
AL550013	240V	2000W	2000VA	5A
AL550014	208-277V	2000W	2000VA	5A

#### Notes:

- Manufactured according to ISO certificate 9001
- Housing thickness 1.5 mm
- Net weight 45g

### Packing information

Pieces per Inner box	Pieces per master	Master Box Dimensions (CM)	CBM (Carton)
2	200	34 x 21 x 33.5	0.0239

## Photo control Lampholder



**AL551000**

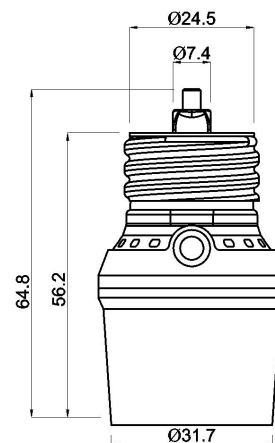
- Compatible with Incandescent, CFL & LED bulbs
- Self-Tightening Dusk to Dawn Light Control
- No wiring required simply screw-in
- Turns light On at dusk, Off at dawn
- Compact design fits smaller enclosed outdoor fixtures
- Weather resistant and reliable solid state circuitry
- Spring thimble on top, adjustable for the phototransistor sensor's orientation to face the different direction of sunlight



### Technical parameters

Standard	UL496
Rated Volts	120V/240V
Rated Load	150w Max
Frequency	50/60 Hz
Fail Mode	ON
Turn-On Light Levels	10-16 Lux
Turn-Off Light Levels	<65 Lux
Action Time	3-5 sec
Operating Temperature	-40°C to +70°C
Related Humidity	96%
Switch	>5000 ON/OFF Operation at Rated Load
Power Consumption	≤ 0.7 watts at 120VAC
Lamp Cap	E26 / E27
Lamp Holder	E26 / E27

### Dimensions (mm)



### Packing information

Pieces per Inner box	Pieces per master	Master Box Dimensions (CM)	CBM (Carton)
2	200	39 x 31 x 23	0.0278



**AL551001**

## Photo control Lampholder

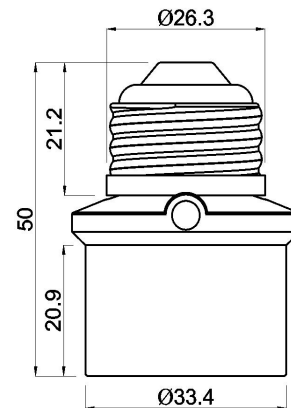
- Compatible with Incandescent, CFL & LED bulbs
- Self-Tightening Dusk to Dawn Light Control
- No wiring required simply screw-in
- Turns light On at dusk, Off at dawn
- Compact design fits smaller enclosed outdoor fixtures
- Weather resistant and reliable solid state circuitry



### Technical parameters

Standard	UL496
Rated Volts	120V/240V
Rated Load	150w Max
Frequency	50/60 Hz
Fail Mode	ON
Turn-On Light Levels	10-16 Lux
Turn-Off Light Levels	<65 Lux
Action Time	3-5 sec
Operating Temperature	-40°C to +70°C
Related Humidity	96%
Switch	>5000 ON/OFF Operation at Rated Load
Power Consumption	≤ 0.7 watts at 120VAC
Lamp Cap	E26 / E27
Lamp Holder	E26 / E27

### Dimensions (mm)



### Packing information

Pieces per Inner box	Pieces per master	Master Box Dimensions (CM)	CBM (Carton)
2	200	39 x 31 x 23	0.0278



**AL551003**



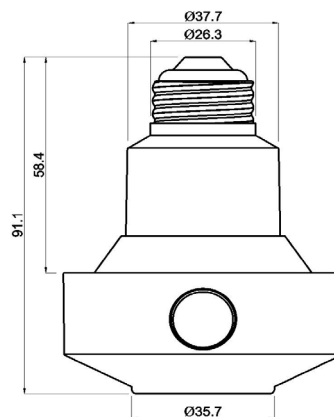
## Photo control Lampholder

- Compatible with Incandescent, CFL & LED bulbs
- Self-Tightening Dusk to Dawn Light Control
- No wiring required simply screw-in
- Turns light On at dusk, Off at dawn
- Compact design fits smaller enclosed outdoor fixtures
- Weather resistant and reliable solid state circuitry
- With removable light shield that can be rotatable to receive the brightness range, or can be removed if not needed

### Technical parameters

Standard	UL496
Rated Volts	120V/240V
Rated Load	150w Max
Frequency	50/60 Hz
Fail Mode	ON
Turn-On Light Levels	10-16 Lux
Turn-Off Light Levels	<65 Lux
Action Time	3-5 sec
Operating Temperature	-40°C to +70°C
Related Humidity	96%
Switch	>5000 ON/OFF Operation at Rated Load
Power Consumption	≤ 0.7 watts at 120VAC
Lamp Cap	E26 / E27
Lamp Holder	E26 / E27

### Dimensions (mm)



### Packing information

Pieces per Inner box	Pieces per master	Master Box Dimensions (CM)	CBM (Carton)
1	100	39 x 38 x 38	0.0563