



**Solar Streetlite™**

**americanlite®**

**We light your world™**



## Dynamo Pro™ Series

30w/40w/50w/60w/80w  
100w/120w/150w/200w



Renewable energy is what occurs as the sun rises each day. One of the main functions of outdoor lighting is to protect assets, people, and property. Better visibility is provided by solar LED lighting, along with protection against brownouts and blackouts. The lights may be adjusted to practically any application and are always present when you need them.

The Dynamo Pro™ Series "All in One" solar streetlight, the most effective LED solar lighting system in the world with a breathtaking 200 lxw, was specifically created to illuminate a wide range of applications. Modern solar power and LED technologies are incorporated into its intelligent design and slim construction to deliver consistent performance and operational dependability for many years. With an outstanding e IK09 rate, Dynamo Pro™ Series tough construction is ready to the task. With marine grade aluminum and stainless steel fasteners and certification to pass the 1000-hour Saline Chamber Test (Salt Spray), its internal components provide IP66 weather protection.

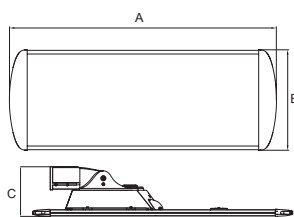
Dynamo Pro™ Series components are the most advanced available in the market. High efficiency Lumileds 5050 led chips combined with a solar panel made of integrated monocrystalline silicon with a 25-year lifespan and a > 21% conversion rate. A non-heavy lithium iron phosphate battery with Dual Protection Technology (charge and discharge/high temperature performance/large current discharge) and a lifespan of more than 2500 cycles is the LiFePO4 battery system. Using the latest technology in MPPT Solar Charger, an intelligent system to control the dimming by MS and timer. With a built-in Microwave Motion Sensor (MW) in the Dynamo Pro™ Solar fixture automatically adjusts the LED light output from maximum brightness to a lower level in response to the detection of movement nearby. Tool free maintenance, the battery box can be opened and easy to replace. Special pug connector wiring, tool free and waterproof with anti-wrong connection function. Horizontal or vertical pole installation, mounted angle is adjustable.

The Dynamo Pro™ Series is built to survive the toughest and most extreme weather conditions, including scorching heat, driving rain, hail, and below-freezing cold.

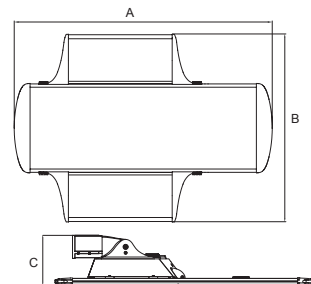
- Type II**
- CE**
- EMC**
- RoHS**
- IP66**
- IK09**
- 3G**
- Lumens**  
200 L/W
- CCT**  
5700K
- CRI**  
70
- LifePO4 Battery**
- 20°C~60°C**
- 70,000**
- 7 YEAR**  
Warranty

### Dimensions (mm)

30w-100w



120w-200w (Bifold adjustable panels: ± 45°mm)



Model	A	B	C	D Ø
30w	744.8	407.3	206.8	60
40w	803.8	407.3	206.8	60
50w	896.8	407.3	206.8	60
60w	1081.7	407.3	206.8	60
80w	1361.1	407.3	206.8	60
100w	1640.4	407.3	298.3	60
120w	1361.1	855.3	298.8	60
150w	1547.1	855.3	298.8	60
200w	1733.8	855.3	298.8	60

Suitable for pole diameter 60-80 mm

### Ordering information

Item	Watts	Solar Panel	Lumens	CCT	Options
AL770020	30w	40w	6000	<b>Blank</b> 5700K	<b>Blank</b> MPPT
AL770021	40w	50w	8000	<b>6</b> 6500K	<b>NS</b> No Sensor
AL770022	50w	60w	10000	<b>4</b> 4000K	<b>1</b> 100% / 30% (motion/stand-by)
AL770023	60w	80w	12000	<b>3</b> 3000K	<b>2</b> 70% of lumens constant ON
AL770024	80w	100w	16000		
AL770025	100w	120w	20000		
AL770026	120w	150w	24000		
AL770027	150w	180w	30000		
AL770028	200w	240w	40000		
AL7700-RC	Remote control				

## 12 Hour Cycle Lumen Output

Turns on when sunlight is  $\leq 10$  lux



Day light (off)



Motion



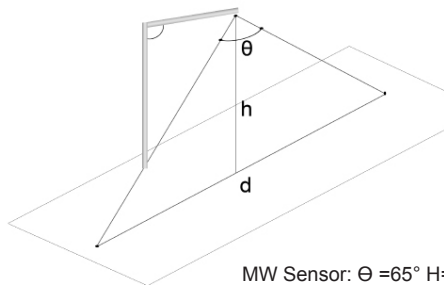
Stand-by  
after 15 seconds no motion

Hours of operation		
• First 2 hours	100%	30%
• Next 3 hours	50%	20%
• Next 6 hours	20%	10%
• Last hour	30%	10%

## Specifications

Fixture	30w	40w	50w	60w	80w	100w	120w	150w	200w
Solar panel	40w/18V	50w/18V	60w/18V	80w/18V	100w/18v	120w/36V	150w/36V	180w/36V	240w/36V
LiFePO <sub>4</sub> Battery	12.8V18AH	12.8V24AH	12.8V30AH	12.8V36AH	12.8V42AH	25.6V24AH	25.6V30AH	25.6V36AH	25.6V48AH
System	12V	12V	12V	12V	12V	24V	24V	24V	24V
Charging time	6 Hrs	6 Hrs	6 Hrs	6 Hrs	6 Hrs	6 Hrs	6 Hrs	6 Hrs	6 Hrs
Cloudy days	5	5	5	5	5	5	5	5	5
Working hours	12 Hrs	12 Hrs	12 Hrs	12 Hrs	12 Hrs	12 Hrs	12 Hrs	12 Hrs	12 Hrs

## Sensor Range



MW Sensor:  $\theta = 65^\circ$  H= up to 9m D=10m

## Tests

- Salt Spray-has no rust after testing 1000 hours, standard testing requirement is no less than 1000 hours, PASS
- Vibration Test according IEC60068-2-6:2007
- EMC Directive 2014/30/EU
- EN IEC 55015:2019+A11:2020
- EN 61547:2009
- EN IEC 61000-3-2:2019/A1:2021
- EN 61000-3-3:2013+A2:2021

## Components Lifetime

Solar Panel	25 years
Battery	5 years
Battery Life cycles	2500
LED Chip	100,000 hours

## Notes

- 3000K= 180 lxw
- Horizontal or vertical pole mounted angle is adjustable to  $90^\circ$
- 120w-200w bi-fold panel can be adjusted  $\pm 45^\circ$
- 30W-60W=PWM std, MPPT available upon request
- 100w-200w MPPT Standard
- Lumen Tolerance  $<7\%$
- Battery Life cycles 2500 = 2800 days

## EPA:

30w = 1.91 ft <sup>2</sup>	100w = 6.08 ft <sup>2</sup>
40w = 2.08 ft <sup>2</sup>	120w = 10.59 ft <sup>2</sup>
50w = 2.30 ft <sup>2</sup>	150w = 12.01 ft <sup>2</sup>
60w = 2.78 ft <sup>2</sup>	200w = 13.48 ft <sup>2</sup>
80w = 3.50 ft <sup>2</sup>	

## Packing information

Model	CBM (Master)	Pieces/master	Box Dimensions (cm)	Gross weight (Kg)
30w	0.086	1	80 x 45 x 24	13
40w	0.093	1	86 x 45 x 24	14
50w	0.103	1	95 x 45 x 24	16
60w	0.123	1	114 x 45 x 24	18
80w	0.153	1	142 x 45 x 24	20
100w	0.252	1	170 x 45 x 33	24
120w	0.209	1	141 x 45 x 33	28
150w	0.238	1	160 x 45 x 33	32.5
200w	0.266	1	179 x 45 x 33	36

## Cyclone™ Series

30w/40w/50w/60w/80w/100w



The sun comes up every day; that's the definition of renewable energy. Protecting property, people and assets is one of the key jobs of exterior lighting. Solar LED lighting not only offers better visibility, but also security from brownouts and blackouts. The lights are always there when you need them and can adapt to almost any application.

Cyclone™ Series "All in One" solar street light was specially designed to illuminate a wide range of applications, is the world's most efficient LED Solar lighting system, with a stunning up to 170 lxw. Its clever design and slim line construction incorporate the latest solar power and LED technology, Lumileds 5050 LED Chips, providing many years of consistent performance and operational reliability. We offer 4 lighting distributions: Type II and Type III for Roadways and Street applications, and 2 for floodlight applications: 60° & 90° round pattern.

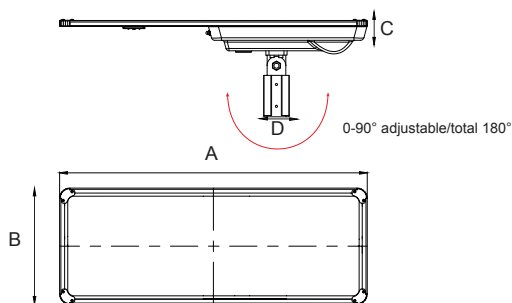
Cyclone™ Series rugged construction is up for the challenge, IK09 rating. Its internal components offer IP66 weather protection with marine grade aluminum and stainless-steel fixings. Cyclone™ Series components are the most advanced available in the market. An integrated monocrystalline silicon solar panel, with a conversion rate up to 19%, and 25-years lifespan. LiFePO4 battery system: a non-heavy lithium iron phosphate battery, combined with Dual Protection Technology (charge and discharge/high temperature performance / large current discharge) with a lifespan > 2000 cycles. PIR Sensor allows detection up to 8m mounting high and a perimeter of 7 meters with a 60 angle in all direction. Optional Microwave Sensor allows detection up to 10m mounting high and a perimeter of 9 meters with a 60 angle in all direction.

Cyclone™ Solar fixture has a built-in passive microwave motion sensor that automatically regulates the LED light output from full brightness to a lower level depending upon the detection of movement around the light. IOT system (optional), allows monitoring and manage the working status of each component. MPPT system (optional) can track the solar panel maximum power generation up to 98%.

Cyclone™ Series has been designed to withstand the harshest and most extreme environments has to offer, from blistering heat to driving rain, hail and sub-zero temperatures.

<b>Type II</b> 	<b>Type III</b> 	
<b>60° Beam Angle</b> 	<b>90° Beam Angle</b> 	
<b>CE</b>	<b>RoHS</b>	<b>IP66</b>
<b>IK09</b>	<b>Lumens up to 170 L/W</b>	<b>CCT 5700K</b>
<b>CRI 70</b>	<b>LifePO4 Battery</b>	
	<b>7 YEAR Warranty</b>	

### Dimensions (mm)



Model	A	B	C	D Ø
30w	735	373	107.8	62
40w	880	373	107.8	62
50w	988	373	107.8	62
60w	1352	373	107.8	62
80w	1382	373	107.8	62
100w	1382	373	107.8	62

Suitable for pole diameter 40-60mm

### Ordering information

Item	Watts	Solar Panel	Lumens	Options					
AL574410	30w	40w	5100	<b>Blank</b>	5700K	<b>Blank</b>	Type II	<b>Blank</b>	PWM
AL574411	40w	50w	6800	<b>6</b>	6500K	<b>3</b>	Type III	<b>MW</b>	Microwave Sensor
AL574412	50w	60w	8500	<b>5</b>	5000K	<b>6</b>	60°	<b>M</b>	MPPT
AL574413	60w	80w	10200	<b>4</b>	4000K	<b>9</b>	90°	<b>I</b>	IOT
AL574414	80w	100w	13600	<b>3</b>	3000K			<b>1</b>	100% / 30% (motion/stand-by)
AL574415	100w	100w	17000	<b>2</b>	2700K			<b>2</b>	70% of lumens constant ON
AL5744-RC	Remote control								

• IOT system: monitoring and manage remote background data, real-time status of each Cyclone™ solar energy component.

## 12 Hour Cycle Lumen Output

Turns on when sunlight is  $\leq 6$  lux



Day light (off)



Motion



Stand-by  
after 15 seconds no motion

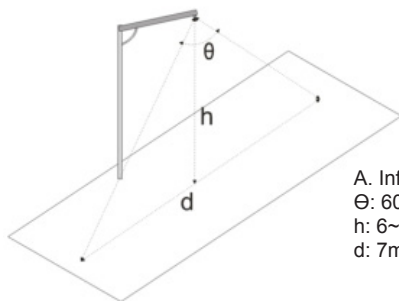
Hours of operation		
• First 2 hours	100%	30%
• Next 3 hours	50%	20%
• Next 6 hours	20%	10%
• Last hour	30%	10%

NOTE: SELECTING OPTION "2" = CONSTANT LUMEN OUTPUT WILL REMAIN ON FOR AT LEAST 12 HOURS, NO SENSOR / STANDBY OPTION

## Specifications

Fixture	30w	40w	50w	60w	80w	100w
Solar Panel	40w	50w	60w	80w	100w	100w
	18v	18v	18v	18v	18v	18v
Battery	18AH	24AH	27AH	33AH	42AH	55AH
	12.8v	12.8v	12.8v	12.8v	12.8v	12.8v
Charging time	6 Hrs	6 Hrs	6 Hrs	6 Hrs	6 Hrs	6 Hrs
Cloudy days	3-5	3-5	3-5	3-5	3-5	3-5
Working hours	12 Hrs	12 Hrs	12 Hrs	12 Hrs	12 Hrs	12 Hrs

## Sensor Range



A. Infrared  
 $\theta$ : 60°  
 h: 6~8m  
 d: 7m

B. Microwave  
 $\theta$ : 60°  
 h: 6~10m  
 d: 9m

## Tests

**Salt Spray**-has no rust after testing 1000 hours, standard testing requirement is no less than 100,000 hours, PASS

## Components Lifetime

Solar Panel 25 years  
 Battery 5 years  
 Battery Life cycles >2500  
 LED Chip 100,000 hours

## Notes

- Wind resistance rating 145 mph
- Selecting option "2" = 70% constant lumen output will remain on for 10-12 hours, no sensor/standby option
- Battery Life cycles 2500 = 2800 days
- If the battery is not used more than 5-6 months, it will die. Suggested to charge battery every 3 months.

EPA Horizontal:  
 30W: 2.41ft\*1.22ft\*0.86=2.53ft²  
 40W: 2.89ft\*1.22ft\*0.86=3.03ft²  
 50W: 3.25ft\*1.22ft\*0.86=3.41ft²  
 60W: 4.44ft\*1.22ft\*0.86=4.66ft²  
 80W: 4.86ft\*1.22ft\*0.86=5.10ft²  
 100W: 4.86ft\*1.22ft\*0.86=5.10ft²

EPA with angle:  
 30W: 2.41ft\*1.22ft\*0.7=2.06ft²  
 40W: 2.89ft\*1.22ft\*0.7=2.47ft²  
 50W: 3.25ft\*1.22ft\*0.7=2.78ft²  
 60W: 4.44ft\*1.22ft\*0.7=3.79ft²  
 80W: 4.86ft\*1.22ft\*0.7=4.15ft²  
 100W: 4.86ft\*1.22ft\*0.7=4.15ft²

## Packing Information

Model	CBM (Master)	Pieces/master	Box Dimensions (cm)	Gross weight (Kg)
30w	0.0679	1	83 x 45.5 x 18	11.7
40w	0.0798	1	97.5 x 45.5 x 18	13.1
50w	0.0886	1	108.3 x 45.5 x 18	14
60w	0.1185	1	144.7 x 45.5 x 18	17.1
80w / 100w	0.1291	1	157.7 x 45.5 x 18	20.4



## Equinox™ Series

30w/40w/60w/80w/100w



- Type II**
- IP65**    **IK08**
- Lumens** 170 L/W    **CCT** 5700K    **CRI** 70
- LifePO4 Battery**    **-20°C-50°C**    **5 YEAR Warranty**
- 50,000**

The sun comes up every day; that's the definition of renewable energy. Protecting property, people and assets is one of the key jobs of exterior lighting. Solar LED lighting not only offers better visibility, but also security from brownouts and blackouts. The lights are always there when you need them and can adapt to almost any application.

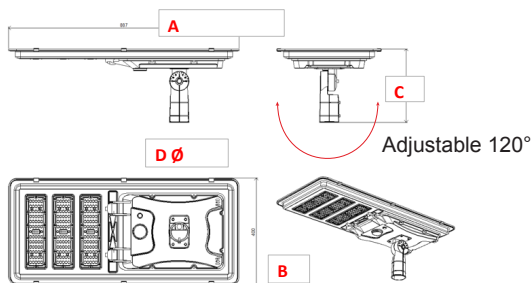
Equinox™ Series "All in One" solar street light was specially designed to illuminate a wide range of applications, is the world's most efficient LED Solar lighting system, with a stunning up to 170 lxw. Its clever design and slim line construction incorporate the latest solar power and LED technology, Lumileds 2835 LED Chips, providing many years of consistent performance and operational reliability. We offer Type II for Roadways and Street applications.

Equinox™ Series rugged construction is up for the challenge, IK08 rating. Its internal components offer IP65 weather protection with marine grade die cast aluminum and stainless-steel fixings. Equinox™ Series components are the most advanced available in the market. An integrated monocrystalline silicon solar panel, with a conversion rate up to 21.6%, and 25-years lifespan. LiFePO4 battery system: a non-heavy lithium iron phosphate battery, combined with Dual Protection Technology (charge and discharge/high temperature performance / large current discharge) with a lifespan 2200 cycles. Microwave Sensor allows detection up to 10m mounting high and a perimeter of 6-8 meters with a 120° angle in all direction.

Equinox™ Solar fixture has a built-in passive microwave motion sensor that automatically regulates the LED light output from full brightness to a lower level depending upon the detection of movement around the light.

Equinox™ Series has been designed to withstand the harshest and most extreme environments has to offer, from blistering heat to driving rain, hail and sub-zero temperatures.

### Dimensions (mm)



Model		A	B	C	D Ø
30w/40w	2 LED Bars	700	350	150	60
60w	3 LED Bars	887	400	280	60
80w	4 LED Bars	1160	400	280	76
100w	5 LED Bars	1435	400	280	76

Suitable for pole diameter 60-76mm

### Ordering information

Item	Watts	Solar Panel	Lumens	CCT	Option
AL770009	30w	40w	5100	<b>Blank</b> 5700K	<b>Blank</b> 100% / 30% (Mode 1)
AL770010	40w	40w	6800	<b>6</b> 6500K	<b>X</b> 100% / 40% (Mode 2)
AL770011	60w	60w	10200	<b>5</b> 5000K	<b>Y</b> 70% / 30% (Mode 3)
AL770012	80w	80w	13600	<b>4</b> 4000K	
AL770013	100w	100w	17000	<b>3</b> 3000K	
				<b>2</b> 2700K	

#### Remote Controls

AL770017	On/Off
AL770018	Mode Set up 40w-80w
AL770019	Mode Set up 100w

## 12 Hour Cycle Lumen Output

Turns on when sunlight is  $\leq 6$  lux



Day light (off)



Motion



Stand-by  
after 30 seconds no motion

### Mode 1

Hours of operation	Motion	Stand-by
• First 2 hours	100%	30%
• Next 3 hours	80%	30%
• Next 6 hours	60%	20%
• Last hour	20%	20%

**NOTE:** Stand-by operates at 30% brightness. When motion is detected, light increases to 100% until no motion is detected for 30 seconds, then returns to 30% brightness.

### Mode 2

Hours of operation	Motion	Stand-by
• First 2 hours	100%	40%
• Next 3 hours	70%	30%
• Next 6 hours	50%	20%
• Last hour	30%	10%

**NOTE:** Stand-by operates at 40% brightness. When motion is detected, light increases to 100% until no motion is detected for 30 seconds, then returns to 40% brightness.

### Mode 3

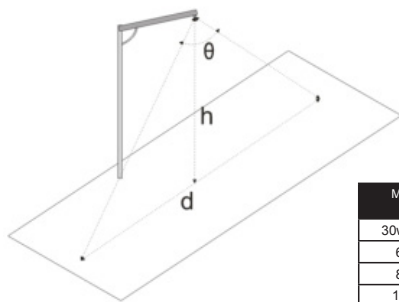
Hours of operation	Motion	Stand-by
• 12 Hours	70%	30%

**NOTE:** Stand-by operates at 30% brightness for 12 hours. When motion is detected, light increases to 70% until no motion is detected for 30 seconds, then returns to 30% brightness.

## Specifications

Fixture	30w	40w	60w	80w	100w
Mono-crystalline Solar Panel	40w	40w	60w	80w	100w
	18v	18v	18v	18v	36v
LiFePO <sub>4</sub> Battery	36AH	36AH	42AH	54AH	36AH
	12.8	12.8v	12.8v	12.8v	25.6v
Charging time	5Hr	5 Hrs	5 Hrs	5 Hrs	5 Hrs
Cloudy days	3-5	3-5	3-5	3-5	3-5
Working hours	12 Hrs	12 Hrs	12 Hrs	12 Hrs	12 Hrs

## Sensor Range-Microwave



Microwave  
 $\Theta$ : 120°  
 h: 10~12m  
 d: 6-8m

Model	Install Height	Detector Height
30w/40w	4-6M	6-8M
60w	4-6M	6-8M
80w	6-8M	6-8M
100w	8-10M	6-8M

## Components Lifetime

Mono-crystalline Solar Panel: 25 years  
 LifePO<sub>4</sub> Battery : 3-5 years  
 Battery Life cycles 2200  
 LED Chips: 50,000 hours

## Notes

- Wind resistance: 6-8 Level
- IK06 for Solar Panel
- Battery Life cycles 2200 = 2400 days
- Low traffic of people = Recommended mode 3  
 High traffic of people = Recommended mode 1 or 2
- If the battery is not used more than 5-6 months, it will die.  
 So it must be charged or recharged before 5-6 months.
- 30w & 40w = PWM
- 60w & 100w = MPPT

## Packing Information

Model	CBM (Master)	Pieces/master	Box Dimensions (cm)	Gross weight (Kg)
30w/40w	0.0408	1	85 x 40 x 12	9
60w	0.0559	1	103.5 x 45 x 12	11.3
80w	0.0707	1	131 x 45 x 12	16
100w	0.0856	1	158.5 x 45 x 12	18.5

## Solare™ Series

17w/25w/35w



The sun comes up every day; that's the definition of renewable energy. Protecting property, people and assets is one of the key jobs of exterior lighting. Solar LED lighting not only offers better visibility, but also security from brownouts and blackouts. The lights are always there when you need them and can adapt to almost any application.

Solare™ Series "All in One" solar street light was specially designed to illuminate a wide range of applications, is the world's most efficient LED Solar lighting system, with a stunning up to 171 lxw. Its clever design and slim line construction incorporate the latest solar power and LED technology, Lumileds 2835 LED Chips, providing many years of consistent performance and operational reliability. We offer Type II for Roadways and Street applications.

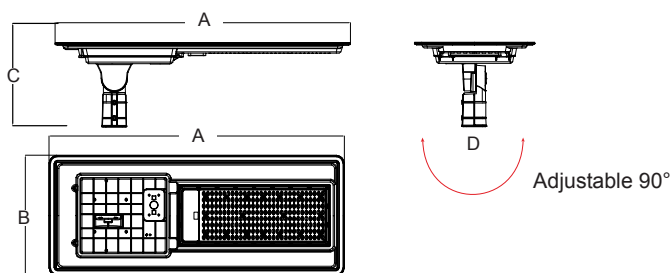
Solare™ Series rugged construction is up for the challenge, IK08 rating. Its internal components offer IP65 weather protection with marine grade die cast aluminum and stainless-steel fixings. Solare™ Series components are the most advanced available in the market. An integrated monocrystalline silicon solar panel, with a conversion rate up to 19.10%, and 20-years lifespan. LiFePO4 battery system: a non-heavy lithium iron phosphate battery, combined with Dual Protection Technology (charge and discharge/ high temperature performance / large current discharge) with a lifespan 2,000 cycles. Microwave Sensor allows detection up to 8m mounting high and a perimeter of 6-8 meters with a 120° angle in all direction.

Solare™ Solar fixture has a built-in passive microwave motion sensor that automatically regulates the LED light output from full brightness to a lower level depending upon the detection of movement around the light.

Solare™ Series has been designed to withstand the harshest and most extreme environments has to offer, from blistering heat to driving rain, hail and sub-zero temperatures.

- Type II**
- IP65**
- IK08**
- Lumens**  
up to  
171 L/W
- CCT**  
27K-65K
- CRI**  
70
- LiFePO4**  
Battery
- 15°C~60°C
- 50,000
- 3**  
YEAR  
Warranty

### Dimensions (mm)



Model	A	B	C	D Ø
17w	506	206	228	60
25w	611	329	228	60
35w	850	347	242	60

Suitable for pole diameter 60mm

### Ordering information

Item	Watts	Solar Panel	Lumens	CCT
AL770004	17w	25w	2800	<b>Blank</b> 6500K
AL770005	25w	35w	4000	<b>6</b> 6000K
AL770006	35w	50w	6000	<b>5</b> 5000K
				<b>4</b> 4000K
				<b>3</b> 3000K
				<b>2</b> 2700K



## 12 Hour Cycle Lumen Output

Turns on when sunlight is  $\leq 6$  lux



Day light (off)



Motion



Stand-by  
after 20 seconds no motion

### Working Modes:

Mode 1: Light Mode, Automatically operates at 60% brightness for 5 hours, then changes to sensor mode.

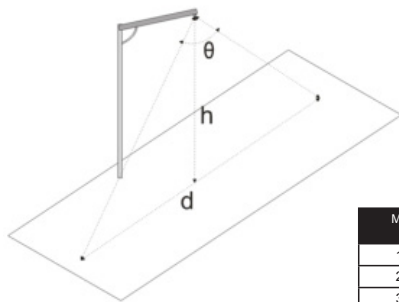
Mode 2: Sensor Mode, Automatically operates at 20% brightness.

When motion is detected, light increases to 100% until no motion is detected for 20 seconds, then returns to 20% brightness.

## Specifications

Fixture	17w	25w	35w
Mono-crystalline Solar Panel	25w	35w	50w
	18v	18v	18v
LiFePO <sub>4</sub> Battery	30AH	42AH	72AH
	3.2v	3.2v	3.2v
Charging time	4-6 Hr	4-6 Hrs	4-6 Hrs
Working hours	12 Hrs	12 Hrs	12 Hrs

## Sensor Range-Microwave



Microwave  
 $\Theta$ : 120°  
 h: 8m  
 d: 6-8m

Model	Install Height	Detector Height
17w	3-4M	6-8M
25w	4-6M	6-8M
35w	5-8M	6-8M

## Components Lifetime

Mono-crystalline Solar Panel: 20 years  
 LifePO<sub>4</sub> Battery : 5 years  
 Battery Life cycles 2000  
 LED Chips: 50,000 hours

## Notes

- Wind resistance: 6-8 Level
- IK06 for Solar Panel
- Battery Life cycles 2000 = 2000 days
- Lumen:  
 5000K - 6500K = Up to 171  
 2700K - 4000K = Up to 162
- CCT tolerance =  $\pm 300$ K
- If the battery is not used more than 5-6 months, it will die. So it must be charged or recharged before 5-6 months.
- MPPT Controller & Microwave Sensor
- Type II Distribution = 140° x 70° Beam Angle
- On/Off Switch:  
 Press one time: will turn on and keep light mode  
 Press a second time: it will change to sensor mode  
 Press a third time: will turn off
- Remote Control (RC) Functions:  
 On/ Off  
 Timer  
 Change to Sensor Mode

## Packing Information

Model	CBM (Master)	Pieces/master	Box Dimensions (cm)	Gross weight (Kg)
17w	0.0590	2	52 x 30 x 37.5	5
25w	0.0760	2	62 x 30 x 41	7
35w	0.1110	2	86 x 30 x 43	9.3

## Solstice™ Series

1000/2000/3000 lumens



The sun comes up every day; that's the definition of renewable energy. Protecting property, people and assets is one of the key jobs of exterior lighting. Solar LED lighting not only offers better visibility, but also security from brownouts and blackouts. The lights are always there when you need them and can adapt to almost any application.

Solstice™ Series "All in One" solar streetlight was specially designed to illuminate a wide range of applications, with the simplest operation system. We have integrated an IR (Radar Sensor) inside the fixture's control panel to offer a wide range of setting modes using the remote control. From *Radar Sensing Mode to Constant Light Up Mode to Timing Mode*, we offer them all. When *Constant Light Up Mode* is selected, Solstice™ Series turn on at night when sunlight is below 10Lux and will turn off when light levels are > 50 lux; constant lumen output for a full 12 hour cycle, same as a non-solar fixture, but without any power or utility costs. Its clever design incorporates the latest solar power and LED technology, providing many years of consistent performance and operational reliability. Lighting distribution Type II-M.

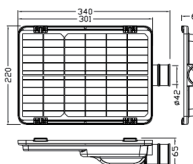
Solstice™ Series rugged construction is up for the challenge, IK08 rating and IP66 weather protection with marine grade aluminum and stainless-steel fixings. Solstice™ Series components are the most advanced available in the market. San'an® 3030 LED Chips, an integrated monocrystalline silicon solar panel, with a conversion rate up to 19.8%, and 25-years lifespan. LiFePO4 battery system: a non-heavy lithium iron phosphate battery, combined with Dual Protection Technology offering a powerful lifespan > 2000 cycles.

Solstice™ Series has been designed to withstand the harshest and most extreme environments has to offer, from blistering heat to driving rain, hail, and sub-zero temperatures.

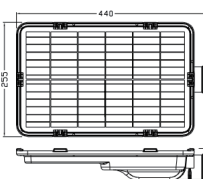


### Dimensions (mm)

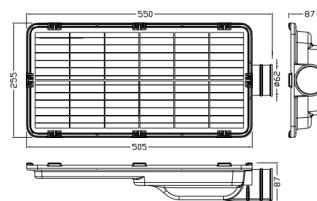
1000 lms (for pole diameter: 40-42mm)



2000 lms (for pole diameter: 50-52mm)



3000 lms (for pole diameter: 60-62mm)



### Specifications

Fixture (lumens)	1000	2000	3000
Solar Panel	6v 10w	6v 15w	6v 20w
Battery	33-36WH	36-40WH	58-62WH
Voltage	3.2v	3.2v	3.2v
Charging time	4-5 Hrs	4-5 Hrs	4-5 Hrs
Cloudy days	3-4	3-4	3-4
Working hours	12 Hrs	12 Hrs	12 Hrs

### Ordering information

Item	Lumens	Options
AL770001	1000	<b>Blank</b> 6000K
AL770002	2000	<b>5</b> 5000K
AL770003	3000	<b>4</b> 4000K
		<b>3</b> 3000K

### Notes

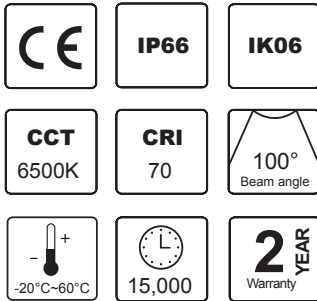
- Remote control function
- 1. 'OFF': Turn off the fixture.
- 2. 'Induction': (Radar sensing mode) Once moving object detected, light up 100% automatically, and light dimming to 10% once pedestrian leave away.
- 3. 'Always': (Constant light up mode) Working time: 70% for 1-2 hrs, 50% for 3 hrs, then 20% for 8 hrs.
- 4. '2H': (Timing mode) Working time: 70% for 1 hour, 50% for 1 hour, then light work as Radar sensing mode.
- 5. '4H': (Timing mode) Working time: 70% for 1 hour, 50% for 3 hrs, then light work as Radar sensing mode.
- 6. '6H': (Timing mode) Working time: 70% for 1 hour, 50% for 3 hrs, and 20% for 2 hrs, then light work as Radar sensing mode.
- Wind resistance rating 65m/s
- Salt Spray has no rust after testing 400 hours
- EPA: 1000w = 0.7ft<sup>2</sup>  
2000w = 1.05 ft<sup>2</sup>  
3000w = 1.31 ft<sup>2</sup>
- Battery Life cycle > 2500 = 2800 days
- If the battery is not used more than 5-6 months, it will die. Suggested to charge battery every 3 months.

### Packing Information

Model	CBM (Master)	Pieces/Master	Master Carton Dimensions (cm)	Gross weight (Kg)
1000 lumens	0.0406	1	47 x 36 x 24	8
2000 lumens	0.0556	1	45.5 x 44.5 x 27.5	12
3000 lumens	0.0621	1	56.5 x 40 x 27.5	13



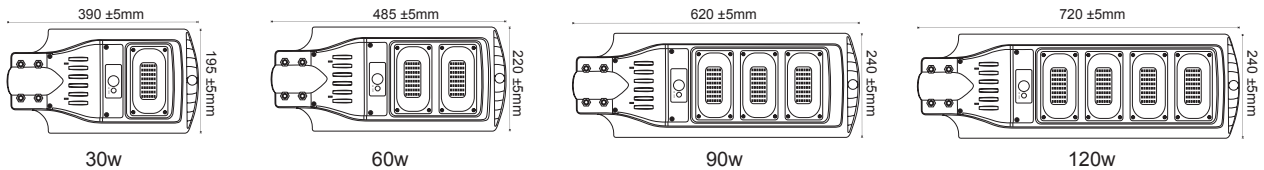
The sun comes up every day; that's the definition of renewable energy. Solar street lighting can be used on highways, roadways, rural roads and neighborhood streets to provide additional security to travelers. Dark streets can be a hazard to pedestrians and vehicle travelers alike. Protecting property, people and assets is one of the key jobs of exterior lighting. Security through lighting has been instrumental to deter crime and improve security to the public, business and residential spaces. Solar LED lighting not only offers better visibility, but also security from brownouts and blackouts. The lights are always there when you need them and can adapt to almost any application without additional trenching or added utility costs.



Sentinel™ Series "All in One" solar street light was designed to illuminate a wide range of applications for limited budget projects. Turns on when sunlight is  $\leq 50$  lux, operates @ 100% lumen output, after 15 sec of no motion it turns to 30% lumen output. Its working cycle of 10-12 hours allows to serve efficiently, and recharges in 5-6 hours. It can operate up to 2 days without full charge. Recommended mounting 4-6m. Sentinel™ Series will provide an Irradiation area up to 200m<sup>2</sup>.

LED solar lights require very little maintenance and are easier to install than their wired counterparts. Underground wiring, on-site transformers and electrical enclosures are typically more costly than installing new solar lights. LED technology means that the lamps require fewer replacements, can be controlled and provide significant energy savings over traditional lamps. Solar means there is no electric bill...ever.

### Dimensions (mm)



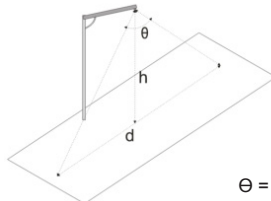
Suitable for pole diameter:  $\varnothing$  45-52mm (max)

### Specifications

Nominal Power	30w	60w	90w	120w
Working Power	4w	8w	12w	13.5
Solar Panel (DC6V)	8w	12w	15w	18w
Battery	5AH	10AH	15AH	18 AH
Charging time	5-6Hrs	5-6 Hrs	5-6Hrs	5-6 Hrs
Cloudy days	2	2	2	2
Working hrs (@ full power up to)	10-12	10-12	10-12	10-12
Stand by	12 Hrs	12 Hrs	12 Hrs	12 Hrs
Irradiation area	80m <sup>2</sup>	120m <sup>2</sup>	160m <sup>2</sup>	200m <sup>2</sup>

- Turns on when sunlight is  $\leq 50$  lux
- Motion: 100% lumen output
- Stand-by (after 15 sec no motion) 30% lumen output
- Battery: 32650 Lithium phosphate DC3.2V
- Battery Life cycles 1000 =1000 days
- Remote Control included

### Sensor range



$$\Theta = 100^\circ \quad H = 6-8m \quad D = 6m$$

### Components Lifetime

Solar Panel	Up to 3 years
Battery	1000 cycles*
LED Chip	20,000 hours

\* If the battery is not used more than 5-6 months, it will die. So it must be charged or recharged before 5-6 months.

### Ordering information

Item	Watts	Lumens
AL574407	30w	500
AL574408	60w	900
AL574409	90w	1400
AL574420	120w	1600

### Packing information

Model	CBM (Master)	Pieces/master	Box Dimensions (cm)	Gross weight (Kg)
30w	0.0559	10	41 x 32.5 x 42	14
60w	0.0390	5	50 x 32.5 x 24	10.5
90w	0.0540	5	64 x 32.5 x 26	12.5
120w	0.0625	5	74 x 32.5 x 26	15



## Warranty

---

Americanlite® is pleased to provide a 7, 5 or 2 year limited warranty covering the LED fixtures on this catalogue. Americanlite® warrants that the LED fixtures comply with Americanlite®'s published specifications and are free from defects in materials and workmanship.

All our equipment is CE, ETL or UL approved and manufactured with approved components. Americanlite® reserves the right to change or improve the design or components of any of its products due to parts availability or changes in standards, without assuming any obligation to modify any product previously manufactured and without notice. All equipment is tested and inspected before shipment.

This warranty is void if the product is operated outside of its normal operating conditions. The foregoing warranty does not apply to failures caused by acts of God or as a result of any abuse, misuse, abnormal use, or use in violation of any applicable standard, code or instructions for use in installations, including, but not limited to, those contained in the Standards for the International Electrotechnical Commission. Americanlite® reserves and has the right to examine failed fixtures to determine the cause of failure, excessive lumen depreciation and patterns of usage.