

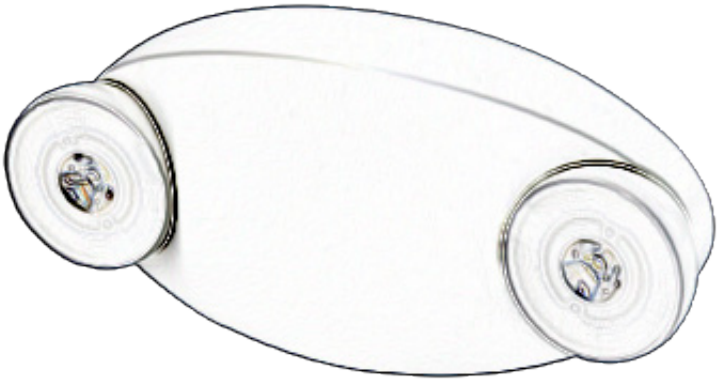


Emergency

americanlite®

We light your world™





STANDARD



ILLUMINATION

- Long lasting, efficient ultra-bright white LED lamp heads.
- 1.6 watts (8 LEDs x .1watt per head) total 150 lumen output.
- High-performance chrome-plated metalized reflector and plastic lens for optimal light distribution.
- Adjustable LED lamp heads provide optimal center-to-center spacing.

ELECTRICAL

- Dual 120V/277V 50-60Hz
- Charge rate/power "ON" LED indicator light and push to test switch for mandated code compliance testing.
- 3.6V600mAh long-life, maintenance-free, rechargeable NiCd battery.
- Internal solid-state transfer switch automatically connects the internal battery to LED lamp heads for minimum 90-minute emergency illumination.
- Fully automatic solid-state, two-rate charger initiates battery charging to recharge a discharged battery in 24 hours.
- Low voltage battery disconnection preventing deep discharge damage to the battery.

MOUNTING

- Universal mounting plate with EZ quick connect for rapid installation.
- Suitable for wall or ceiling mount.

HOUSING

- Injection-molded, engineered grade 5VA flame retardant, high-impact resistant, thermoplastic in white finish. Flame retardant rating up to 850C.

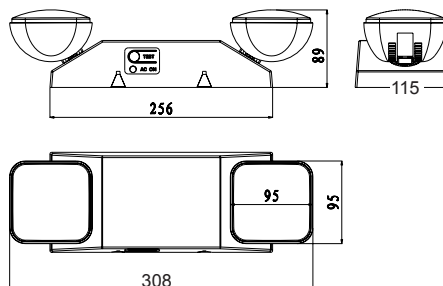
OPTIONS

- SDT: Self-diagnostic feature performs monthly, biannual and annual tests to ensure reliable operation and meet electrical and life safety codes.

WARRANTY/LISTING

- Five year warranty on all electronics and housing. Batteries three years.
- UL listed for indoor damp locations. (0°C – 40°C)
- Meets UL924, NFPA 101, NEC and OSHA illumination standards.

DIMENSIONS (MM)



ORDERING INFORMATION

Model	Housing Color	Options
ALEDR1	White	SDT Self-diagnostic

PACKING INFORMATION

Pieces per master	Box Dimensions (cm)	CBM (Master)	Gross weight (Kg)
6	40.7x32.5x23	0.0304	5.1

NOTES:

- AC input and battery output include fuse to prevent fire from overload current. Once current is overloaded the fuse will break and needs to be replaced by a professional.
- Damp location is only for low or high temperature operation not for dust-proof or water-proof
- Batteries must be charged every 18 months to ensure product conservation.
- Specifications and dimensions subject to change without notice.

STANDARD



ILLUMINATION

- Long lasting, efficient ultra-bright white LED lamp heads.
- 2.4 watts (4 LEDs x 0.3 per head) total 270 lumen output.
- High-performance chrome-plated metalized reflector and plastic lens for optimal light distribution.
- Adjustable LED lamp heads provide optimal center-to-center spacing.

ELECTRICAL

- 120V-277V 50-60Hz
- Charge rate/power "ON" LED indicator light and push to test switch for mandated code compliance testing.
- 3.6V 1000mAh long-life, maintenance-free, rechargeable NiCd battery.
- Internal solid-state transfer switch automatically connects the internal battery to LED lamp heads for minimum 90-minute emergency illumination.
- Fully automatic solid-state, two-rate charger initiates battery charging to recharge a discharged battery in 24 hours.
- Low voltage battery disconnection preventing deep discharge damage to the battery.

MOUNTING

- Universal mounting plate with EZ quick connect for rapid installation.
- Suitable for wall or ceiling mount.

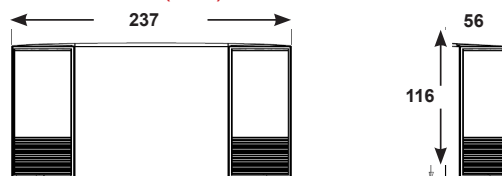
HOUSING

- Injection-molded, engineered grade 5VA flame retardant, high-impact resistant, thermoplastic in white finish. Flame retardant rating up to 850C.

WARRANTY/LISTING

- Five year warranty on all electronics and housing. Batteries three years.
- UL listed for indoor damp locations. (0°C – 40°C)
- Meets UL924, NFPA 101, NEC and OSHA illumination standards.

DIMENSIONS (MM)



ORDERING INFORMATION

Model	Housing Color
ALEDR2	White

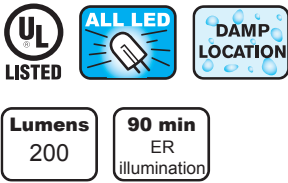
PACKING INFORMATION

Pieces per master	Box Dimensions (cm)	CBM (Master)	Gross weight (Kg)
12	40x27x28.2	0.0304	7

NOTES:

- AC input and battery output include fuse to prevent fire from overload current. Once current is overloaded the fuse will break and needs to be replaced by a professional.
- Batteries must be charged every 18 months to ensure product conservation.
- Damp location is only for low or high temperature operation not for dust-proof or water-proof
- Specifications and dimensions subject to change without notice.

STANDARD



ILLUMINATION

- Long lasting, efficient ultra-bright white LED lamp heads.
- 2.4 watts (12 LEDs x 0.1 watt per head) total 200 lumen output.
- High-performance chrome-plated metalized reflector and plastic lens for optimal light distribution.
- Fixed LED lamp heads provide optimal center-to-center spacing.

ELECTRICAL

- Dual 120V/277V 50/60Hz
- Charge rate/power "ON" LED indicator light and push to test switch for mandated code compliance testing.
- 3.6V 1000mAh long-life, maintenance-free, rechargeable NiCd battery.
- Internal solid-state transfer switch automatically connects the internal battery to LED lamp heads for minimum 90-minute emergency illumination.
- Fully automatic solid-state, two-rate charger initiates battery charging to recharge a discharged battery in 24 hours.
- Low voltage battery disconnection preventing deep discharge damage to the battery.

MOUNTING

- Universal mounting plate with EZ quick connect for rapid installation.
- Suitable for wall or ceiling mount.

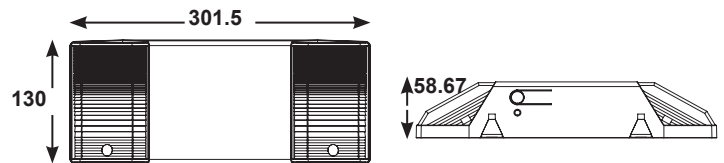
HOUSING

- Injection-molded, engineered grade 5VA flame retardant, high-impact resistant, thermoplastic in white finish. Flame retardant rating up to 850C.

WARRANTY/LISTING

- Five year warranty on all electronics and housing. Batteries three years.
- UL listed for indoor damp locations. (0°C – 40°C)
- Meets UL924, NFPA 101, NEC and OSHA illumination standards.

DIMENSIONS (MM)



ORDERING INFORMATION

Model	Housing Color	Options
LEDR2F	White	SDT Self diagnostic

PACKING INFORMATION

Pieces per master	Box Dimensions (cm)	CBM (Master)	Gross weight (Kg)
6	32x29.5x26	0.0245	4.9

NOTES:

- AC input and battery output include fuse to prevent fire from overload current. Once current is overloaded the fuse will break and needs to be replaced by a professional.
- Batteries must be charged every 18 months to ensure product conservation.
- Damp location is only for low or high temperature operation not for dust-proof or water-proof.
- Specifications and dimensions subject to change without notice.

STANDARD



ILLUMINATION

- Long lasting, efficient ultra-bright white LED lamp heads.
- 2.0 watts (1.0 watt per head) total 241 lumen output.
- High-performance chrome-plated metalized reflector and plastic lens for optimal light distribution.
- Adjustable LED lamp heads provide optimal center-to-center spacing.

ELECTRICAL

- Universal 120V-277V 50-60Hz
- Charge rate/power "ON" LED indicator light and push to test switch for mandated code compliance testing.
- 3.6V 1000mAH long-life, maintenance-free, rechargeable NiCd battery.
- Internal solid-state transfer switch automatically connects the internal battery to LED lamp heads for minimum 90-minute emergency illumination.
- Fully automatic solid-state, two-rate charger initiates battery charging to recharge a discharged battery in 24 hours.
- Low voltage battery disconnection preventing deep discharge damage to the battery.

MOUNTING

- Universal mounting plate with EZ quick connect for rapid installation.
- Suitable for wall or ceiling mount.

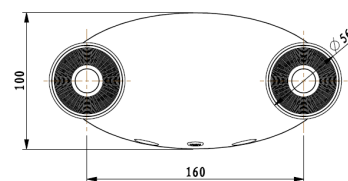
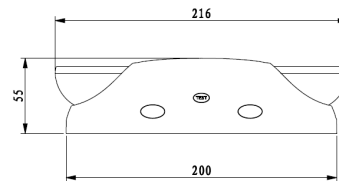
HOUSING

- Injection-molded, engineered grade 5VA flame retardant, high-impact resistant, thermoplastic in white finish. Flame retardant rating up to 850C.

WARRANTY/LISTING

- Five year warranty on all electronics and housing. Batteries three years.
- UL listed for indoor damp locations. (0°C – 40°C)
- Meets UL924, NFPA 101, NEC and OSHA illumination standards.

DIMENSIONS (MM)



ORDERING INFORMATION

Model	Housing Color
LEDR3	White

PACKING INFORMATION

Pieces per master	Box Dimensions (cm)	CBM (Master)	Gross weight (Kg)
12	36x24.5x27.5	0.0242	6

NOTES:

- AC input and battery output include fuse to prevent fire from overload current. Once current is overloaded the fuse will break and needs to be replaced by a professional.
- Damp location is only for low or high temperature operation not for dust-proof or water-proof.
- Batteries must be charged every 18 months to ensure product conservation.
- Specifications and dimensions subject to change without notice.

STANDARD



Lumens
200

90 min
ER
illumination



ILLUMINATION

- Long lasting, efficient ultra-bright white LED lamp heads.
- 2.0 watts (1.0 watt per head) total 200 lumen output.
- High-performance chrome-plated metalized reflector and plastic lens for optimal light distribution.
- Adjustable LED lamp heads provide optimal center-to-center spacing.

ELECTRICAL

- 120V-277V 50-60Hz
- Charge rate/power "ON" LED indicator light and push to test switch for mandated code compliance testing.
- 3.6V 1000mAH long-life, maintenance-free, rechargeable NiCd battery.
- Cable 18AWG / 1 meter, american plug
- Internal solid-state transfer switch automatically connects the internal battery to LED lamp heads for minimum 90-minute emergency illumination.
- Fully automatic solid-state, two-rate charger initiates battery charging to recharge a discharged battery in 24 hours.
- Low voltage battery disconnection preventing deep discharge damage to the battery.

MOUNTING

- Universal mounting plate with EZ quick connect for rapid installation.
- Suitable for wall or ceiling mount.

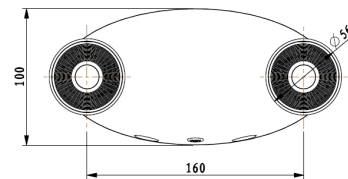
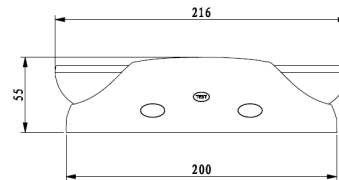
HOUSING

- Injection-molded, engineered grade 5VA flame retardant, high-impact resistant, thermoplastic in white finish.

WARRANTY/LISTING

- Five year warranty on all electronics and housing. Batteries three years.
- Suitable for use indood damp location temp (0°C – 40°C)

DIMENSIONS (MM)



ORDERING INFORMATION

Model	Housing Color
LEDR3C	White

PACKING INFORMATION

Pieces per master	Box Dimensions (cm)	CBM (Master)	Gross weight (Kg)
12	40 x 23.5 x 25.5	0.0239	6

NOTES:

- AC input and battery output include fuse to prevent fire from overload current. Once current is overloaded the fuse will break and needs to be replaced by a professional.
- Damp location is only for low or high temperature operation not for dust-proof or water-proof.
- Batteries must be charged every 18 months to ensure product conservation.
- Specifications and dimensions subject to change without notice.

STANDARD



ILLUMINATION

- Long lasting, efficient ultra-bright white LED lamp heads.
- 2.0 watts (1.0 watt per head) total 241 lumen output.
- High-performance chrome-plated metalized reflector and plastic lens for optimal light distribution.
- Adjustable LED lamp heads provide optimal center-to-center spacing.

ELECTRICAL

- Universal 120V-277V 50-60Hz
- Charge rate/power "ON" LED indicator light and push to test switch for mandated code compliance testing.
- 3.6V 1000mAH long-life, maintenance-free, rechargeable NiCd battery.
- Internal solid-state transfer switch automatically connects the internal battery to LED lamp heads for minimum 90-minute emergency illumination.
- Fully automatic solid-state, two-rate charger initiates battery charging to recharge a discharged battery in 24 hours.
- Low voltage battery disconnection preventing deep discharge damage to the battery.

MOUNTING

- Universal mounting plate with EZ quick connect for rapid installation.
- Suitable for wall or ceiling mount.

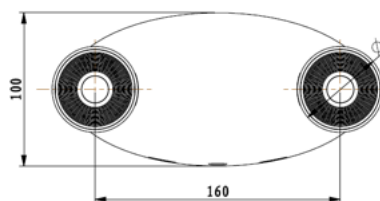
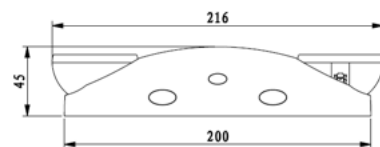
HOUSING

- Injection-molded, engineered grade 5VA flame retardant, high-impact resistant, thermoplastic in white finish. Flame retardant rating up to 850C.

WARRANTY/LISTING

- Five year warranty on all electronics and housing. Batteries three years.
- UL listed for indoor damp locations. (0°C – 40°C)
- Meets UL924, NFPA 101, NEC and OSHA illumination standards.

DIME



ORDERING INFORMATION

Model	Housing Color
LEDR3S	White

PACKING INFORMATION

Pieces per master	Box Dimensions (cm)	CBM (Master)	Gross weight (Kg)
12	36x24.5x23.5	0.020	6

NOTES:

- AC input and battery output include fuse to prevent fire from overload current. Once current is overloaded the fuse will break and needs to be replaced by a professional.
- Damp location is only for low or high temperature operation not for dust-proof or water-proof.
- Batteries must be charged every 18 months to ensure product conservation.
- Specifications and dimensions subject to change without notice.

STANDARD



ILLUMINATION

- Long lasting, efficient ultra-bright white LED lamp heads.
- 2.4 watts (12 LEDs x 0.1 watt per head) total 205 lumen output.
- High-performance chrome-plated metalized reflector and plastic lens for optimal light distribution.
- Adjustable LED lamp heads provide optimal center-to-center spacing.

ELECTRICAL

- 120V-277V 50-60Hz
- Charge rate/power "ON" LED indicator light and push to test switch for mandated code compliance testing.
- 3.6V 1000mAH long-life, maintenance-free, rechargeable NiCd battery.
- Internal solid-state transfer switch automatically connects the internal battery to LED lamp heads for minimum 90-minute emergency illumination.
- Fully automatic solid-state, two-rate charger initiates battery charging to recharge a discharged battery in 24 hours.
- Low voltage battery disconnection preventing deep discharge damage to the battery.

MOUNTING

- Universal mounting plate with EZ quick connect for rapid installation.
- Suitable for wall or ceiling mount.

HOUSING

- Injection-molded, engineered grade 5VA flame retardant, high-impact resistant, thermoplastic in white finish. Flame retardant rating up to 850C.

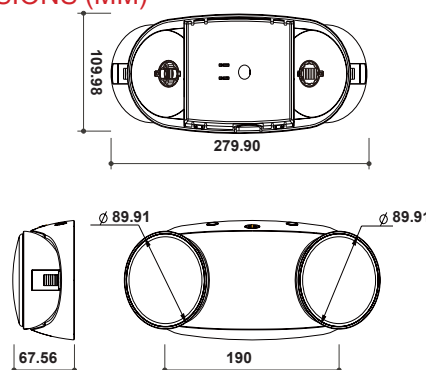
OPTIONS

- STD: Self-diagnostic feature performs monthly, biannual and annual tests to ensure reliable operation and meet electrical and life safety codes.

WARRANTY/LISTING

- Five year warranty on all electronics and housing. Batteries three years.
- UL listed for indoor damp locations. (0°C – 40°C)
- Meets UL924, NFPA 101, NEC and OSHA illumination standards.

DIMENSIONS (MM)



ORDERING INFORMATION

Model	Housing Color	Options
LEDR5	White	STD Self diagnostic

PACKING INFORMATION

Pieces per master	Box Dimensions (cm)	CBM (Master)	Gross weight (Kg)
6	30x23.5x24.5	0.0172	3.2

NOTES:

- AC input and battery output include fuse to prevent fire from overload current. Once current is overloaded the fuse will break and needs to be replaced by a professional.
- Damp location is only for low or high temperature operation not for dust-proof or water-proof.
- Batteries must be charged every 18 months to ensure product conservation.
- Specifications and dimensions subject to change without notice.

STANDARD



ILLUMINATION

- Long lasting, efficient ultra-bright white LED lamp heads.
- 2.4 watts (12 LEDs x 0.1 watt per head) total 205 lumen output.
- High-performance chrome-plated metalized reflector and plastic lens for optimal light distribution.
- Adjustable LED lamp heads provide optimal center-to-center spacing.

ELECTRICAL

- Dual 120V/277V 50/60Hz
- Charge rate/power "ON" LED indicator light and push to test switch for mandated code compliance testing.
- 3.6V 2000mAH long-life, maintenance-free, rechargeable NiCd battery.
- Internal solid-state transfer switch automatically connects the internal battery to LED lamp heads for **4 hours emergency illumination**.
- Fully automatic solid-state, two-rate charger initiates battery charging to recharge a discharged battery in 24 hours.
- Low voltage battery disconnection preventing deep discharge damage to the battery.

MOUNTING

- Universal mounting plate with EZ quick connect for rapid installation.
- Suitable for wall or ceiling mount.

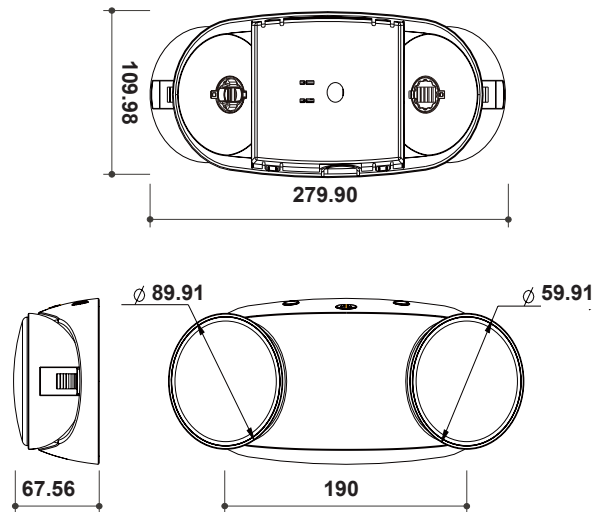
HOUSING

- Injection-molded, engineered grade 5VA flame retardant, high-impact resistant, thermoplastic in white finish. Flame retardant rating up to 850C.

WARRANTY/LISTING

- Five year warranty on all electronics and housing. Batteries three years.
- UL listed for indoor damp locations. (0°C – 40°C)
- Meets UL924, NFPA 101, NEC and OSHA illumination standards.

DIMENSIONS (MM)



ORDERING INFORMATION

Model	Housing Color
LEDR5D	White

PACKING INFORMATION

Pieces per master	Box Dimensions (cm)	CBM (Master)	Gross weight (Kg)
6	30x23.5x24.5	0.0172	4.5

NOTES:

- AC input and battery output include fuse to prevent fire from overload current. Once current is overloaded the fuse will break and needs to be replaced by a professional.
- Damp location is only for low or high temperature operation not for dust-proof or water-proof.
- Batteries must be charged every 18 months to ensure product conservation.
- Specifications and dimensions subject to change without notice.

STANDARD



ILLUMINATION

- Long lasting, efficient ultra-bright white LED lamp heads.
- 2.4 watts (12 LEDs x 0.2 watt per head) total 400 lumen output.
- High-performance chrome-plated metalized reflector and plastic lens for optimal light distribution.
- Adjustable LED lamp heads provide optimal center-to-center spacing.

ELECTRICAL

- Dual 120V/277V 50/60Hz
- Charge rate/power "ON" LED indicator light and push to test switch for mandated code compliance testing.
- 3.6V 2000mAH long-life, maintenance-free, rechargeable NiCd battery.
- Internal solid-state transfer switch automatically connects the internal battery to LED lamp heads for minimum 90-minute emergency illumination.
- Fully automatic solid-state, two-rate charger initiates battery charging to recharge a discharged battery in 24 hours.
- Low voltage battery disconnection preventing deep discharge damage to the battery.

MOUNTING

- Universal mounting plate with EZ quick connect for rapid installation.
- Suitable for wall or ceiling mount.

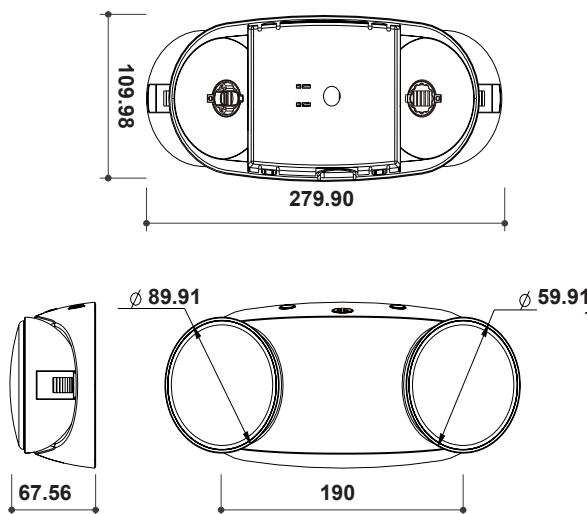
HOUSING

- Injection-molded, engineered grade 5VA flame retardant, high-impact resistant, thermoplastic in white finish. Flame retardant rating up to 850C.

WARRANTY/LISTING

- Five year warranty on all electronics and housing. Batteries three years.
- UL listed for indoor damp locations. (0°C – 40°C)
- Meets UL924, NFPA 101, NEC and OSHA illumination standards.

DIMENSIONS (MM)



ORDERING INFORMATION

Model	Housing Color	Options
LEDR5H	White	SDT Self diagnostic

PACKING INFORMATION

Pieces per master	Box Dimensions (cm)	CBM (Master)	Gross weight (Kg)
6	30x23.5x24.5	0.0172	4.5

NOTES:

- AC input and battery output include fuse to prevent fire from overload current. Once current is overloaded the fuse will break and needs to be replaced by a professional.
- Damp location is only for low or high temperature operation not for dust-proof or water-proof.
- Batteries must be charged every 18 months to ensure product conservation.
- Specifications and dimensions subject to change without notice.

STANDARD



ILLUMINATION

- Long lasting, efficient ultra-bright white LED lamp heads.
- 2.4 watts (12 LEDs x 0.2 watt per head) total 400 lumen output.
- High-performance chrome-plated metalized reflector and plastic lens for optimal light distribution.
- Adjustable LED lamp heads provide optimal center-to-center spacing.

ELECTRICAL

- Dual 120V/277V 50/60Hz
- Charge rate/power "ON" LED indicator light and push to test switch for mandated code compliance testing.
- 3.6V 2000mAH long-life, maintenance-free, rechargeable NiCd battery.
- Internal solid-state transfer switch automatically connects the internal battery to LED lamp heads for minimum 90-minute emergency illumination.
- Fully automatic solid-state, two-rate charger initiates battery charging to recharge a discharged battery in 24 hours.
- Low voltage battery disconnection preventing deep discharge damage to the battery.

MOUNTING

- Universal J-box mounting pattern.
- Suitable for wall or ceiling mount.

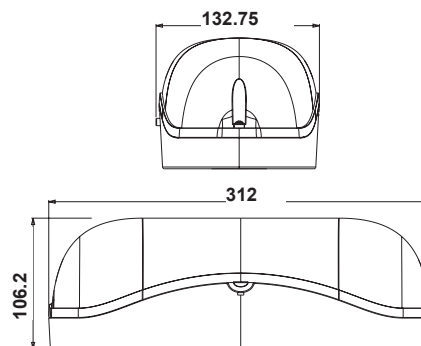
HOUSING

- Injection-molded, engineering-grade, high-impact resistant, thermoplastic in white finish and polycarbonate cover, 5VA flame retardant. Flame retardant rating up to 850C.

WARRANTY/LISTING

- Five year warranty on all electronics and housing. Batteries three years.
- UL listed for outdoor wet locations. (-20°C – 40°C)
- Meets UL924, NFPA 101, NEC and OSHA illumination standards.

DIMENSIONS (MM)



ORDERING INFORMATION

Model	Housing Color	Options
LEDR5WP	Blank White B Black G Gray	SDT Self diagnostic

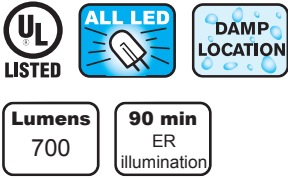
PACKING INFORMATION

Pieces per master	Box Dimensions (cm)	CBM (Master)	Gross weight (Kg)
6	45.2x34x27.5	0.0422	7

NOTES:

- AC input and battery output include fuse to prevent fire from overload current. Once current is overloaded the fuse will break and needs to be replaced by a professional.
- Batteries must be charged every 18 months to ensure product conservation.
- Specifications and dimensions subject to change without notice.

STANDARD



ILLUMINATION

- Long lasting, efficient ultra-bright white LED lamp heads.
- 4.5w per head Super Bright LED lamp heads for emergency mode, total 700 lumen output.
- Adjustable LED lamp heads provide optimal center-to-center spacing.

ELECTRICAL

- 120V-277V 50-60Hz
- Charge rate/power "ON" LED indicator light and push to test switch for mandated code compliance testing.
- 6V4AH long-life, lead acid battery.
- Internal solid-state transfer switch automatically connects the internal battery to LED lamp heads for minimum 90-minute emergency illumination.
- Fully automatic solid-state, two-rate charger initiates battery charging to recharge a discharged battery in 24 hours.
- Low voltage battery disconnection preventing deep discharge damage to the battery.

MOUNTING

- Universal J-box mountin pattern
- Suitable for wall mount applications

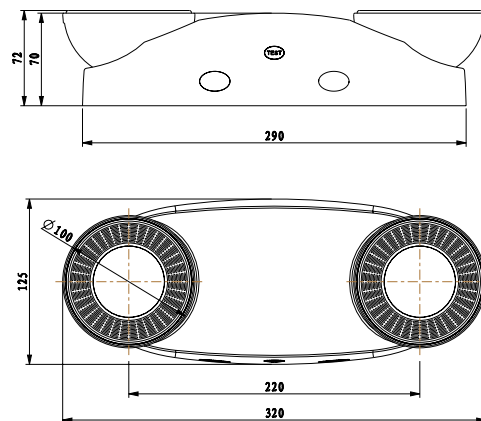
HOUSING

- Injection-molded, engineered grade 5VA flame retardant, high-impact resistant, thermoplastic in white finish. Flame retardant rating up to 850C.

WARRANTY/LISTING

- Five year warranty on all electronics and housing. Batteries three years.
- UL listed for indoor damp locations. (0°C – 40°C)
- Meets UL924, NFPA 101, NEC and OSHA illumination standards.

DIMENSIONS (MM)



ORDERING INFORMATION

Model	Housing Color	Options
LEDR6	White	SDT Self diagnostic

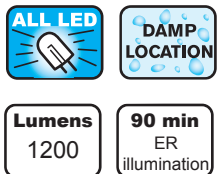
PACKING INFORMATION

Pieces per master	Box Dimensions (cm)	CBM (Master)	Gross weight (Kg)
6	35x29x26	0.0263	9.4

NOTES:

- AC input and battery output include fuse to prevent fire from overload current. Once current is overloaded the fuse will break and needs to be replaced by a professional.
- Damp location is only for low or high temperature operation not for dust-proof or water-proof.
- Batteries must be charged every 6 months to ensure product conservation.
- Specifications and dimensions subject to change without notice.

STANDARD



ILLUMINATION

- Long lasting, efficient ultra-bright white LED lamp heads.
- 6w per head Super Bright LED lamp heads for emergency mode total 1200 lumen output.
- Adjustable LED lamp heads provide optimal center-to-center spacing.

ELECTRICAL

- 120V-277V 50-60Hz
- Charge rate/power "ON" LED indicator light and push to test switch for mandated code compliance testing.
- 6V4.5Ah long-life, Lead Acid battery.
- Internal solid-state transfer switch automatically connects the internal battery to LED lamp heads for minimum 90-minute emergency illumination.
- Fully automatic solid-state, two-rate charger initiates battery charging to recharge a discharged battery in 24 hours.
- Low voltage battery disconnection preventing deep discharge damage to the battery.

MOUNTING

- Universal J-box mountin pattern
- Suitable for wall mount applications

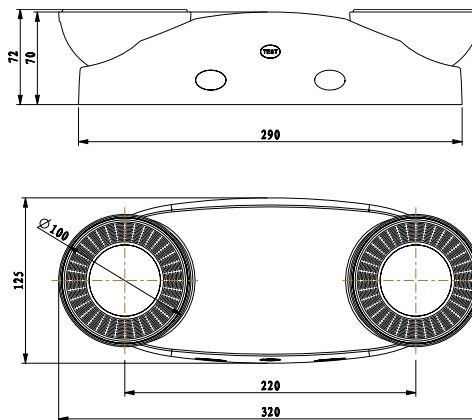
HOUSING

- Injection-molded, engineered grade 5VA flame retardant, high-impact resistant, thermoplastic in white finish.

WARRANTY/LISTING

- Five year warranty on all electronics and housing. Batteries three years.
- For indoor damp locations. (0°C – 40°C)
- Meets NEC

DIMENSIONS (MM)



ORDERING INFORMATION

Model	Housing Color	Options
LEDR6H	White	SDT Self diagnostic

PACKING INFORMATION

Pieces per master	Box Dimensions (cm)	CBM (Master)	Gross weight (Kg)
6	35x29x26	0.0263	9.4

NOTES:

- AC input and battery output include fuse to prevent fire from overload current. Once current is overloaded the fuse will break and needs to be replaced by a professional.
- Damp location is only for low or high temperature operation not for dust-proof or water-proof.
- Batteries must be charged every 6 months to ensure product conservation.
- Specifications and dimensions subject to change without notice.

STANDARD



ILLUMINATION

- Long lasting, efficient ultra-bright white LED lamp heads.
- 1.2 watts (1 LED per head) total 200 lumen output.
- Adjustable LED lamp heads provide optimal center-to-center spacing.

ELECTRICAL

- 120V-277V 50-60Hz
- Charge rate/power “ON” LED indicator light and push to test switch for mandated code compliance testing.
- 3.6V1000AH long-life, NI-MH battery.
- Internal solid-state transfer switch automatically connects the internal battery to LED lamp heads for minimum 90-minute emergency illumination.
- Fully automatic solid-state, two-rate charger initiates battery charging to recharge a discharged battery in 24 hours.
- Low voltage battery disconnection preventing deep discharge damage to the battery.

MOUNTING

- Universal J-box mountin pattern
- Suitable for wall mount applications

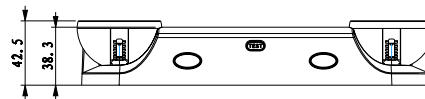
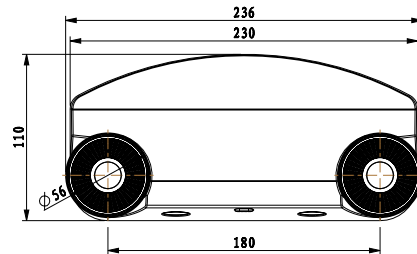
HOUSING

- Injection-molded, engineered grade 5VA flame retardant, high-impact resistant, thermoplastic in white finish. Flame retardant rating up to 850C.

WARRANTY/LISTING

- Five year warranty on all electronics and housing. Batteries pro-rated for five years.
- UL listed for indoor damp locations. (0°C – 40°C)
- Meets UL924, NFPA 101, NEC and OSHA illumination standards.

DIMENSIONS (MM)



ORDERING INFORMATION

Model	Housing Color
LEDR7	White

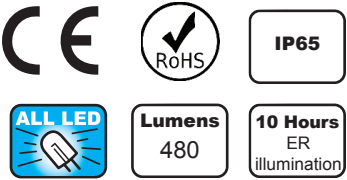
PACKING INFORMATION

Pieces per master	Box Dimensions (cm)	CBM (Master)	Gross weight (Kg)
12	38.5 x 26 x 22	0.0220	7.5

NOTES:

- AC input and battery output include fuse to prevent fire from overload current. Once current is overloaded the fuse will break and needs to be replaced by a professional.
- Damp location is only for low or high temperature operation not for dust-proof or water-proof.
- Batteries must be charged every 18 months to ensure product conservation.
- Specifications and dimensions subject to change without notice.

STANDARD



ILLUMINATION

- Long lasting, efficient ultra-bright white LED lamp heads.
- 4 watts (2x28 pcs LEDs) total 480 lumen output.
- High-performance chrome-plated metalized reflector and plastic lens for optimal light distribution.
- Adjustable LED lamp heads provide optimal center-to-center spacing.

ELECTRICAL

- Universal 120-277V 50/60Hz
- Charge rate/power "ON" LED indicator light and push to test switch for mandated code compliance testing.
- 12V7000 mAh long-life, lead acid battery
- Internal solid-state transfer switch automatically connects the internal battery to LED lamp heads.
- Fully automatic solid-state, two-rate charger initiates battery charging to recharge a discharged battery in 24 hours.
- Low voltage battery disconnection preventing deep discharge damage to the battery.

MOUNTING

- Suitable for wall mount.

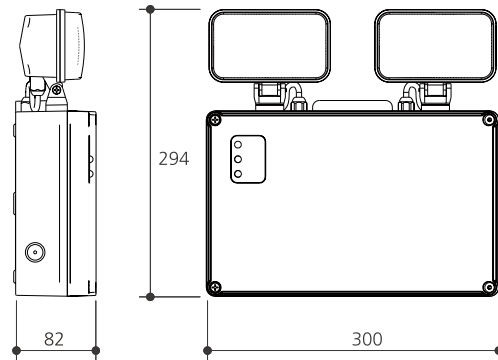
HOUSING

- Clear polycarbonate diffuser and ABS housing, 5VA flame retardant. Flame retardant rating up to 850C.

WARRANTY/LISTING

- Five year warranty on all electronics and housing. Batteries three years.
- Listed for outdoor wet locations. (-0°C – 40°C)
- Complies with IEC60598-2-22
Complies with ROHS

DIMENSIONS (MM)



ORDERING INFORMATION

Model	Housing Color	Options
WTX	Blank White	SDT Self diagnostic

PACKING INFORMATION

Pieces per master	Box Dimensions (cm)	CBM (Master)	Gross weight (Kg)
5	44x32x32	0.0450	10

NOTES:

- AC input and battery output include fuse to prevent fire from overload current. Once current is overloaded the fuse will break and needs to be replaced by a professional.
- Batteries must be charged every 6 months to ensure product conservation.
- Specifications and dimensions subject to change without notice.

IP65 POLYCARBONATE EMERGENCY UNIT

STANDARD



ILLUMINATION

- Sealed and gasketed weather proof lamp heads with high performance chrome-plated metallized reflector and tempered glass lenses for optimal light distribution.
- Long lasting efficient ultra bright white LED lamp heads.
- 1.95 watt (12 LEDs x 0.1625) per head
- Luminous Flux: total 330 lumen output

ELECTRICAL

- Dual 120/277v 60Hz standard, 120/220v 60/50Hz optional.
- Charge rate/power "ON" LED indicator light and push-to-test switch for mandated code compliance testing.
- 6V 2.5Ah long life, maintenance-free, rechargeable sealed lead acid battery.
- Internal solid-state transfer switch automatically connects the internal battery to LED lamp heads for minimum 90-minute emergency illumination.
- Fully automatic solid-state, two rate charger initiates battery charging to recharge a discharged battery in 24 hours.

MOUNTING

- External mounting brackets for simplified surface mounting.
- Knockout for conduit applications.

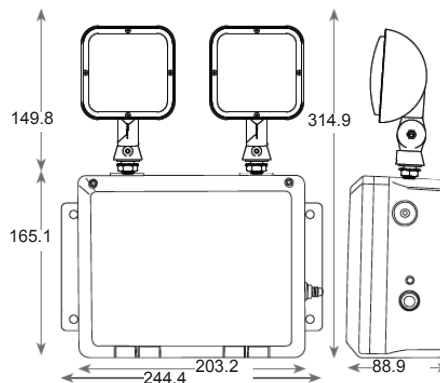
HOUSING

- Injection-molded, engineered grade 5VA flame retardant, high-impact resistant, thermoplastic in gray finish.
- Sealed and gasketed housing with hinged cover.
- Sealed test switch.

WARRANTY/LISTING

- Five year warranty on all electronics and housing Batteries 3 years.
- Suitable for use in ambient temp (-5°C – 40°C)
- Complies with IEC60598-2-22

DIMENSIONS (MM)



ORDERING INFORMATION

Model	Housing Color	Option
WFX	Blank Gray B Black	2 120/220v HT Heater Pad for -20°C to 40°C

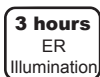
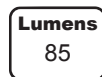
PACKING INFORMATION

Pieces per master	Box Dimensions (cm)	CBM (Master)	Gross weight (Kg)
2	25.5 x28.5x 34.8	0.0252	10

NOTES:

- AC input and battery output include fuse to prevent fire from overload current. Once current is overloaded the fuse will break and needs to be replaced by a professional.
- Batteries must be charged every 6 months to ensure product conservation.
- Specifications and dimensions subject to change without notice.

STANDARD



Multi-directional stickers

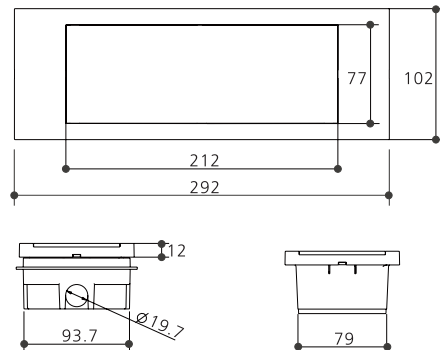


Recessed Box

PRODUCT OVERVIEW

Slim Emergency light surface or recessed with box accessory. Clear Polycarbonate diffuser & ABS housing. LEDs are located on the side making the display smooth. 20 SMD LED 2835. 3 Hour ER mode operation despite non-maintained or maintained operation (see notes). For indoor use only. Multi-directional stickers included.

DIMENSIONS (MM)



with recessed box

SPECIFICATIONS

Mode of operation	Non-Maintained / Maintained
Voltage	100-240V 50/60Hz
Power Consumption	3.8W Max
Output Voltage	DC 5V ±0.5V
Output Power	1.2W
Lumen Output	85 lm max
CCT	6500K±500K
Battery	3.7V2000 Ah Li-ion battery
Max Charge Current (mA)	100MA
Max Discharge Current (mA)	280MA
Battery charge time	24 hrs
Battery discharge time	3 hrs
Complies with	IEC 60598-2-22
Warranty	5 years for electrical parts and housing 3 years for battery

Notes:

Maintained mode: The lights are on regardless of AC or DC mode.

Non-maintained mode: The lights only come on when the power is off.

ORDERING INFORMATION

Model	Housing Color	Options
AL585040	White	Blank Without recessed box
AL585041 (Recessed Box)		B With recessed box

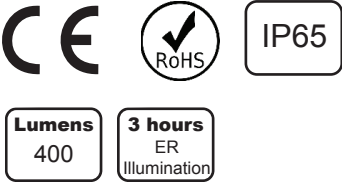
PACKING INFORMATION

Model	CBM	Pieces per master	Box Dimensions (cm)	Gross weight (Kg)
Fixture	0.0240	10	32 x 31 x 24	7.6
Fixture with Box	0.0285	10	33.5 X 31.5 X 27	8.5
Recessed Box	0.0240	10	32 X 31 X 24	5

NOTES:

- AC input and battery output include fuse to prevent fire from overload current. Once current is overloaded the fuse will break and needs to be replaced by a professional.
- Batteries must be charged every 18 months to ensure product conservation.
- Specifications and dimensions subject to change without notice.

STANDARD

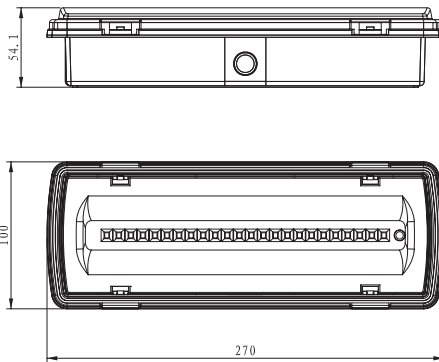


Multi-directional stickers

PRODUCT OVERVIEW

Slim Emergency surface light. Clear Polycarbonate diffuser & ABS housing. LEDs are located on the side making the display smooth. 50 SMD LED 2835. 3 Hour ER mode operation despite non-maintained or maintained operation (see notes). For indoor and outdoor use. Multi-directional stickers included.

DIMENSIONS (MM)



SPECIFICATIONS

Mode of operation	Non-Maintained / Maintained
Voltage	120-277V 50/60Hz
Power Consumption	2W Max
Output Voltage	9.5V
Output Power	2.5W
Lumen Output	400 lumens
CCT	6500K±500K
Battery	7.4V/1500 mAh Li-ion battery
Max Charge Current (mA)	110mA
Max Discharge Current (mA)	500mA
Battery charge time	24 hrs
Battery discharge time	up to 3 hrs
Complies with	IEC 60598-2-22
Warranty	5 years for electrical parts and housing 3 years for battery

Notes:

Maintained mode: The lights are on regardless of AC or DC mode.

Non-maintained mode: The lights only come on when the power is off.

ORDERING INFORMATION

Model	Housing Color	Options
AL585039	White	SDT Self-diagnostic

PACKING INFORMATION

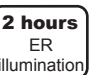
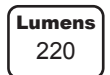
Model	CBM	Pieces per master	Box Dimensions (cm)	Gross weight (Kg)
AL585039	0.0385	12	41.5 x 31 x 30	8

NOTES:

- AC input and battery output include fuse to prevent fire from overload current. Once current is overloaded the fuse will break and needs to be replaced by a professional.
- Damp location is only for low or high temperature operation not for dust-proof or water-proof.
- Batteries must be charged every 18 months to ensure product conservation.
- Specifications and dimensions subject to change without notice.

Round Beam

STANDARD



ILLUMINATION

- 170 lumen output
- Color temperature 6000K
- *Beam angle 120° / Round for open areas
- CRI ≥ 80
- Power consumption 3.5w
- LED SMD3030-3w*1PC

ELECTRICAL

- 120V-277V 50-60Hz
- Output voltage 5.5V
- Output power 1.5w
- Max charge current 400mA
- Max discharge current 550mA
- Charge rate/power "ON" LED indicator light and push to test switch for mandated code compliance testing
- 3.7V 1500mAh long-life, Li-ion Battery
- Internal solid-state transfer switch automatically connects the internal battery to LED lamp for minimum 2 hour emergency illumination
- Fully automatic solid-state, two-rate charger initiates battery charging to recharge a discharged battery in 24 hours
- Low voltage battery disconnection preventing deep discharge damage to the battery

MOUNTING

- Ceiling mount

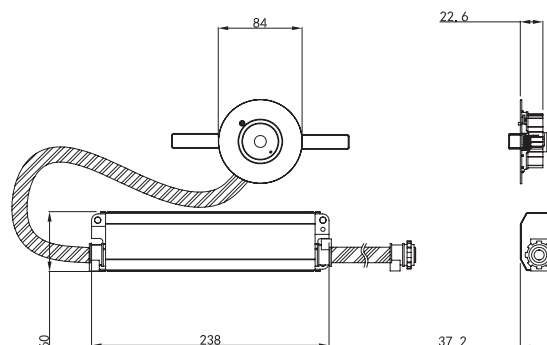
HOUSING

- Injection-molded, polycarbonate housing UL94V-0 flame rating, fire retardant
- Battery: Durable heavy duty steel housing

WARRANTY/LISTING

- Five year warranty on all electronics and housing. Batteries 3 years.
- Working Temp 0°C – 40°C
- Complies with IEC60598-2-22

DIMENSIONS (MM)



ORDERING INFORMATION

Model	Housing Color	Beam angle option
AL585031	White	Blank 120° (with lens) 5 150° (without lens)

PACKING INFORMATION

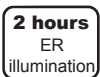
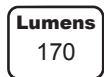
Pieces per master	Box Dimensions (cm)	CBM (Master)	Gross weight (Kg)
10	39x22x28.5	0.0244	4.3

NOTES:

- AC input and battery output include fuse to prevent fire from overload current. Once current is overloaded the fuse will break and needs to be replaced by a professional.
- Batteries must be charged every 18 months to ensure product conservation.
- Specifications and dimensions subject to change without notice.

Long Narrow Beam

STANDARD



ILLUMINATION

- 170 lumen output
- Color temperature 6000K
- Beam angle 65°x130° with lens, long narrow for a placement inter-distance in places such as corridors, achieving adequate lighting in evacuation routes.
- CRI ≥ 80
- Power consumption 3.5w
- LED SMD3030-3w*1PC

ELECTRICAL

- 120V-277V 50-60Hz
- Output voltage 5.5V
- Output power 1.5w
- Max charge current 400mA
- Max discharge current 550mA
- Charge rate/power "ON" LED indicator light and push to test switch for mandated code compliance testing
- 3.7V 1500mAh long-life, Li-ion Battery
- Internal solid-state transfer switch automatically connects the internal battery to LED lamp for minimum 2 hour emergency illumination
- Fully automatic solid-state, two-rate charger initiates battery charging to recharge a discharged battery in 24 hours
- Low voltage battery disconnection preventing deep discharge damage to the battery

MOUNTING

- Ceiling mount

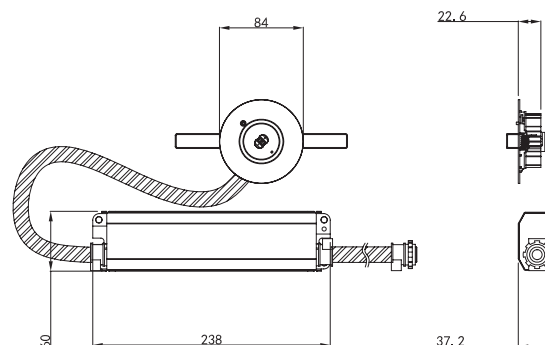
HOUSING

- Injection-molded, polycarbonate housing UL94V-0 flame rating, fire retardant
- Battery: Durable heavy duty steel housing

WARRANTY/LISTING

- Five year warranty on all electronics and housing. Batteries 3 years.
- Working Temp 0°C – 40°C
- Complies with IEC60598-2-22

DIMENSIONS (MM)



ORDERING INFORMATION

Model	Housing Color
AL585033	White

PACKING INFORMATION

Pieces per master	Box Dimensions (cm)	CBM (Master)	Gross weight (Kg)
10	39x22x28.5	0.0244	4.3

NOTES:

- AC input and battery output include fuse to prevent fire from overload current. Once current is overloaded the fuse will break and needs to be replaced by a professional.
- Batteries must be charged every 18 months to ensure product conservation.
- Specifications and dimensions subject to change without notice.

Round Beam

STANDARD



ILLUMINATION

- 450 lumen output
- Color temperature 6000K
- *Beam angle 120° / Round for open areas
- CRI ≥ 80
- Power consumption 3w
- LED SMD3030 5w*1PC

ELECTRICAL

- 120V-277V 50-60Hz
- Output voltage 3.6V
- Output power 4w
- Max charge current 300mA
- Max discharge current 1450mA
- Charge rate/power "ON" LED indicator light and push to test switch for mandated code compliance testing
- 3.6V 4000mAh long-life, Ni-MH Battery
- Internal solid-state transfer switch automatically connects the internal battery to LED lamp up to 3 hours emergency illumination
- Fully automatic solid-state, two-rate charger initiates battery charging to recharge a discharged battery in 24 hours
- Low voltage battery disconnection preventing deep discharge damage to the battery

MOUNTING

- Ceiling mount

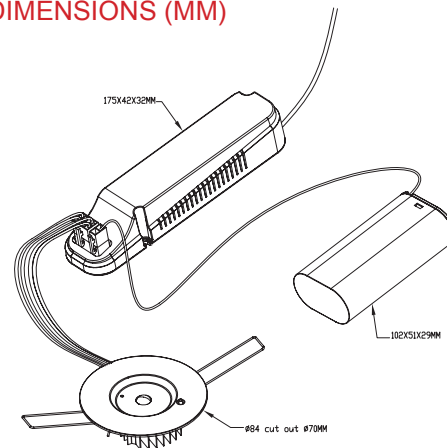
HOUSING

- Injection-molded, polycarbonate housing UL94V-0 flame rating, fire retardant.

WARRANTY/LISTING

- Five year warranty on all electronics and housing. Batteries 3 years.
- Working Temp 0°C – 40°C
- Complies with IEC60598-2-22

DIMENSIONS (MM)



ORDERING INFORMATION

Model	Housing Color	Options
AL585035	White	Blank 120° (with lens) 5 150° (without lens)

PACKING INFORMATION

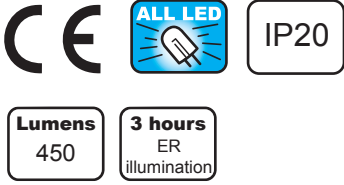
Pieces per master	Box Dimensions (cm)	CBM (Master)	Gross weight (Kg)
10	47.5x34.5x24.5	0.0400	4.3

NOTES:

- AC input and battery output include fuse to prevent fire from overload current. Once current is overloaded the fuse will break and needs to be replaced by a professional.
- Batteries must be charged every 18 months to ensure product conservation.
- Specifications and dimensions subject to change without notice.

Long Narrow Beam

STANDARD



ILLUMINATION

- 450 lumen output
- Color temperature 6000K
- Beam angle 65°x130° with lens, long narrow for a placement inter-distance in places such as corridors, achieving adequate lighting in evacuation routes.
- CRI ≥ 80
- Power consumption 3w
- LED SMD3030 5w*1PC

ELECTRICAL

- 120V-277V 50-60Hz
- Output voltage 3.6V
- Output power 4w
- Max charge current 300mA
- Max discharge current 1450mA
- Charge rate/power "ON" LED indicator light and push to test switch for mandated code compliance testing
- 3.6V 4000mAh long-life, Ni-MH Battery
- Internal solid-state transfer switch automatically connects the internal battery to LED lamp up to 3 hours emergency illumination
- Fully automatic solid-state, two-rate charger initiates battery charging to recharge a discharged battery in 24 hours
- Low voltage battery disconnection preventing deep discharge damage to the battery

MOUNTING

- Ceiling mount

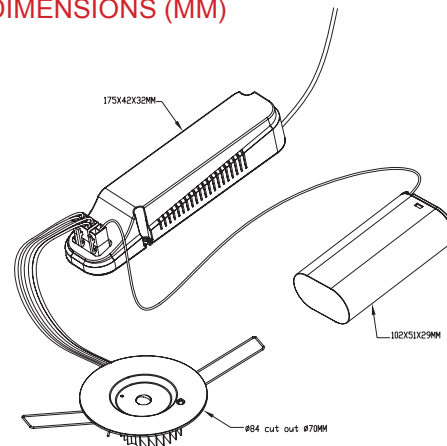
HOUSING

- Injection-molded, polycarbonate housing UL94V-0 flame rating, fire retardant.

WARRANTY/LISTING

- Five year warranty on all electronics and housing. Batteries 3 years.
- Working Temp 0°C – 40°C
- Complies with IEC60598-2-22

DIMENSIONS (MM)



ORDERING INFORMATION

Model	Housing Color
AL585036	White

PACKING INFORMATION

Pieces per master	Box Dimensions (cm)	CBM (Master)	Gross weight (Kg)
10	47.5x34.5x24.5	0.0400	4.3

NOTES:

- AC input and battery output include fuse to prevent fire from overload current. Once current is overloaded the fuse will break and needs to be replaced by a professional.
- Batteries must be charged every 18 months to ensure product conservation.
- Specifications and dimensions subject to change without notice.

Round Beam

STANDARD



ILLUMINATION

- 170 lumen output
- Color temperature 6000K
- *Beam angle 120° / Round for open areas
- CRI ≥ 80
- Power consumption 3.5w
- LED SMD3030 3w*1PC

ELECTRICAL

- 120V-277V 50-60Hz
- Output voltage 5.5V
- Output power 1.5w
- Max charge current 400mA
- Max discharge current 450mA
- Charge rate/power "ON" LED indicator light and push to test switch for mandated code compliance testing
- 3.7V 1500mAh long-life, Li-ion Battery
- Internal solid-state transfer switch automatically connects the internal battery to LED lamp for minimum of 2 hours emergency illumination
- Fully automatic solid-state, two-rate charger initiates battery charging to recharge a discharged battery in 24 hours
- Low voltage battery disconnection preventing deep discharge damage to the battery

MOUNTING

- Ceiling mount

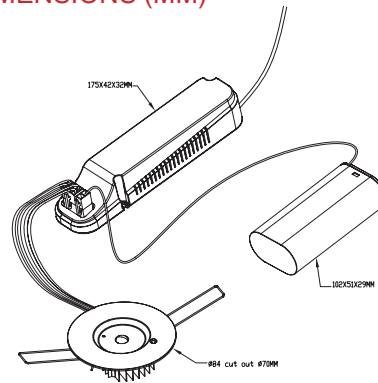
HOUSING

- Injection-molded, polycarbonate housing UL94V-0 flame rating, fire retardant.

WARRANTY/LISTING

- Five year warranty on all electronics and housing. Batteries 3 years.
- Working Temp 0°C – 40°C
- Complies with IEC60598-2-22

DIMENSIONS (MM)



ORDERING INFORMATION

Model	Housing Color	Options
AL585030	White	Blank 120° (with lens) 5 150° (without lens)

PACKING INFORMATION

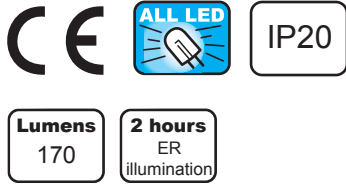
Pieces per master	Box Dimensions (cm)	CBM (Master)	Gross weight (Kg)
10	47.5x34.5x24.5	0.0400	4.3

NOTES:

- AC input and battery output include fuse to prevent fire from overload current. Once current is overloaded the fuse will break and needs to be replaced by a professional.
- Batteries must be charged every 18 months to ensure product conservation.
- Specifications and dimensions subject to change without notice.

Long Narrow Beam

STANDARD



ILLUMINATION

- 170 lumen output
- Color temperature 6000K
- Beam angle 65°x130° with lens, long narrow for a placement inter-distance in places such as corridors, achieving adequate lighting in evacuation routes.
- CRI ≥ 80
- Power consumption 3.5w
- LED SMD3030 3w*1PC

ELECTRICAL

- 120V-277V 50-60Hz
- Output voltage 5.5V
- Output power 1.5w
- Max charge current 400mA
- Max discharge current 450mA
- Charge rate/power "ON" LED indicator light and push to test switch for mandated code compliance testing
- 3.7V 1500mAh long-life, Li-ion battery
- Internal solid-state transfer switch automatically connects the internal battery to LED lamp for minimum of 2 hours emergency illumination
- Fully automatic solid-state, two-rate charger initiates battery charging to recharge a discharged battery in 24 hours
- Low voltage battery disconnection preventing deep discharge damage to the battery

MOUNTING

- Ceiling mount

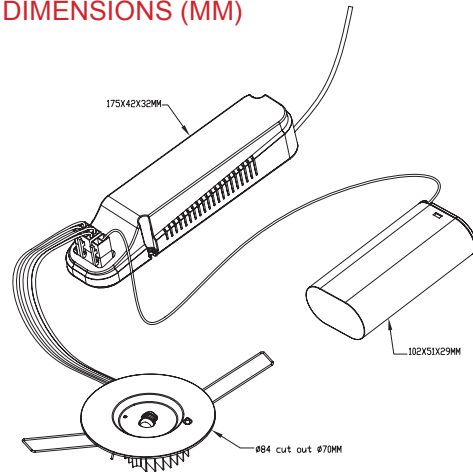
HOUSING

- Injection-molded, polycarbonate housing UL94V-0 flame rating, fire retardant.

WARRANTY/LISTING

- Five year warranty on all electronics and housing. Batteries 3 years.
- Working Temp 0°C – 40°C
- Complies with IEC60598-2-22

DIMENSIONS (MM)



ORDERING INFORMATION

Model	Housing Color
AL585032	White

PACKING INFORMATION

Pieces per master	Box Dimensions (cm)	CBM (Master)	Gross weight (Kg)
10	47.5x34.5x24.5	0.0400	4.3

NOTES:

- AC input and battery output include fuse to prevent fire from overload current. Once current is overloaded the fuse will break and needs to be replaced by a professional.
- Batteries must be charged every 18 months to ensure product conservation.
- Specifications and dimensions subject to change without notice.



THIN THERMOPLASTIC BI-COLOR LED EXIT SIGN

STANDARD



ILLUMINATION

- Ultra bright, energy efficient, long life Red or Green LED.
- Red or Green Selectable. (Color Selectable switch to choose RED or GREEN) Interchangeable color lenses included.

ELECTRICAL

- Dual 120V/277V 50/60Hz
- Charge rate/power "ON" LED indicator light and push-to-test switch for mandated code compliance testing.
- 1.2V 1000mAH Long life, maintenance-free, rechargeable Ni-MH battery.
- Internal solid-state transfer switch automatically connects the internal battery to LED board for minimum 90-minute emergency illumination.
- Fully automatic solid-state, two rate charger initiates battery charging to recharge a discharged battery in 24 hours.

MOUNTING

- Easy snap mounting canopy included for top or end mount.
- Universal K/O pattern on back plate for wall mount..

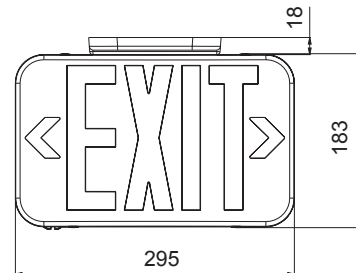
HOUSING

- Injection-molded, thermoplastic ABS housing, UL 94V-0 flame rating.
- White or Black
- Aesthetically pleasing, curved face, rounded corner design.
- Easy snap-out chevron directional indicators.

WARRANTY/LISTING

- Five year warranty on all electronics and housing. Batteries 3 years.
- Meets UL924, NFPA 101, NEC and OSHA illumination standards.
- UL listed for indoor damp locations (0°- 40°C).

DIMENSIONS (MM)



ORDERING INFORMATION

Model	No. of Faces	Housing Color	Battery	Options
EXRB	2 Universal Single / Double face	W White B Black	Blank Battery back up	S Salida SDT Self diagnostic

PACKING INFORMATION

Pieces per master	Box Dimensions (cm)	CBM (Master)	Gross weight (Kg)
6	38.5x31.5x21.5	0.0260	6.8

NOTES:

- SDT=No UL Listed
- Damp location is only for low or high temperature
- Operation not for dust-proof or water-proof
- Batteries must be charged every 18 months to ensure product conservation.
- Specifications and dimensions subject to change without notice.

THIN THERMOPLASTIC LED EXIT SIGN

STANDARD



ILLUMINATION

- Ultra bright, energy efficient, long life Red or Green LED.

ELECTRICAL

- Dual 120V/277V 50/60Hz
- Charge rate/power "ON" LED indicator light and push-to-test switch for mandated code compliance testing.
- 1.2V 900mAH Long life, maintenance-free, rechargeable NiCd battery.
- Internal solid-state transfer switch automatically connects the internal battery to LED board for minimum 90-minute emergency illumination.
- Fully automatic solid-state, two rate charger initiates battery charging to recharge a discharged battery in 24 hours.

MOUNTING

- Easy snap mounting canopy included for top or end mount.
- Universal K/O pattern on back plate for wall mount.

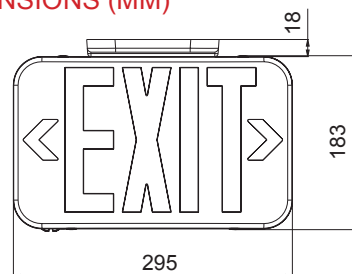
HOUSING

- Injection-molded, engineering grade, 5VA flame retardant, high-impact resistant, thermoplastic in white or black finish.
- Aesthetically pleasing, curved face, rounded corner design.
- Easy snap-out chevron directional indicators.

WARRANTY/LISTING

- Five year warranty on all electronics and housing. Batteries 3 years.
- Meets UL924, NFPA101 Life Safety Code, NEC and OSHA illumination standards.
- UL listed for indoor damp locations (0°- 40°C).

DIMENSIONS (MM)



ORDERING INFORMATION

Model	No. of Faces	LED Color	Housing Color	Battery	Options
AEZRXTU	1 Single face	R Red	W White	Blank AC Only	S Salida
	2 Universal Single / Double face	G Green	B Black	EM Battery backup	

PACKING INFORMATION

Pieces per master	Box Dimensions (cm)	CBM (Master)	Gross weight (Kg)
6	38.5x31.5x21.5	0.0260	6.8

NOTES:

- Damp location is only for low or high temperature
- Operation not for dust-proof or water-proof
- Batteries must be charged every 18 months to ensure product conservation.
- Specifications and dimensions subject to change without notice.

AEZXTEU

LED EXIT SIGN

STANDARD



ILLUMINATION

- Ultra bright, energy efficient, long life Red or Green LED.

ELECTRICAL

- Dual 120V/277V 50/60Hz
- Charge rate/power "ON" LED indicator light and push-to-test switch for mandated code compliance testing.
- 1.2V1000mAH Long life, maintenance-free, rechargeable NiCd battery.
- Internal solid-state transfer switch automatically connects the internal battery to LED board for minimum 90-minute emergency illumination.
- Fully automatic solid-state, two rate charger initiates battery charging to recharge a discharged battery in 24 hours.

MOUNTING

- EZ-snap mounting canopy included for top or end mount.
- Universal K/O pattern on back plate for wall mount.

HOUSING

- Injection-molded, engineering grade, 5VA flame retardant, high-impact resistant, thermoplastic in white or black finish.
- Easy snap-out chevron directional indicators.
- Compact, low-profile design.

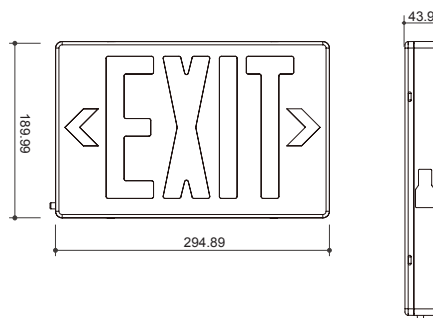
OPTIONS

- STD: Self-diagnostic feature performs monthly, biannual and annual tests to ensure reliable operation and meet electrical and life safety codes.

WARRANTY/LISTING

- Five year warranty on all electronics and housing. Batteries 3 years.
- Meets UL924, NFPA 101, NEC and OSHA illumination standards.
- UL listed for indoor damp locations (0° - 40°C).

DIMENSIONS (MM)



ORDERING INFORMATION

Model	No. of Faces	LED Color	Housing Color	Battery	Options
AEZXTEU	1 Single face	R Red	W White	Blank AC Only	S Salida
	2 Universal Single / Double face	G Green	B Black	EM Battery backup	SDT Self diagnostic

PACKING INFORMATION

Pieces per master	Box Dimensions (cm)	CBM (Master)	Gross weight (Kg)
6	39x32.5x22.5	0.0285	8.2

NOTES:

- Damp location is only for low or high temperature
- Operation not for dust-proof or water-proof
- Batteries must be charged every 18 months to ensure product conservation.
- Specifications and dimensions subject to change without notice.

ALUMINUM EDGELITE EXIT SIGN

STANDARD



ILLUMINATION

- Ultra-bright, energy efficient, long-life Red or Green LED.
- UV-stabilized ultra-clear acrylic edgelit panel provides consistent, uniform illumination.
- Double face utilizes factory installed silver or white mylar background panel.

ELECTRICAL

- Dual 120/277V 50/60Hz
- Charge rate/power "ON" LED indicator light and push-to-test switch for mandated code compliance testing.
- 3.6V/600mAH long life, maintenance-free, rechargeable NiCd battery.
- Internal solid-state transfer switch automatically connects the internal battery to LED board for minimum 180-minutes emergency illumination.
- Fully automatic solid-state, two-rate charger initiates battery charging to recharge a discharged battery in 24 hours.

MOUNTING

- Aluminum mounting canopy included for top, end or back mount.

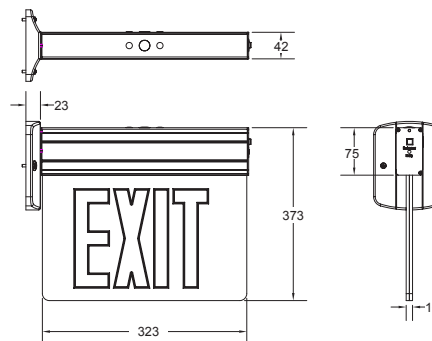
HOUSING

- Premium-grade, extruded aluminum housing (also available in black or white powder-coated finishes).
- Self-adhesive chevron appliques and guide template provided for directional indication.

WARRANTY

- Five year warranty on all electronics and housing. Batteries 3 years.
- Meets UL924, NFPA 101, NEC and OSHA illumination standards.
- UL listed for indoor damp locations (0°- 40°C).

DIMENSIONS (MM)



ORDERING INFORMATION

Model	No. of faces	Letter	Panel	Housing	Battery	Options
AELXTEU	1 Single Face 2 Double Face	R Red G Green	C Clear* M Mirror W White	A Aluminum	EM Battery Back up	S Salida (No UL) SDT Self diagnostic

NOTES: * Single Face Only

PACKING INFORMATION

Pieces per master	Box Dimensions (cm)	CBM (Master)	Gross weight (Kg)
10	41x37x25.5	0.0386	8.4

NOTES:

- Batteries must be charged every 6 months to ensure product conservation.
- Specifications and dimensions subject to change without notice.

ROTATING PLASTIC EDGELITE EXIT SIGN

STANDARD



ILLUMINATION

- Ultra-bright, energy efficient, long-life Red or Green LED.
- UV-stabilized ultra-clear acrylic edgelite panel provides consistent, uniform illumination.
- Double face utilizes factory installed silver or white mylar background panel.

ELECTRICAL

- Dual 120V/277V 50/60Hz
- Charge rate/power "ON" LED indicator light and push-to-test switch for mandated code compliance testing.
- 3.6V/500mAH long life, maintenance-free, rechargeable NiMh battery.
- Internal solid-state transfer switch automatically connects the internal battery to LED board for minimum 90-minutes emergency illumination.
- Fully automatic solid-state, two-rate charger initiates battery charging to recharge a discharged battery in 24 hours.

MOUNTING

- Plastic mounting canopy included for top, end or back mount.
- Panel rotates up to 180°

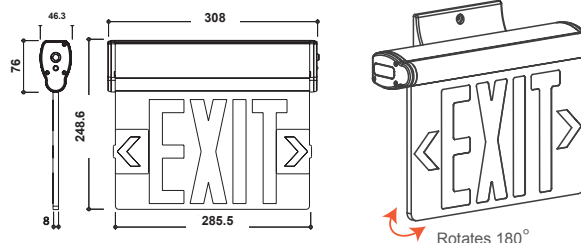
HOUSING

- Injection-molded thermoplastic ABS housing, UL 94V-0 flame rating with high grade acrylic panel (also available in black or luminum finishes).
- Self-adhesive chevron appliques and guide template provided for directional indication.
- Removable front cover.

WARRANTY

- Five year warranty on all electronics and housing. Batteries 3 years.
- Meets UL924, NFPA 101, NEC and OSHA illumination standards.
- UL listed for indoor damp locations (0°- 40°C).

DIMENSIONS (MM)



ORDERING INFORMATION

Model	No. of faces	Letter	Panel	Housing	Battery	Options
PELXTEU	1 Single Face	R Red	W White	Blank White	EM Battery Back up	S Salida (no UL)
	2 Double Face	G Green	M Mirror	A Aluminum		
			C Clear	B Black		

PACKING INFORMATION

Pieces per master	Box Dimensions (cm)	CBM (Master)	Gross weight (Kg)
6	45x35x25	0.0393	8.7

NOTES:

- Batteries must be charged every 6 months to ensure product conservation.
- Specifications and dimensions subject to change without notice.

STANDARD

IP45



ILLUMINATION

- Ultra-bright, energy efficient, long-life Red or Green LED.
- Energy efficient LED technology.
- Decals and template provides for chevron directional indicators.
- UV-stabilized ultra-clear acrylic edgelit panel provides consistent, uniform illumination.

ELECTRICAL

- 110V-220V / 50/60Hz
- Power Consumption: 110v is 1w and 220V is 2.55w
- Charge rate/power "ON" LED indicator light and push-to-test switch for mandated code compliance testing.
- LVD (low voltage disconnect) prevents battery from deep discharge.
- 3.6V 500mAH maintenance-free, rechargeable sealed lead acid battery.
- Internal solid-state transfer switch automatically connects the internal battery to LED board for minimum 6-8-hours emergency illumination.
- Fully automatic solid-state, two-rate charger initiates battery charging to recharge a discharged battery in 24 hours.

MOUNTING

- Mounting brackets included-provides top, end or back mount convenience.

HOUSING

- Injection-molded, engineering-grade, 5VA flame retardant, high-impact resistant, thermoplastic in white or black finish.

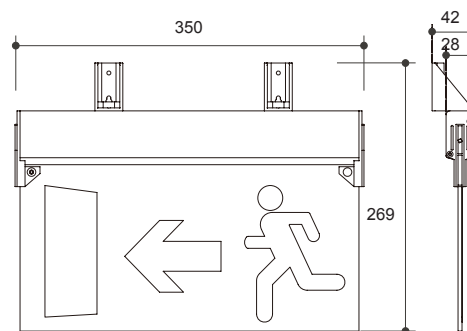
OPTIONS

- Edgelit Salida panels available to order separately (contact customer service).
- Double face utilizes a silver mylar insert.

WARRANTY

- Five year warranty on all electronics and housing. Batteries 3 years.
- Indoor damp locations (0°- 40°C).

DIMENSIONS (MM)



ORDERING INFORMATION

Model	No. of faces	Letter	Panel	Housing	Battery	Options
AELSU	1 Single Face	R Red	C Clear	W White	Blank AC Only	DA Double Arrow
	2 Double Face	G Green			EM NiCad Battery	RA Right Arrow LA Arrow 1 "Man to Exit"

Special voltage options available.

PACKING INFORMATION

Pieces per master	Box Dimensions (cm)	CBM (Master)	Gross weight (Kg)
10	41x37x25.5	0.0386	8.4

NOTES:

- Batteries must be charged every 6 months to ensure product conservation.
- Specifications and dimensions subject to change without notice.

RECESSED ALUMINUM EDGELITE EXIT SIGN

STANDARD



ILLUMINATION

- Ultra-bright, energy efficient, long-life Red or Green LED.
- UV-stabilized ultra-clear acrylic edgelit panel provides consistent, uniform illumination.
- Double face utilizes factory installed silver or white mylar background panel.

ELECTRICAL

- 120V-277V 50-60Hz
- Charge rate/power "ON" LED indicator light and push-to-test switch for mandated code compliance testing.
- 4.8V/500mAH long life, Ni-MH battery for minimum 90 minute emergency operation
- Fully automatic solid-state, two-rate charger initiates battery charging to recharge a discharged battery in 24 hours.
- Test Switch and charge indicator

MOUNTING

- Mounting bar hanger included, suitable for drywall or drop ceiling installation.
- Removable front cover for easy installation and battery maintenance.

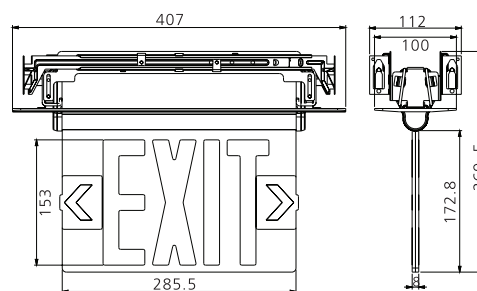
HOUSING

- Aluminum housing with high grade acrylic panel.
- Self-adhesive chevron appliques and guide template provided for directional indication.

WARRANTY

- Five year warranty on all electronics and housing. Batteries 3 years.
- Meets UL924, NFPA 101, NEC and OSHA illumination standards.
- UL listed for indoor damp locations (0°- 40°C).

DIMENSIONS (MM)



ORDERING INFORMATION

Model	No. of faces	Letter	Panel	Housing	Battery	Options
ARELX	1 Single Face	R Red	C Clear*	A Aluminum	EM Battery Back up	S Salida
	2 Double Face	G Green	M Mirror			R Running Man
			W White			

PACKING INFORMATION

Pieces per master	Box Dimensions (cm)	CBM (Master)	Gross weight (Kg)
2	44 x 25 x 22.5	0.0247	5.3

NOTES:

- * Single face only
- Batteries must be charged every 6 months to ensure product conservation.
- Specifications and dimensions subject to change without notice.

WET LOCATION LED EXIT SIGN

STANDARD



ILLUMINATION

- Ultra bright, energy efficient, long life Red or Green LED.

ELECTRICAL

- Dual 120V/277V 50/60Hz
- Charge rate/power "ON" LED indicator light and push-to-test switch for mandated code compliance testing.
- 3.6V 500mAH Long life, maintenance-free, rechargeable Ni-Mh battery.
- Internal solid-state transfer switch automatically connects the internal battery to LED board for minimum 180-minute emergency illumination.
- Fully automatic solid-state, two rate charger initiates battery charging to recharge a discharged battery in 24 hours.

MOUNTING

- Universal J-Box mounting.

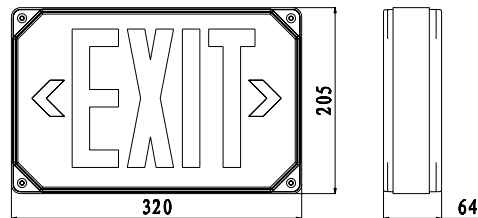
HOUSING

- Injection-molded, thermoplastic ABS housing and polycarbonate cover, UL 94V-0 flame rating.
- Easy snap-out chevron directional indicators.
- Letter 6" height with 3/4" stroke.

WARRANTY/LISTING

- Five year warranty on all electronics and housing. Batteries 3 years.
- Meets UL924, NFPA 101, NEC and OSHA illumination standards.
- UL listed for outdoor wet locations (-20°- 40°C).

DIMENSIONS (MM)



ORDERING INFORMATION

Model	No. of Faces	LED Color	Housing Color	Remote Capacity	Options
WLEZU	1 Single face	R Red	W White	Blank No Remote	S Salida (UL components, but not UL listed) SDT Self diagnostic CW Cold weather (Ta-25°C to 40°C)
	2 Universal Single / Double face	G Green	B Black	RC With Remote	

PACKING INFORMATION

Pieces per master	Box Dimensions (cm)	CBM (Master)	Gross weight (Kg)
6	44 x 35 x 24	0.0696	10

NOTES:

- Batteries must be charged every 18 months to ensure product conservation.
- Specifications and dimensions subject to change without notice.

BI-COLOR LED EXIT & EMERGENCY COMBO

STANDARD



ILLUMINATION

- Long lasting, efficient ultra bright white LED lamp heads.
- 1 watt per head (8 LEDs x 0.125), 250 Lumens total.
- High performance chrome-plated metallized reflector and plastic lens for optimal light distribution.
- Adjustable LED lamp heads provides optimal center-to-center spacing. Optional high-lumen heads are available for increased center-to-center spacing.
- Long life, energy efficient Red or Green Selectable. (Color Selectable switch to choose RED or GREEN) Interchangeable color lenses included.

ELECTRICAL

- Dual 120V/277V 50/60Hz
- Charge rate/power "ON" LED indicator light and push-to-test switch for mandated code compliance testing.
- 3.6V 1200mAH Long life, maintenance-free, rechargeable Ni-MH battery.
- Internal solid-state transfer switch automatically connects the internal battery to LED board and LED lamp heads for minimum 90-minute emergency illumination.
- Fully automatic solid-state, two rate charger initiates battery charging to recharge a discharged battery in 24 hours.
- Remote capacity option available.

MOUNTING

- Easy-snap mounting canopy included for top or end mount.
- Universal K/O pattern on back plate for wall mount..

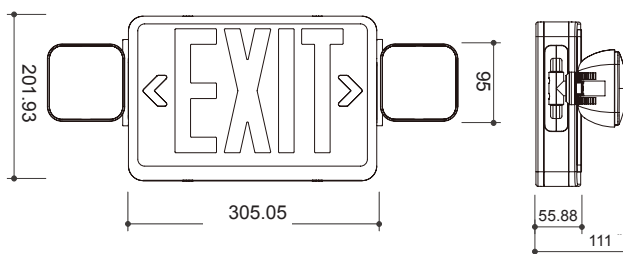
HOUSING

- Injection-molded, thermoplastic ABS housing PMMA lamp diffuser, UL 924V-0 Flame rating in white or black finish.
- Easy snap-out chevron directional indicators.

WARRANTY/LISTING

- Five year warranty on all electronics and housing. Batteries 3 years.
- Meets UL924, NFPA 101, NEC and OSHA illumination standards.
- UL listed for indoor damp locations (0°C- 40°C).

DIMENSIONS



ORDERING INFORMATION

Model	No. of Faces	Housing Color	Options
CCUB	2 Universal Single / Double face	W White B Black	S Salida SDT Self diagnostic R Remote capacity

PACKING INFORMATION

Pieces per master	Box Dimensions (cm)	CBM (Master)	Gross weight (Kg)
6	50x44x38.5	0.0847	11.2

NOTES:

- SDT=No UL Listed
- Damp location is only for low or high temperature.
- Operation not for dust-proof or water-proof.
- Batteries must be charged every 18 months to ensure product conservation.
- Specifications and dimensions subject to change without notice.

LED EXIT & EMERGENCY COMBO

STANDARD



ILLUMINATION

- Long lasting, efficient ultra bright white LED lamp heads.
- 1.2 watt per head (12 LEDs x 0.1), total 300 lumen output.
- High performance chrome-plated metallized reflector and plastic lens for optimal light distribution.
- Adjustable LED lamp heads provides optimal center-to-center spacing. Optional high-lumen heads are available for increased center-to-center spacing.
- Long life, energy efficient Red or Green LED EXIT sign illumination.

ELECTRICAL

- Dual 120V/277V 50/60Hz
- Charge rate/power "ON" LED indicator light and push-to-test switch for mandated code compliance testing.
- 9.6V600mAH Long life, maintenance-free, rechargeable NiCd battery.
- Internal solid-state transfer switch automatically connects the internal battery to LED board and LED lamp heads for minimum 90-minute emergency illumination.
- Fully automatic solid-state, two rate charger initiates battery charging to recharge a discharged battery in 24 hours.
- Remote capacity option available.

MOUNTING

- EZ-snap mounting canopy included for top or end mount.
- Universal K/O pattern on back plate for wall mount..

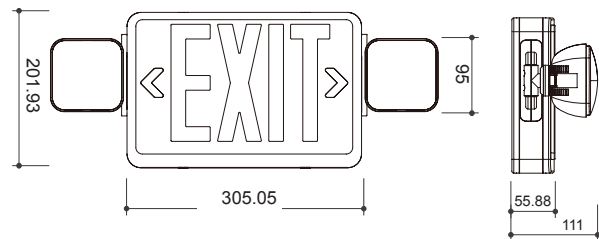
HOUSING

- Injection-molded, engineering grade, 5VA flame retardant, high-impact resistant, thermoplastic in white or black finish.
- EZ snap-out chevron directional indicators.

WARRANTY/LISTING

- Five year warranty on all electronics and housing. Batteries 3 years.
- Meets UL924, NFPA 101, NEC and OSHA illumination standards.
- UL listed for indoor damp locations (0°C- 40°C).

DIMENSIONS



ORDERING INFORMATION

Model	No. of Faces	LED Color	Housing Color	Options
CCUB	2 Universal Single / Double face	R Red G Green	W White B Black	S Salida SDT Self diagnostic

PACKING INFORMATION

Pieces per master	Box Dimensions (cm)	CBM (Master)	Gross weight (Kg)
6	50x44x38.5	0.0847	11.2

NOTES:

- Damp location is only for low or high temperature.
- Operation not for dust-proof or water-proof.
- Batteries must be charged every 18 months to ensure product conservation.
- Specifications and dimensions subject to change without notice.

BI-COLOR LOW PROFILE ALL LED EXIT & EMERGENCY COMBO

STANDARD



ILLUMINATION

- Adjustable long lasting, efficient ultra-bright white LED lamp heads.
- 1w white LED per lamp head, total 200 lumen output
- Unique all inclusive lamp, reflector and lens assembly.
- Long-lasting, energy efficient Red or Green LED exit sign illumination.
- Red or Green Selectable. (Color Selectable switch to choose RED or GREEN) Interchangeable color lenses included.

ELECTRICAL

- 120V-277V 60Hz
- Test switch and charge indicator.
- 3.6V1000mAH long-life, maintenance-free, rechargeable Ni-MH battery.
- Internal solid-state transfer switch automatically connects the internal battery to LED board and LED lamp heads for minimum 90-minute emergency illumination.
- Fully automatic solid-state, two-rate charger initiates battery charging to recharge a discharged battery in 24 hours.

MOUNTING

- Easy-snap thermoplastic mounting canopy included – provides top or back mount.
- Universal K/O pattern on back plate for wall mount..

HOUSING

- Injectection-molded thermoplastic ABS housing & PMMA lamp head diffuser, UL 94V-0 flame rating.
- White or Black

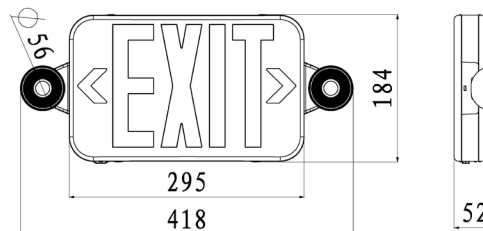
OPTIONS

- Remote capacity option available.
- Double face (Universal).

WARRANTY/LISTING

- Five year warranty on all electronics and housing Batteries 3 years..
- Meets UL924, NFPA 101, NEC and OSHA illumination standards.
- UL listed for indoor damp locations (0°- 40°C).

DIMENSIONS (MM)



ORDERING INFORMATION

Model	No. of Faces	Housing Color	Options
CSUB	2 Universal Single / Double face	W White B Black	S Salida SDT Self diagnostic R Remote capacity

PACKING INFORMATION

Pieces per master	Box Dimensions (cm)	CBM (Master)	Gross weight (Kg)
6	44x40x19.5	0.0304	7

NOTES:

- Damp location is only for low or high temperature.
- Operation not for dust-proof or water-proof.
- Batteries must be charged every 18 months to ensure product conservation.
- Specifications and dimensions subject to change without notice.

LOW PROFILE ALL LED EXIT & EMERGENCY COMBO

STANDARD



ILLUMINATION

- Adjustable long lasting, efficient ultra-bright white LED lamp heads.
- 1w white LED per lamp head, total 150 lumen output.
- Unique all inclusive lamp, reflector and lens assembly.
- Long-lasting, energy efficient Red or Green LED exit sign illumination.

ELECTRICAL

- Dual 120V/277V 60Hz
- Test switch and charge indicator.
- 3.6V1000mAH long-life, maintenance-free, rechargeable Ni-Cad battery.
- Internal solid-state transfer switch automatically connects the internal battery to LED board and LED lamp heads for minimum 90-minute emergency illumination.
- Fully automatic solid-state, two-rate charger initiates battery charging to recharge a discharged battery in 24 hours.

MOUNTING

- Easy-snap thermoplastic mounting canopy included – provides top or back mount.
- Universal K/O pattern on back plate for wall mount..

HOUSING

- Injection-molded thermoplastic ABS housing, UL 94V-0 flame rating.
- White or Black

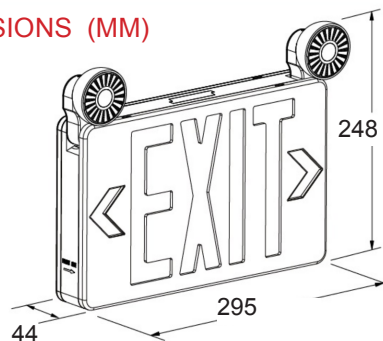
OPTIONS

- Remote capacity option available.
- Single or double face (Universal).

WARRANTY/LISTING

- Five year warranty on all electronics and housing Batteries 3 years..
- Meets UL924, NFPA 101, NEC and OSHA illumination standards.
- UL listed for indoor damp locations (0°- 40°C).

DIMENSIONS (MM)



ORDERING INFORMATION

Model	No. of Faces	LED Color	Housing Color	Options
CXU	1 Single face	R Red	W White	S Salida
	2 Universal Single / Double face	G Green	B Black	SDT Self diagnostic

PACKING INFORMATION

Pieces per master	Box Dimensions (cm)	CBM (Master)	Gross weight (Kg)
6	40x33x23	0.0304	8.6

NOTES:

- Damp location is only for low or high temperature.
- Operation not for dust-proof or water-proof.
- Batteries must be charged every 18 months to ensure product conservation.
- Specifications and dimensions subject to change without notice.

LOW PROFILE ALL LED EXIT & EMERGENCY COMBO

STANDARD



ILLUMINATION

- Adjustable long lasting, efficient ultra-bright white LED lamp heads.
- 1w white LED per lamp head, total 200 lumen output.
- Unique all inclusive lamp, reflector and lens assembly.
- Long-lasting, energy efficient Red or Green LED exit sign illumination.

ELECTRICAL

- 120V-277V 60Hz
- Test switch and charge indicator.
- 3.6V1000mAH long-life, maintenance-free, rechargeable Ni-Cad battery.
- Internal solid-state transfer switch automatically connects the internal battery to LED board and LED lamp heads for minimum 90-minute emergency illumination.
- Fully automatic solid-state, two-rate charger initiates battery charging to recharge a discharged battery in 24 hours.

MOUNTING

- Easy-snap thermoplastic mounting canopy included – provides top or back mount.
- Universal K/O pattern on back plate for wall mount..

HOUSING

- Injection-molded thermoplastic ABS and PC housing, UL 94V-0 flame rating.
- White or Black

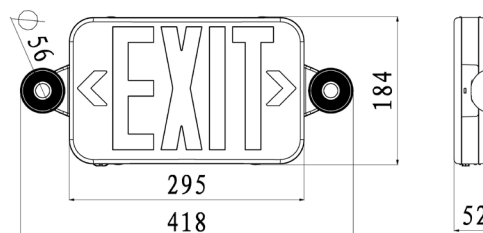
OPTIONS

- Remote capacity option available.
- Single or double face (Universal).

WARRANTY/LISTING

- Five year warranty on all electronics and housing Batteries 3 years.
- Meets UL924, NFPA 101, NEC and OSHA illumination standards.
- UL listed for indoor damp locations (0°- 40°C).

DIMENSIONS (MM)



ORDERING INFORMATION

Model	No. of Faces	LED Color	Housing Color	Options
CSU	1 Single face	R Red	W White	S Salida
	2 Universal Single / Double face	G Green	B Black	SDT Self diagnostic

PACKING INFORMATION

Pieces per master	Box Dimensions (cm)	CBM (Master)	Gross weight (Kg)
6	44x40x19.5	0.0304	7

NOTES:

- Damp location is only for low or high temperature.
- Operation not for dust-proof or water-proof.
- Batteries must be charged every 18 months to ensure product conservation.
- Specifications and dimensions subject to change without notice.

WET LOCATION COMBO LED EXIT SIGN

STANDARD



ILLUMINATION

- Ultra bright, energy efficient, long life Red or Green LED.

ELECTRICAL

- Dual 120V/277V 50/60Hz
- Charge rate/power "ON" LED indicator light and push-to-test switch for mandated code compliance testing.
- 3.6V 1200mAH Long life, maintenance-free, rechargeable Ni-Mh battery.
- Internal solid-state transfer switch automatically connects the internal battery to LED board for minimum 90-minute emergency illumination.
- Fully automatic solid-state, two rate charger initiates battery charging to recharge a discharged battery in 24 hours.
- Luminous Flux: total 300 lumen output

MOUNTING

- Universal J-Box mounting.

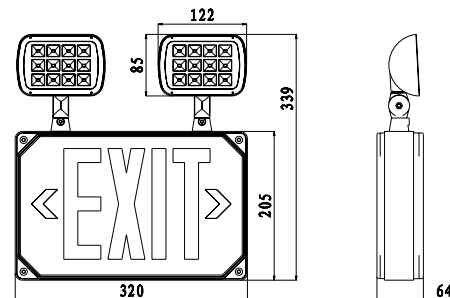
HOUSING

- Injection-molded, thermoplastic ABS housing and polycarbonate cover, UL 94V-0 flame rating.
- Easy snap-out chevron directional indicators.
- Letter 6" height with 3/4" stroke.

WARRANTY/LISTING

- Five year warranty on all electronics and housing. Batteries 3 years.
- Meets UL924, NFPA 101, NEC and OSHA illumination standards.
- UL listed for outdoor wet locations (-20°- 40°C).

DIMENSIONS (MM)



ORDERING INFORMATION

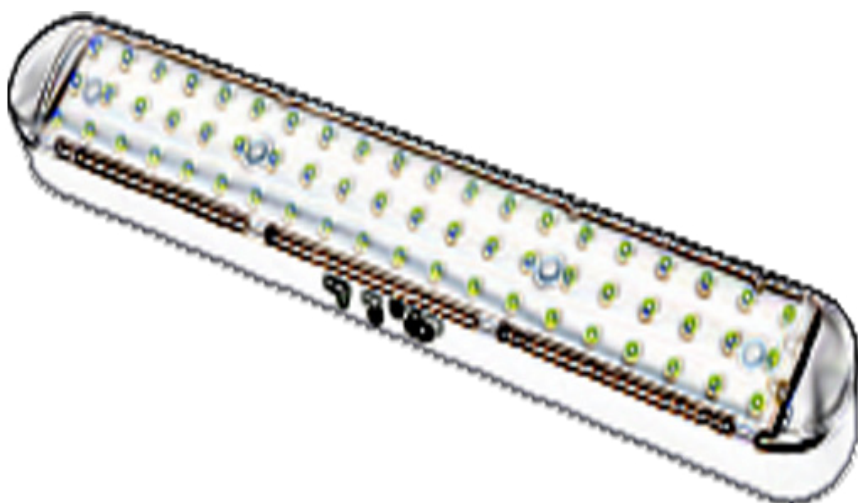
Model	No. of Faces	LED Color	Housing Color	Options
WLCU	1 Single face	R Red G Green	W White B Black	S Salida (UL components, but not UL listed) SDT Self diagnostic CW Cold weather (Ta-25°C to 40°C)

PACKING INFORMATION

Pieces per master	Box Dimensions (cm)	CBM (Master)	Gross weight (Kg)
6	44 x 35 x 38	0.05852	12.4

NOTES:

- Batteries must be charged every 18 months to ensure product conservation.
- Specifications and dimensions subject to change without notice.



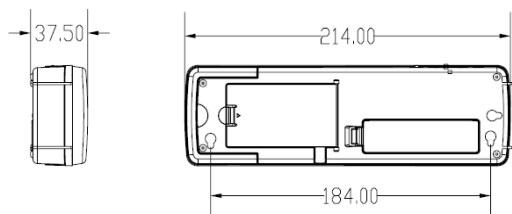
30 LEDS



PRODUCT OVERVIEW

Emergency lantern and work light provides exceptional illumination from 30 LED chips. Leave the lantern plugged into any outlet for charging, it turns on automatically if power goes out. With convenient carrying handle and stand. Manual on/off switch lets you use the lantern as needed.

DIMENSIONS (MM)



SPECIFICATIONS

Mode of operation	High/Low mode
Input Output	120lm high mode / 60lm low mode
Color Temperature	6000K-7000K
Duration	4 hrs high mode/ 8 hrs low mode
LED Life	50,000 hours
LED Type	30 (SMD3528)
Battery	3.6V600mA Li-ion battery
Battery life	400 cycles
Battery charge time	24 hours
Battery discharge time	3 hrs/Hi 6 hrs/low
Output Power	1.8w
Voltage	110-220V 50/60Hz
Warranty	5 years

- Complies with IEC60598-2-22

ORDERING INFORMATION

Item Model
AL585000 30 LEDS

PACKING INFORMATION

Model Round Recessed	CBM	Pieces per master	Box Dimensions (cm)	Gross weight (Kg)
30 LEDS	0.0336	30	41 x 26 x 31.5	9.2

NOTES:

- Batteries must be charged every 6 months to ensure product conservation.
- Specifications and dimensions subject to change without notice.

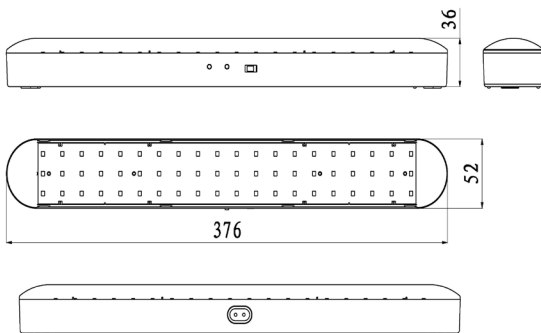
60 LEDS



PRODUCT OVERVIEW

Emergency lantern and work light provides exceptional illumination from 60 LED chips. Leave the lantern plugged into any outlet for charging, it turns on automatically if power goes out. Manual on/off switch lets you use the lantern as needed.

DIMENSIONS (MM)



SPECIFICATIONS

Mode of operation	High/Low mode
Lumens	240lm high mode / 70lm low mode
Color Temperature	6000K-7000K
Duration	4 hrs high mode/ 8 hrs low mode
LED Life	50,000 hours
LED Type	60 pcs (SMD 3528)
Battery	3.6V2000mA Li-ion battery
Battery life	400 cycles
Battery charge time	24 hours
Battery discharge time	3 hrs / high mode 10 hrs / low mode
Output Power	2.5w
Power consumption	2W
Voltage	110-220V 50-60Hz
Warranty	5 years

- Complies with IEC60598-2-22

ORDERING INFORMATION

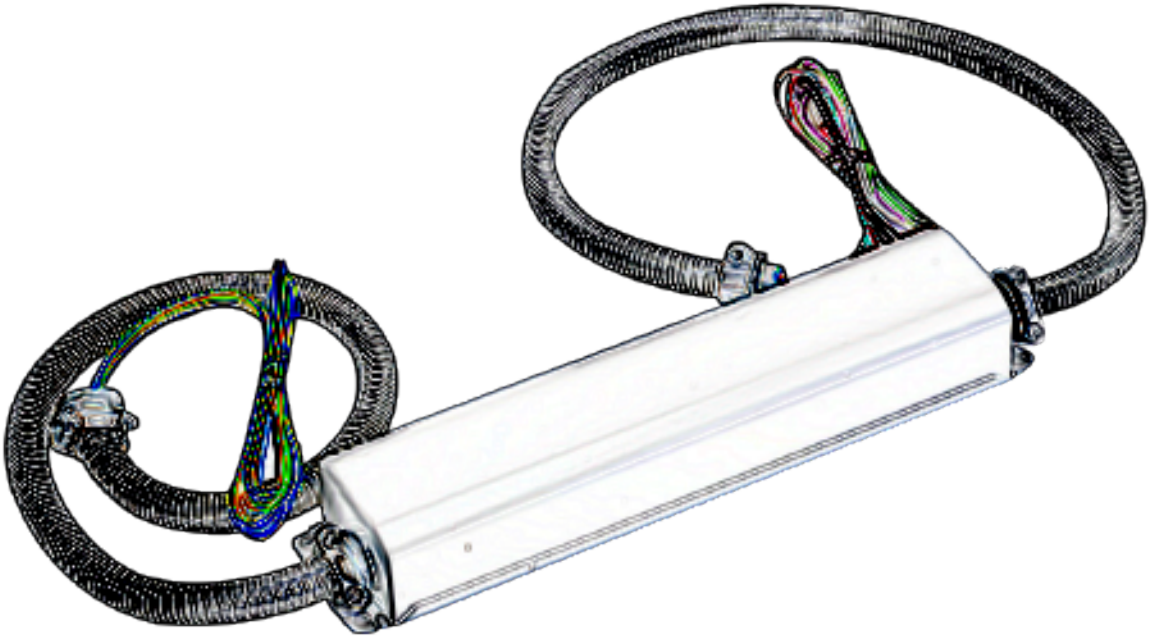
Item Model
AL585001 60 LEDS

PACKING INFORMATION

Model	CBM	Pieces per master	Box Dimensions (cm)	Gross weight (Kg)
60 LEDS	0.0292692	12	47 x 26.5 x 23.5	14

NOTES:

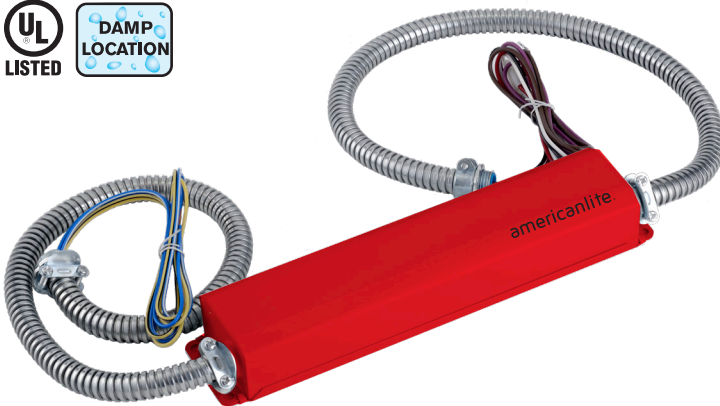
- Batteries must be charged every 6 months to ensure product conservation.
- Specifications and dimensions subject to change without notice.



LED Emergency Inverter (for internal driver)

americanlite®

10w

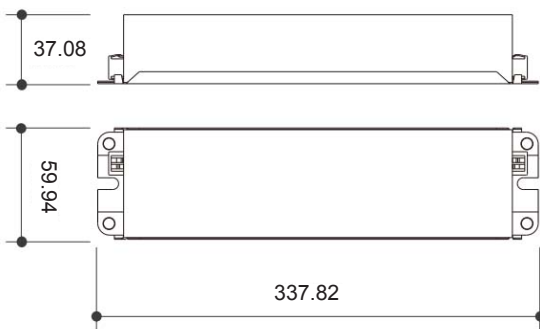


UL Listed for factory installation or field installation

PRODUCT OVERVIEW

- To be use with fixtures with internal driver, led tubes (by pass only, no dimmable) or led lamps with max 10w.
- Constant power output - Provides constant wattage to the LED array, preventing degradation of emergency illumination for the required runtime
- Suitable for enclosed and gasket fixtures
- 0° to 50°C indoor damp location listed
- UL listed for field installation
- Durable heavy duty steel housing
- Innovative, easy installation in minutes
- 120-277VAC/50-60Hz universal voltage operation
- Built-in Nickel cadmium battery for minimum 90 minutes emergency operation
- Maximum 24 hours for full recharge time
- Test switch and charge indicator

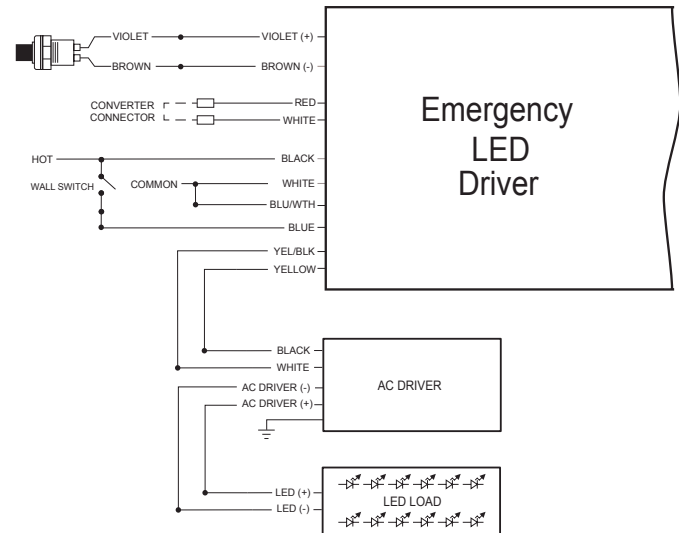
DIMENSIONS (MM)



SPECIFICATIONS

Mode of Operation	Works with internal driver fixtures only
Input Wattage	5.5W
Input Current	65-45mA
Output Voltage	180-320VDC(120-230VAC)
Output Power	10W Max
Battery	6V5000mAh Ni-Cad
Max Charge Current (mA)	230mA
Max Discharge Current (mA)	2500mA
Lumen Output	100%
Working Temperature	0°C-50°C

WIRING DIAGRAM



Batteries should be installed within a year. Batteries must be tested and recharged at least once every 18 months to maintain proper function and avoid loss of warranty.

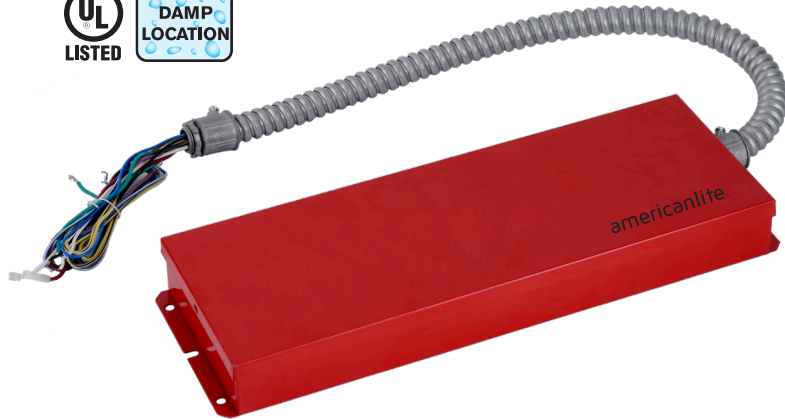
ORDERING INFORMATION

Model	Packing information	Options
AL585007	40 x 25 x 15.5 cm / 6 pcs per master / G.W. 9 / N.W. 8 KGS	Without conduit, add "X" after code

LED Emergency Inverter (for internal & external driver)

americanlite®

20w



UL Listed for factory installation or field installation

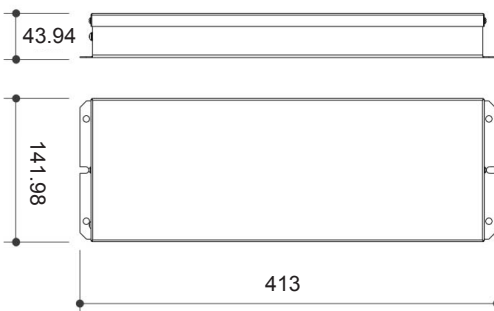
SPECIFICATIONS

Mode of Operation	Works with internal & external driver fixtures less than 20w
Input Wattage	6.5W
Input Current	85-65mA
Output Voltage	180-320VDC
Output Power	20W Max
Battery	14.4V4000mAh Ni-Cad
Max Charge Current (mA)	190mA
Max Discharge Current (mA)	2200mA
Lumen Output	100%

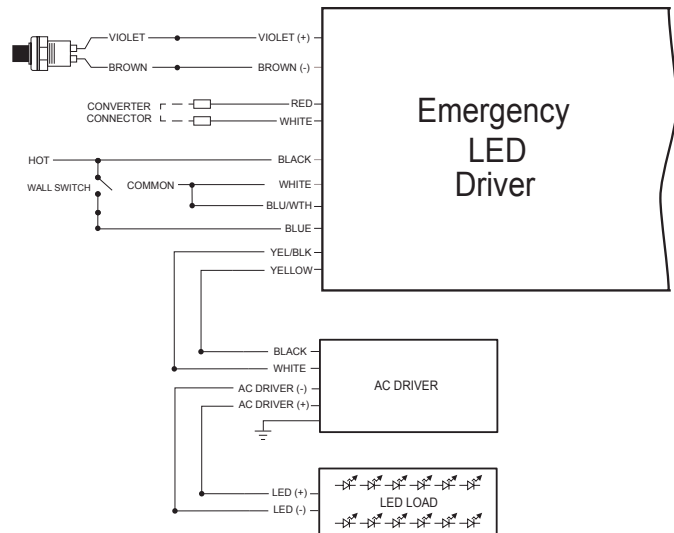
PRODUCT OVERVIEW

- To be use with fixtures with internal and external driver, led tubes (by pass only, no dimmable) or led lamps with max 20w.
- Constant power output - Provides constant wattage to the LED array, preventing degradation of emergency illumination for the required runtime
- Suitable for enclosed and gasket fixtures
- 0° to 50°C indoor damp location listed
- UL listed for field installation, meets UL924
- Durable heavy duty steel housing
- Innovative, easy installation in minutes
- 120-277VAC/50-60Hz universal voltage operation
- Built-in Nickel cadmium battery for minimum 90 minutes emergency operation
- Maximum 24 hours for full recharge time
- Test switch and charge indicator

DIMENSIONS (MM)



WIRING DIAGRAM



Batteries should be installed within a year. Batteries must be tested and recharged at least once every 18 months to maintain proper function and avoid loss of warranty

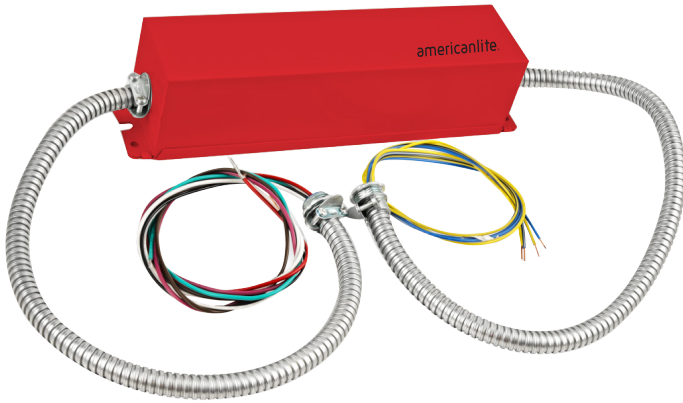
ORDERING INFORMATION

Model	Packing information	Options
AL585006	28.5 x 22.5 x 24 cm / 6 pcs per master / G.W. 19.9 / N.W. 15.9 KGS	Without conduit, add "X" after code

LED Emergency Inverter (for internal driver)

americanlite®

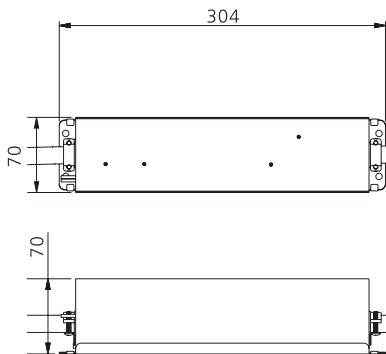
40w



PRODUCT OVERVIEW

- To be use with fixtures with internal driver, led tubes (by pass only, no dimmable) or led lamps with max 40w.
- Constant power output - Provides constant wattage to the LED array, preventing degradation of emergency illumination for the required runtime
- Suitable for enclosed and gasket fixtures
- 0° to 50°C indoor damp location listed
- Durable heavy duty steel housing
- Innovative, easy installation in minutes
- 120-277VAC/50-60Hz universal voltage operation
- Li-ion battery
 - 90 minutes emergency operation
- Maximum 24 hours for full recharge time
- Test switch and charge indicator

DIMENSIONS (MM)

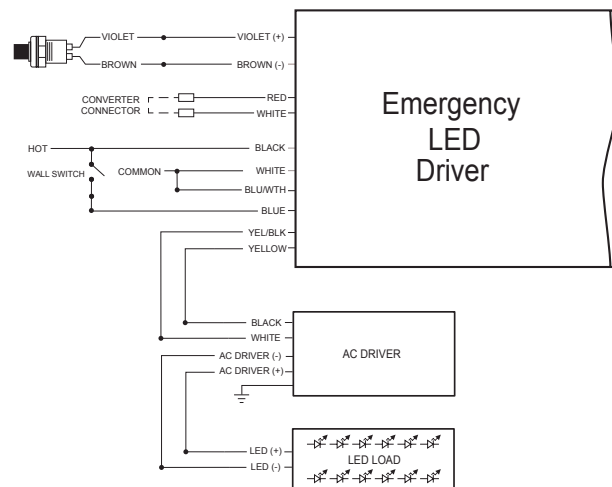


SPECIFICATIONS

Mode of Operation	Works with internal driver fixtures only
Input Wattage	6.5W
Input Current	85-65mA
Output Voltage	110-180VDC (120VAC)
Output Power	40W Max
Battery	11.1V7000mAh Li-Ion
Max Charge Current (mA)	350mA
Max Discharge Current (mA)	5000mA
Lumen Output	100%
Working Temperature	0°C-50°C

- Complies with IEC60598-2-22

WIRING DIAGRAM



Batteries should be installed within a year. Batteries must be tested and recharged at least once every 18 months to maintain proper function and avoid loss of warranty.

ORDERING INFORMATION

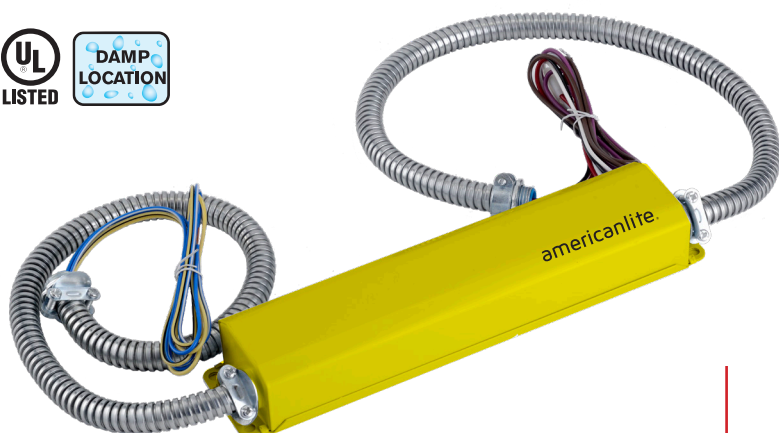
Model	Packing information	Option
AL585027	46.5 X 32 X 26.5 cm / 6 pcs per master / G.W. 12.7 KGS / N.W. 11.7 KGS	Without conduit, add "X" after code

LED Emergency Driver (for external driver)

americanlite®



4w



UL Listed for factory installation or field installation

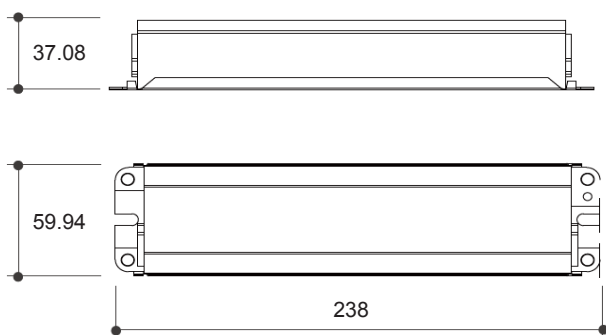
SPECIFICATIONS

Mode of Operation	Works with external driver fixtures only
Input Wattage	5W
Input Current	36-50mA
Output Voltage	3-60VDC
Output Power	4W Max
Battery	4.8V2800mAh Ni-Cad
Max Charge Current (mA)	250mA
Max Discharge Current (mA)	1500mA
Maximum Lumen Output	4w x lumen/watt of the fixture
Working Temperature	0°C-50°C

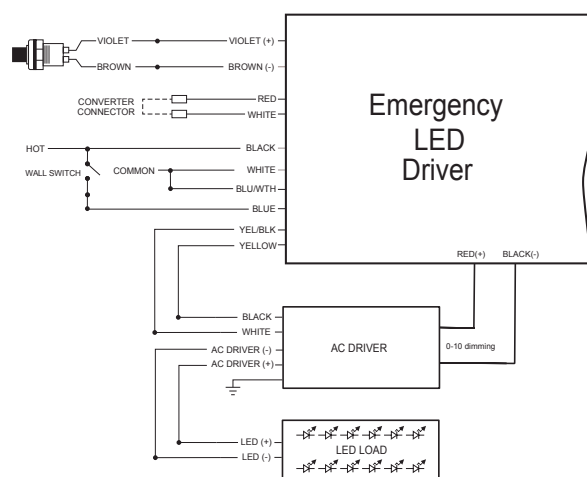
PRODUCT OVERVIEW

- To be use with fixtures with external driver
- Constant power output - Provides constant wattage to the LED array, preventing degradation of emergency illumination for the required runtime
- Suitable for enclosed and gasket fixtures
- 0° to 50°C indoor damp location listed
- UL listed for field installation
- Meets UL924
- Durable heavy duty steel housing
- Innovative, easy installation in minutes
- 120-277VAC/50-60Hz universal voltage operation
- Built-in Nickel cadmium battery for minimum 90 minutes emergency operation
- Maximum 24 hours for full recharge time
- Test switch and charge indicator

DIMENSIONS (MM)



WIRING DIAGRAM



Batteries should be installed within a year. Batteries must be tested and recharged at least once every 18 months to maintain proper function and avoid loss of warranty.

ORDERING INFORMATION

Model	Packing information	Option
AL585005	30.5 x 23.5 x 16.5 cm / 6 pcs per master / G.W. 5.3 / N.W. 4.3KGS	Without conduit, add "X" after code

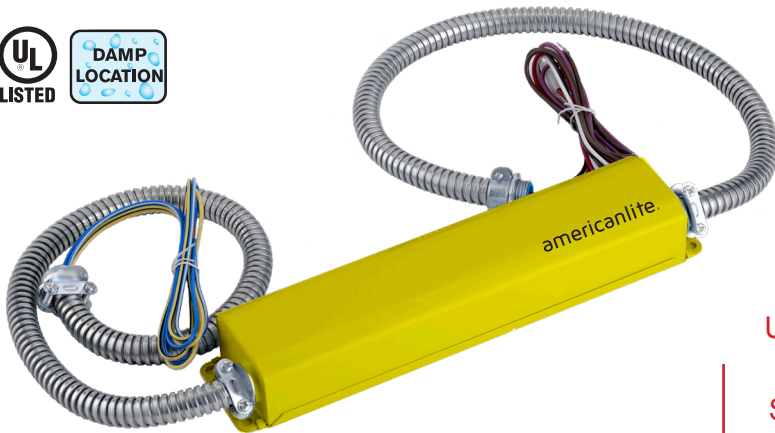
LED Emergency Driver

(for external driver) High Output Voltage

americanlite®



4w



UL Listed for factory installation or field installation

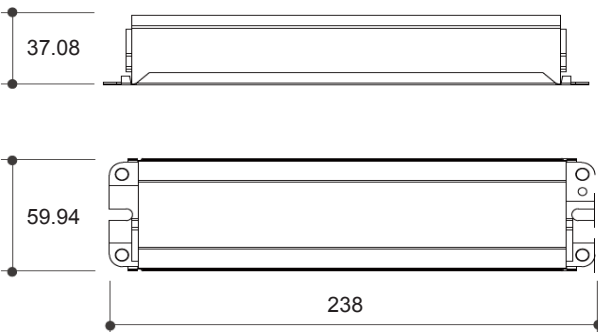
SPECIFICATIONS

Mode of Operation	Works with external driver fixtures only
Input Wattage	5W
Input Current	36-50mA
Output Voltage	100-150VDC
Output Power	4W Max
Battery	4.8V2800mAh Ni-Cad
Max Charge Current (mA)	230mA
Max Discharge Current (mA)	1500mA
Maximum Lumen Output	4w x lumen/watt of the fixture
Working Temperature	0°C-50°C

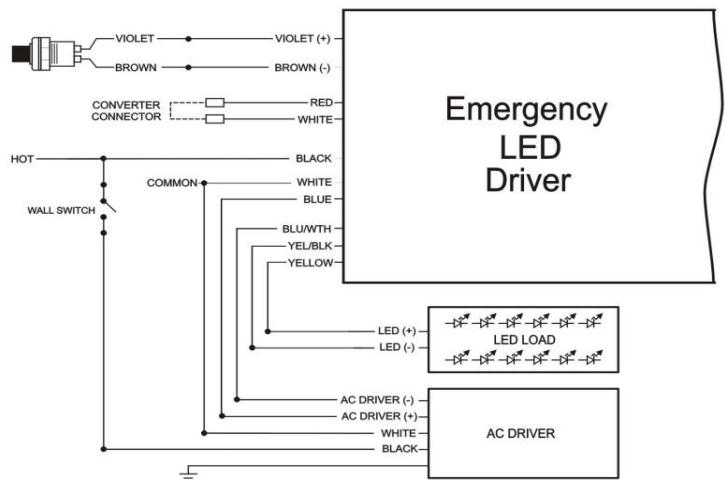
PRODUCT OVERVIEW

- To be use with fixtures with external driver
- Constant power output - Provides constant wattage to the LED array, preventing degradation of emergency illumination for the required runtime
- Suitable for enclosed and gasket fixtures
- 0° to 50°C indoor damp location listed
- UL listed for field installation
- Meets UL924
- Durable heavy duty steel housing
- Innovative, easy installation in minutes
- 120-277VAC/50-60Hz universal voltage operation
- Built-in Nickel cadmium battery for minimum 90 minutes emergency operation
- Maximum 24 hours for full recharge time
- Test switch and charge indicator

DIMENSIONS (MM)



WIRING DIAGRAM



Batteries should be installed within a year. Batteries must be tested and recharged at least once every 18 months to maintain proper function and avoid loss of warranty.

ORDERING INFORMATION

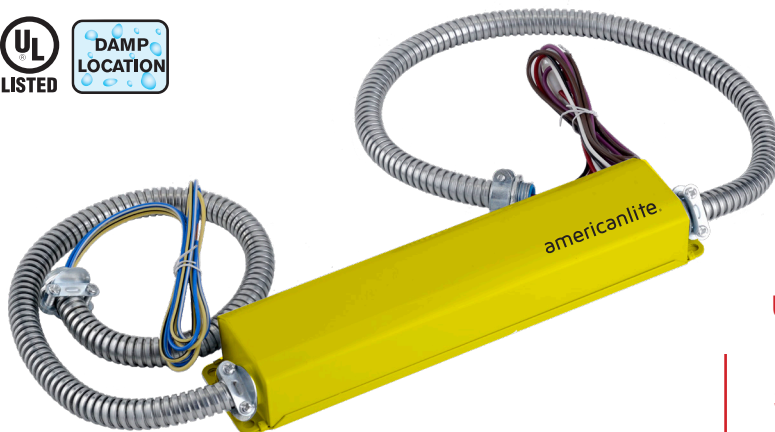
Model	Packing information	Option
AL585009	30.5 x 23.5 x 16.5 cm / 6 pcs per master / G.W. 5.3 / N.W. 4.3KGS	Without conduit, add "X" after code

LED Emergency Driver

(for external driver)

americanlite®

8w



UL Listed for factory installation or field installation

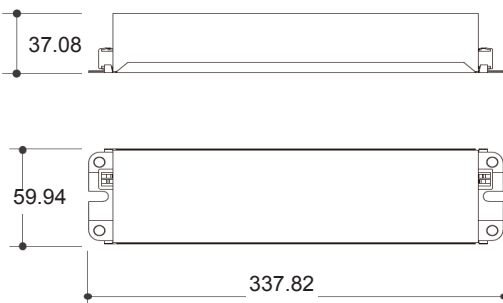
SPECIFICATIONS

Mode of Operation	Works with external driver fixtures only
Input Wattage	5.5W
Input Current	40-50mA
Output Voltage	3-60VDC
Output Power	8W Max
Battery	6V4000mAh Ni-Cad
Max Charge Current (mA)	420mA
Max Discharge Current (mA)	2200mA
Maximum Lumen Output	8w x lumen/watt of the fixture
Working Temperature	0°C-50°C

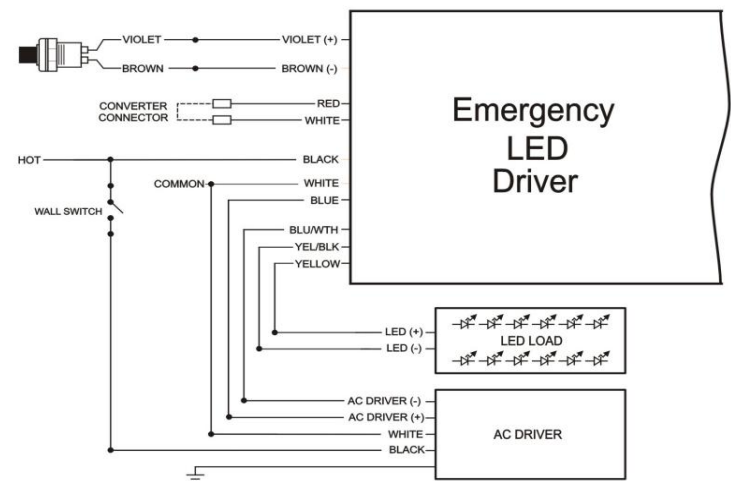
PRODUCT OVERVIEW

- To be use with fixtures with external drive
- Constant power output - Provides constant wattage to the LED array, preventing degradation of emergency illumination for the required runtime
- Suitable for enclosed and gasket fixtures
- 0° to 50°C indoor damp location listed
- UL listed for field installation
- Meets UL924
- Durable heavy duty steel housing
- Innovative, easy installation in minutes
- 120-277VAC/50-60Hz universal voltage operation
- Built-in Nickel cadmium battery for minimum 90 minutes emergency operation
- Maximum 24 hours for full recharge time
- Test switch and charge indicator

DIMENSIONS (MM)



WIRING DIAGRAM



Batteries should be installed within a year. Batteries must be tested and recharged at least once every 18 months to maintain proper function and avoid loss of warranty.

ORDERING INFORMATION

Model	Packing information	Option
AL585008	40 x 25 x 15.5 cm / 6 pcs per master / G.W. 8.3 / N.W. 7.3KGS	Without conduit, add "X" after code

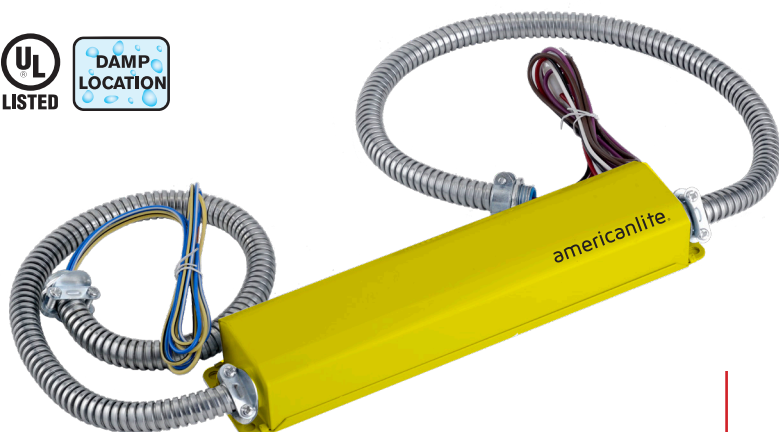
LED Emergency Driver

(for external driver) High Output Voltage

americanlite®



8w



UL Listed for factory installation or field installation

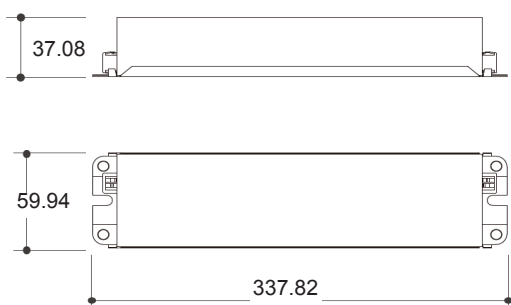
SPECIFICATIONS

Mode of Operation	Works with external driver fixtures only
Input Wattage	5.5W
Input Current	40-50mA
Output Voltage Options	60-100VDC or 100-150VDC
Output Power	8W Max
Battery	6V4000mAh Ni-Cad
Max Charge Current (mA)	210mA
Max Discharge Current (mA)	2200mA
Maximum Lumen Output	8w x lumen/watt of the fixture
Working Temperature	0°C-50°C

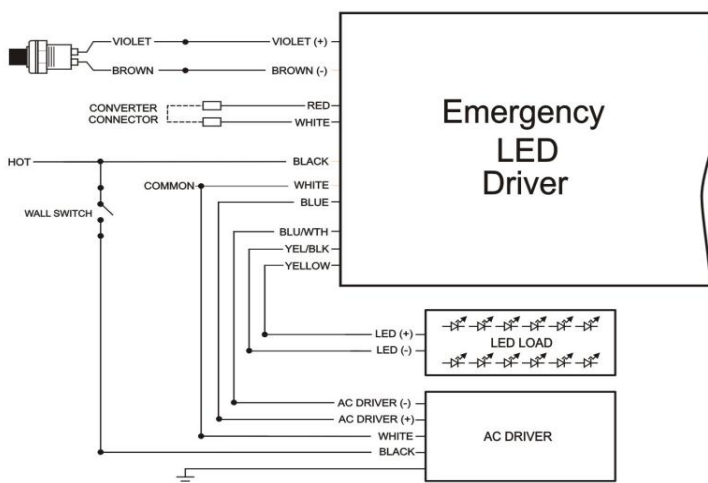
PRODUCT OVERVIEW

- To be use with fixtures with external driver
- Constant power output - Provides constant wattage to the LED array, preventing degradation of emergency illumination for the required runtime
- Suitable for enclosed and gasket fixtures
- 0° to 50°C indoor damp location listed
- UL listed for field installation
- Meets UL924
- Durable heavy duty steel housing
- Innovative, easy installation in minutes
- 120-277VAC/50-60Hz universal voltage operation
- Built-in Nickel cadmium battery for minimum 90 minutes emergency operation
- Maximum 24 hours for full recharge time
- Test switch and charge indicator

DIMENSIONS



WIRING DIAGRAM



Batteries should be installed within a year. Batteries must be tested and recharged at least once every 18 months to maintain proper function and avoid loss of warranty.

ORDERING INFORMATION

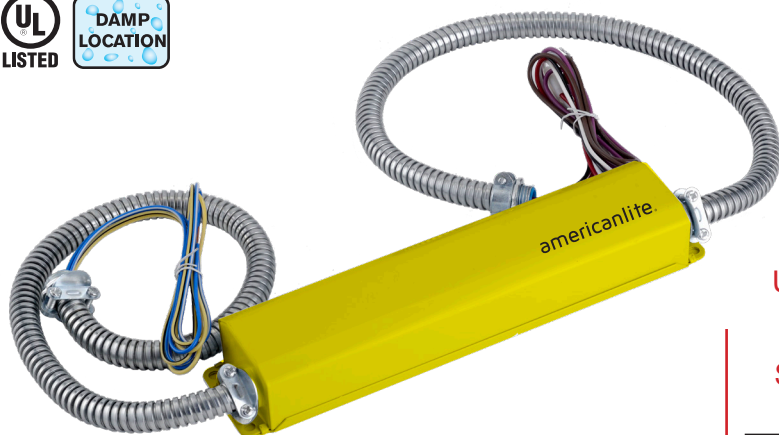
Model	Type	Option	Packing information
AL585010	HV1 = 60-100V	X = No Flex Conduit	40 x 25 x 15.5 cm / 6 pcs per master / G.W. 8.3 / N.W. 7.3KGS
AL585010	HV2= 100-150V		

LED Emergency Driver

(for external driver)

americanlite®

10w



UL Listed for factory installation or field installation

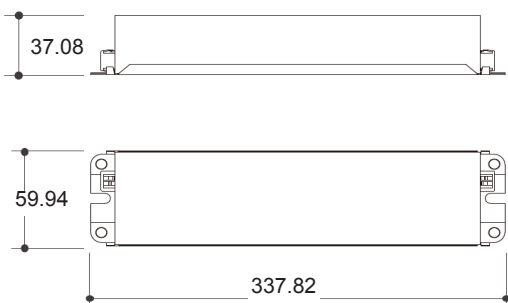
SPECIFICATIONS

Mode of Operation	Works with external driver fixtures only
Input Wattage	5W
Input Current	85-50mA
Output Voltage	20-50VDC
Output Power	10.4W Max
Battery	6V4500mAh Ni-Cad
Max Charge Current (mA)	420mA
Max Discharge Current (mA)	2500mA
Maximum Lumen Output	10W x lumen/watt of the fixture
Working Temperature	0°C-50°C

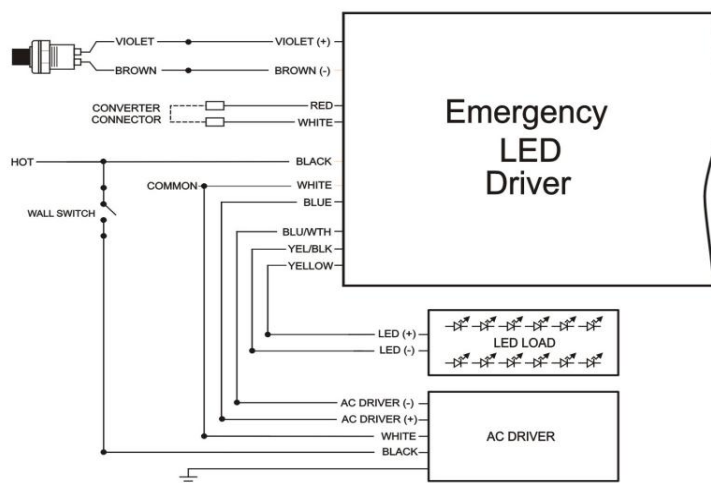
PRODUCT OVERVIEW

- To be use with fixtures with external driver
- Constant power output - Provides constant wattage to the LED array, preventing degradation of emergency illumination for the required runtime
- Suitable for enclosed and gasket fixtures
- 0° to 50°C indoor damp location listed
- UL listed for field installation
- Meets UL924
- Durable heavy duty steel housing
- Innovative, easy installation in minutes
- 120-277VAC/50-60Hz universal voltage operation
- Built-in Nickel cadmium battery for minimum 90 minutes emergency operation

DIMENSIONS (MM)



WIRING DIAGRAM



Batteries should be installed within a year. Batteries must be tested and recharged at least once every 18 months to maintain proper function and avoid loss of warranty.ty.

ORDERING INFORMATION

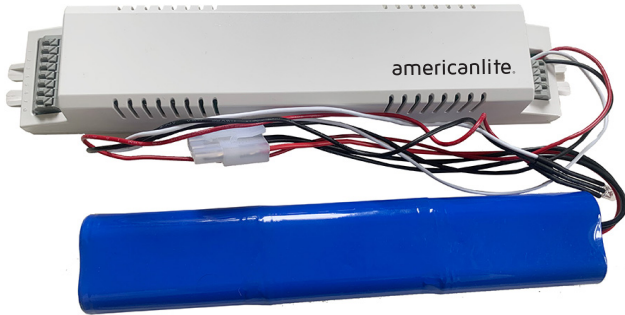
Model	Packing information	Option
AL585011	40 x 25 x 15.5 cm / 6 pcs per master / G.W. 8.3 / N.W. 7.3KGS	Without conduit, add "X" after code

LED Emergency Driver (for internal driver)

americanlite®



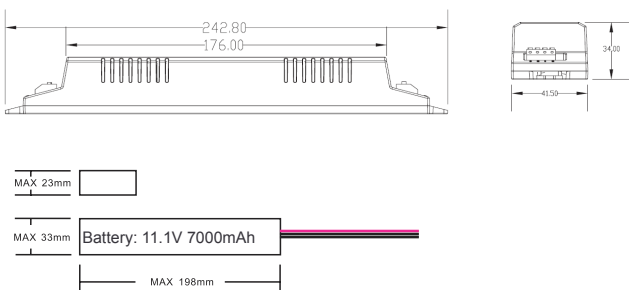
20w



PRODUCT OVERVIEW

- To be use with fixtures with internal driver, led tubes (by pass only, no dimmable) or led lamps with max 20w.
- Constant power output - Provides constant wattage to the LED array, preventing degradation of emergency illumination for the required runtime
- Suitable for enclosed and gasket fixtures
- 0° to 50°C indoor damp location listed
- CE Cerification
- ABS Housing
- Innovative, easy installation in minutes
- 100-277VAC/50-60Hz
- Li-ion for minimum 90 minutes emergency operation
- Maximum 24 hours for full recharge time
- Test switch and charge indicator

DIMENSIONS (MM)

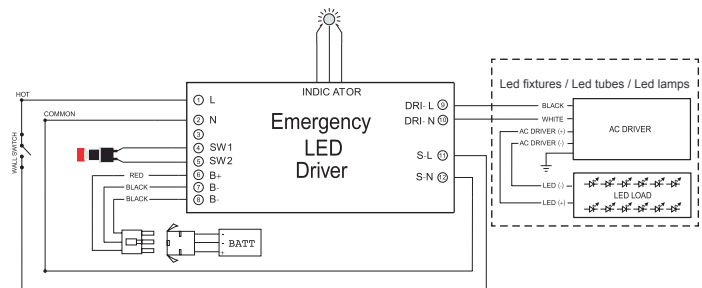


SPECIFICATIONS

Mode of Operation	Works with internal driver fixtures only
Input Wattage	6.5W
Input Current	55mA Max
Output Voltage	110-180VDC(120VAC)
Output Power	20W Max
Battery	11.1V4000mAh Li-ion
Max Charge Current (mA)	350mA
Max Discharge Current (mA)	2500mA
Lumen Output	100%
Working Temperature	0°C-50°C

- Complies with IEC60598-2-22

WIRING DIAGRAM



Batteries should be installed within a year. Batteries must be tested and recharged at least once every 18 months to maintain proper function and avoid loss of warranty.

ORDERING INFORMATION

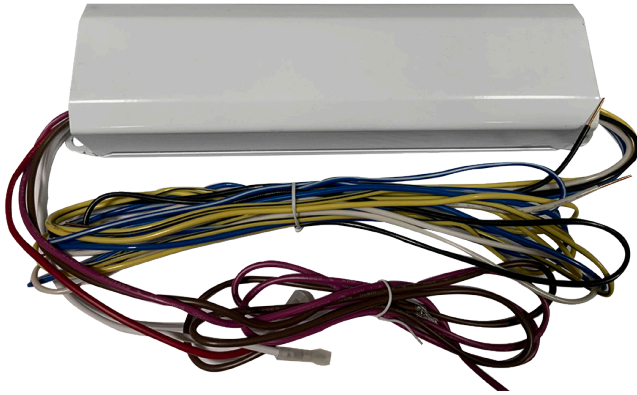
Model	Packing information
AL585024	34 x 22 x 15 cm / 6 pcs per master / G.W. 9.5 / N.W. 8.5KGS

LED Emergency Driver (for internal driver)

americanlite®



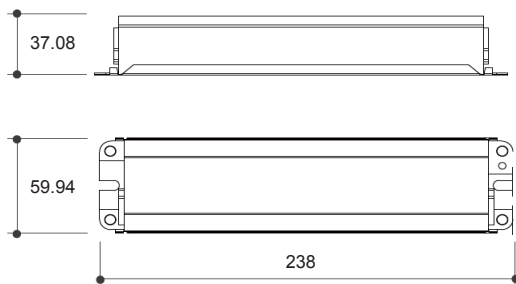
20w



PRODUCT OVERVIEW

- To be use with fixtures with internal driver, led tubes (by pass only, no dimmable) or led lamps with max 20w.
- Constant power output - Provides constant wattage to the LED array, preventing degradation of emergency illumination for the required runtime
- Suitable for enclosed and gasket fixtures
- 0° to 50°C indoor damp location listed
- CE Cerification
- ABS Housing
- Innovative, easy installation in minutes
- 100-277VAC/50-60Hz
- Li-ion for minimum 90 minutes emergency operation
- Maximum 24 hours for full recharge time
- Test switch and charge indicator

DIMENSIONS (MM)

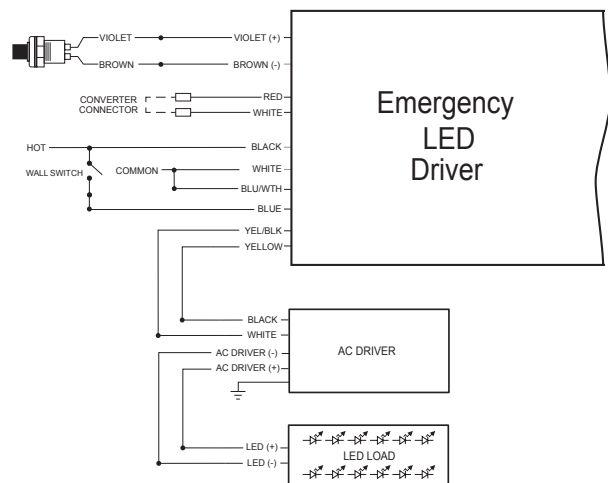


SPECIFICATIONS

Mode of Operation	Works with internal driver fixtures only
Input Wattage	6.5W
Input Current	55mA Max
Output Voltage	110-180VDC(120VAC)
Output Power	20W Max
Battery	11.1V4000mAh Li-ion
Max Charge Current (mA)	350mA
Max Discharge Current (mA)	2500mA
Lumen Output	100%
Working Temperature	0°C-50°C

- Complies with IEC60598-2-22

WIRING DIAGRAM



Batteries should be installed within a year. Batteries must be tested and recharged at least once every 18 months to maintain proper function and avoid loss of warranty.

ORDERING INFORMATION

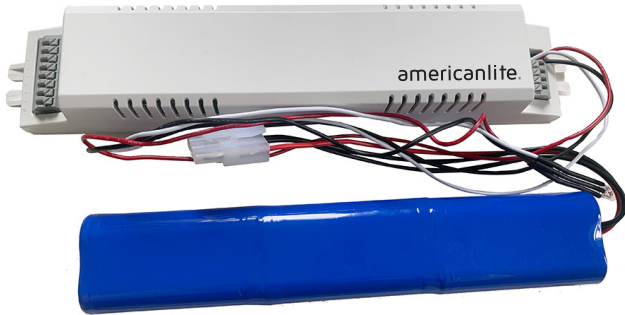
Model	Packing information
AL585034	30.5 x 23.5 x 16.5 cm / 6 pcs per master / G.W. 5.3 / N.W. 4.3KGS

LED Emergency Inverter (for internal driver)

americanlite®



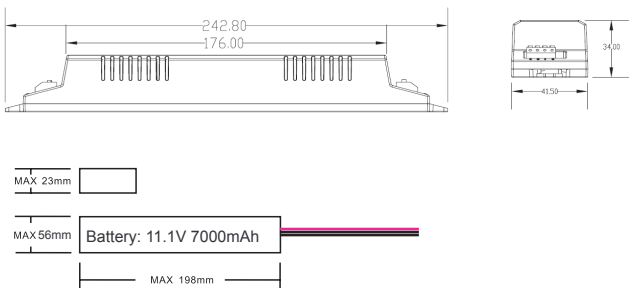
40w



PRODUCT OVERVIEW

- To be use with fixtures with internal driver, led tubes (by pass only, no dimmable) or led lamps with max 40w.
- Constant power output - Provides constant wattage to the LED array, preventing degradation of emergency illumination for the required runtime
- Suitable for enclosed and gasket fixtures
- 0° to 50°C indoor damp location listed
- ABS housing
- Innovative, easy installation in minutes
- 120-277VAC/50-60Hz universal voltage operation
- Li-ion for minimum 90 minutes emergency operation
- 90 minutes emergency operation
- Maximum 24 hours for full recharge time
- Test switch and charge indicator

DIMENSIONS (MM)

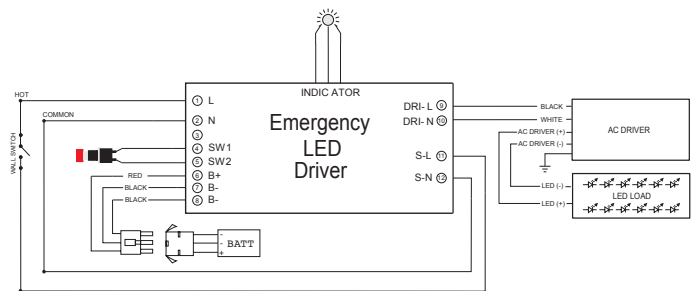


SPECIFICATIONS

Mode of Operation	Works with internal driver fixtures only
Input Wattage	6.5W
Input Current	85-65mA
Output Voltage	110-180VDC (120VAC)
Output Power	40W Max
Battery	11.1V7000mAh Li-ion
Max Charge Current (mA)	350mA
Max Discharge Current (mA)	5000mA
Lumen Output	100%
Working Temperature	0°C-50°C

- Complies with IEC60598-2-22

WIRING DIAGRAM



Batteries should be installed within a year. Batteries must be tested and recharged at least once every 18 months to maintain proper function and avoid loss of warranty.

ORDERING INFORMATION

Model	Packing information
AL585026	28.1 x 25.6 x 21.4 cm / 8 pcs per master / G.W. 9 KGS / N.W. 8 KGS

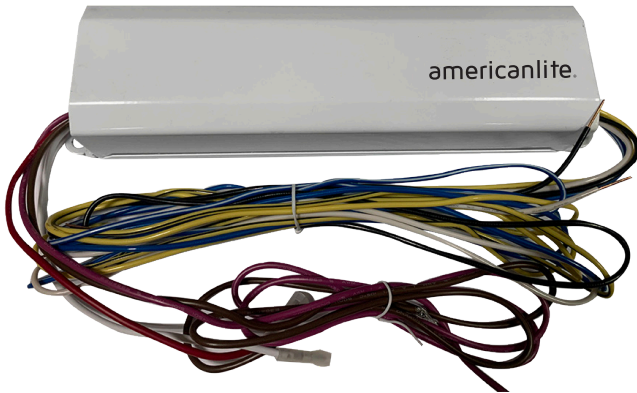
LED Emergency Driver

(for external driver)

americanlite®



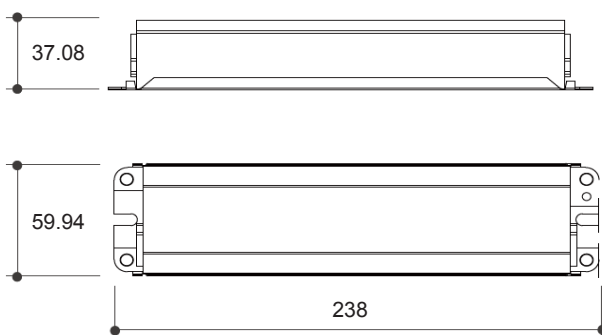
4w



PRODUCT OVERVIEW

- To be use with fixtures with external driver
- Constant power output - Provides constant wattage to the LED array, preventing degradation of emergency illumination for the required runtime
- Suitable for enclosed and gasket fixtures
- 0° to 50°C indoor damp location listed
- Durable heavy duty steel housing
- Innovative, easy installation in minutes
- 120-277VAC/50-60Hz universal voltage operation
- Li-ion for minimum 90 minutes emergency operation
- Maximum 24 hours for full recharge time
- Test switch and charge indicator

DIMENSIONS (MM)

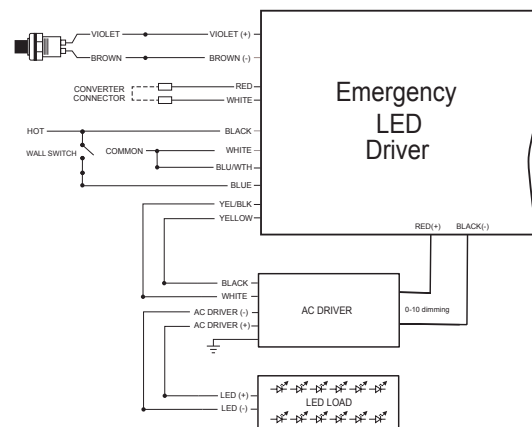


SPECIFICATIONS

Mode of Operation	Works with external driver fixtures only
Input Wattage	5W
Input Current	36-50mA
Output Voltage	3-60VDC
Output Power	4W Max
Battery	3.7V4000mAh Li-ion
Max Charge Current (mA)	250mA
Max Discharge Current (mA)	1500mA
Maximum Lumen Output	4w x lumen/watt of the fixture
Working Temperature	0°C-50°C

- Complies with IEC60598-2-22

WIRING DIAGRAM



Batteries should be installed within a year. Batteries must be tested and recharged at least once every 18 months to maintain proper function and avoid loss of warranty.

ORDERING INFORMATION

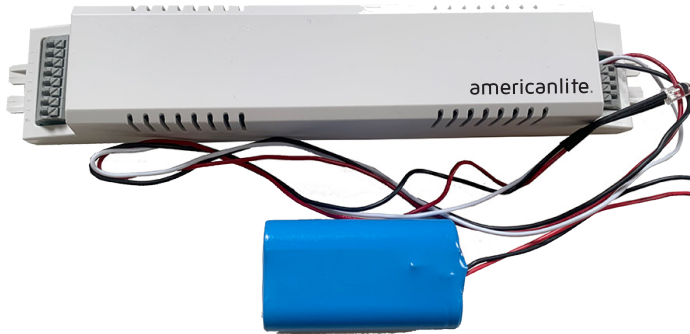
Model	Packing information
AL585012	30.5 x 23.5 x 16.5 cm / 6 pcs per master / G.W. 5.3 / N.W. 4.3KGS

LED Emergency Driver (for external driver)

americanlite®



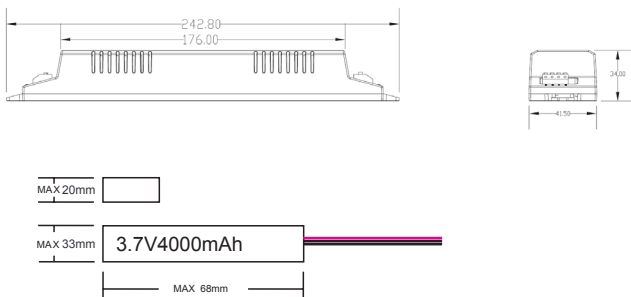
4w



PRODUCT OVERVIEW

- To be use with fixtures with internal driver,
- Constant power output - Provides constant wattage to the LED array, preventing degradation of emergency illumination for the required runtime
- Suitable for enclosed and gasket fixtures
- 0° to 50°C indoor damp location listed
- CE Cerification
- ABS housing
- Innovative, easy installation in minutes
- 85-265VAC/50-60Hz
- Li-ion for minimum 90 minutes emergency operation
- Maximum 24 hours for full recharge time
- Test switch and charge indicator

DIMENSIONS (MM)

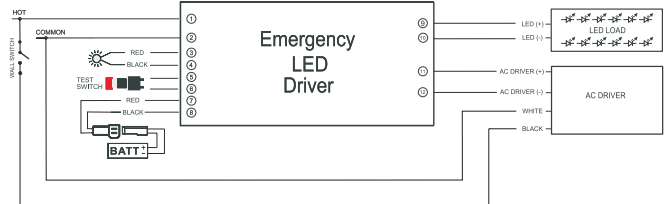


SPECIFICATIONS

Mode of Operation	Works with external driver fixtures only
Input Wattage	4.5W
Input Current	10-40mA
Output Voltage	3-60VDC
Output Power	4W Max
Battery	3.7V4000mAh Li-ion
Max Charge Current (mA)	300mA
Max Discharge Current (mA)	1500mA
Lumen Output	4w x lumen/watt of the fixture
Working Temperature	0°C-50°C

- Complies with IEC60598-2-22

WIRING DIAGRAM



Batteries should be installed within a year. Batteries must be tested and recharged at least once every 18 months to maintain proper function and avoid loss of warranty.

ORDERING INFORMATION

Model	Packing information
AL585020	26 x 22 x 15 cm / 6 pcs per master / G.W. 5.5 / N.W. 4.5KGS

LED Emergency Driver

(for external driver)

americanlite®



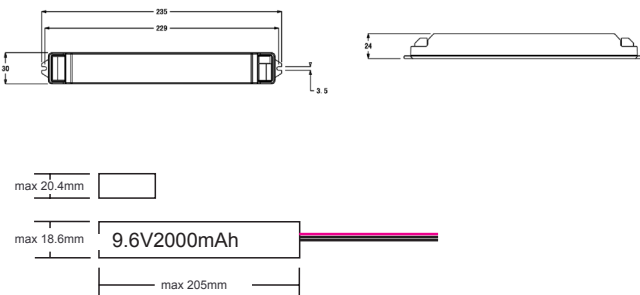
5w



PRODUCT OVERVIEW

- To be use with fixtures with external driver
- Constant power output - Provides constant wattage to the LED array, preventing degradation of emergency illumination for the required runtime
- Suitable for enclosed and gasket fixtures
- 0° to 55°C indoor damp location listed
- CE Cerification
- ABS housing
- Innovative, easy installation in minutes
- 220-240VAC 50/60Hz
- LifePO4 for minimum 120 minutes emergency operation
- Maximum 24 hours for full recharge time
- Test switch and charge indicator
- Illumination time >120 min

DIMENSIONS (MM)

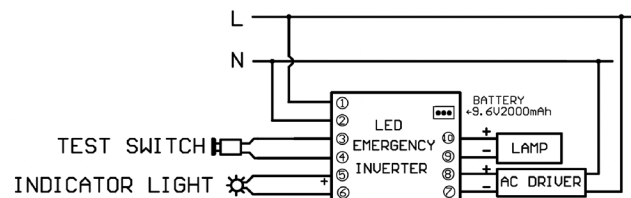


SPECIFICATIONS

Mode of Operation	Works with external driver fixtures only
Input Wattage	4W
Output Voltage	100 - 190VDC
Input Current	32mA Max
Output Current	<30MA
Output Power	5W
Battery	9.6VDC 2000mAH LifePO4
Max Charge Current (mA)	200mA
Max Discharge Current (mA)	900mA
Lumen Output	5w x lumen/watt of the fixture
Working Temperature	0°C-55°C

- Complies with IEC60598-2-22

WIRING DIAGRAM



Batteries should be installed within a year. Batteries must be tested and recharged at least 2 times per year to maintain proper function and avoid loss of warranty.y.

ORDERING INFORMATION

Model	Packing information
AL582021	26 x 22 x 15 cm / 6 pcs per master / G.W. 5.5 / N.W. 4.5KGS

LED Emergency Driver

(for external driver)

americanlite®



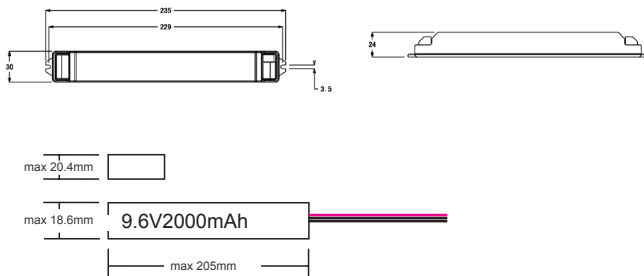
5w



PRODUCT OVERVIEW

- To be use with fixtures with external driver
- Constant power output - Provides constant wattage to the LED array, preventing degradation of emergency illumination for the required runtime
- Suitable for enclosed and gasket fixtures
- 0° to 55°C indoor damp location listed
- CE Cerification
- ABS housing
- Innovative, easy installation in minutes
- 220-240VAC 50/60Hz
- LifePO4 for minimum 120 minutes emergency operation
- Maximum 24 hours for full recharge time
- Test switch and charge indicator
- Illumination time >120 min

DIMENSIONS (MM)

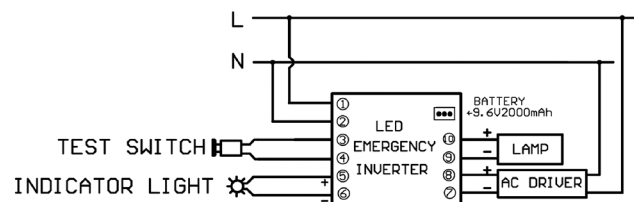


SPECIFICATIONS

Mode of Operation	Works with external driver fixtures only
Input Wattage	4W
Output Voltage	200-280VDC
Input Current	32mA Max
Output Current	<20mA
Output Power	5W Max
Battery	9.6V2000mAh LiFePO4
Max Charge Current (mA)	200mA
Max Discharge Current (mA)	900mA
Lumen Output	5w x lumen/watt of the fixture
Working Temperature	0°C-50°C

- Complies with IEC60598-2-22

WIRING DIAGRAM



Batteries should be installed within a year. Batteries must be tested and recharged at least 2 times per year to maintain proper function and avoid loss of warranty.y.

ORDERING INFORMATION

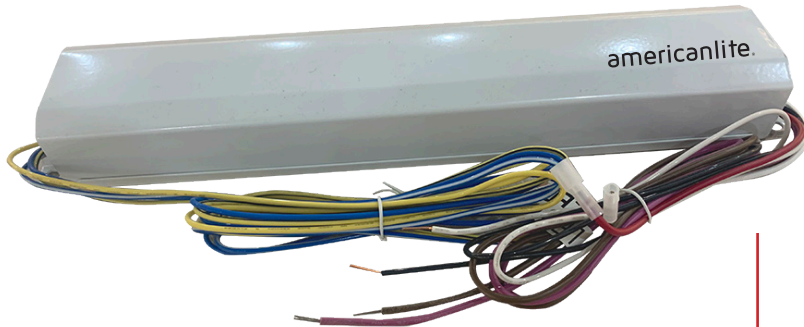
Model	Packing information
AL582022	26 x 22 x 15 cm / 6 pcs per master / G.W. 5.5 / N.W. 4.5KGS

LED Emergency Driver (for external driver)

americanlite®



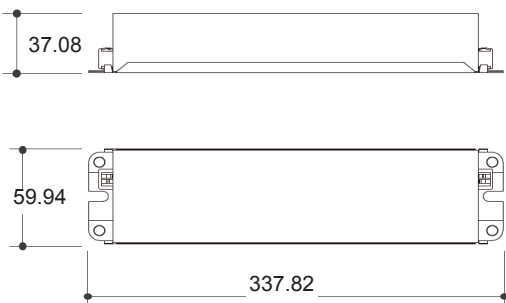
8w



PRODUCT OVERVIEW

- To be use with fixtures with external drive
- Constant power output - Provides constant wattage to the LED array, preventing degradation of emergency illumination for the required runtime
- Suitable for enclosed and gasket fixtures
- 0° to 50°C indoor damp location listed
- Durable heavy duty steel housing
- Innovative, easy installation in minutes
- 120-277VAC/50-60Hz universal voltage operation
- Li-ion for minimum 90 minutes emergency operation
- Maximum 24 hours for full recharge time
- Test switch and charge indicator

DIMENSIONS (MM)

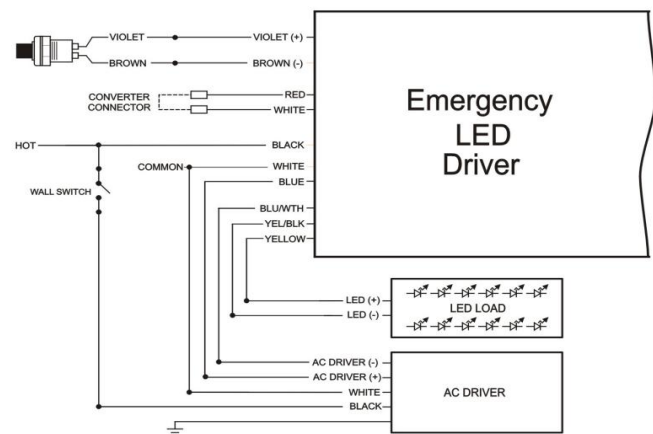


SPECIFICATIONS

Mode of Operation	Works with external driver fixtures only
Input Wattage	5.5W
Input Current	40-50mA
Output Voltage	3-60VDC
Output Power	8W Max
Battery	7.4V4000mAh Li-ion
Max Charge Current (mA)	420mA
Max Discharge Current (mA)	2200mA
Maximum Lumen Output	8w x lumen/watt of the fixture
Working Temperature	0°C-50°C

- Complies with IEC60598-2-22

WIRING DIAGRAM



Batteries should be installed within a year. Batteries must be tested and recharged at least once every 18 months to maintain proper function and avoid loss of warranty..

ORDERING INFORMATION

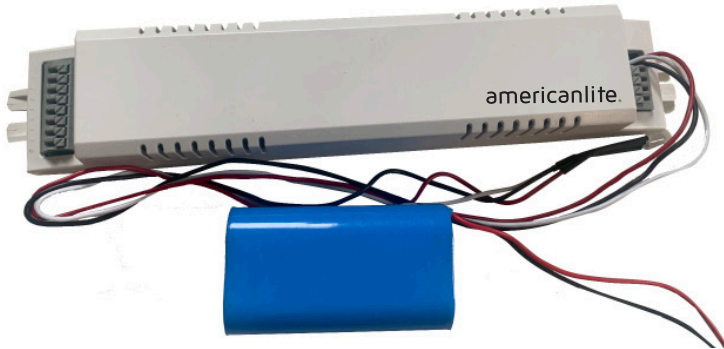
Model	Packing information
AL585013	40 x 25 x 15.5 cm / 6 pcs per master / G.W. 8.3 / N.W. 7.3KGS

LED Emergency Driver (for external driver)

americanlite®



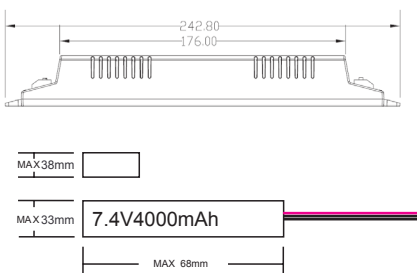
8w



PRODUCT OVERVIEW

- To be use with fixtures with internal driver,
- Constant power output - Provides constant wattage to the LED array, preventing degradation of emergency illumination for the required runtime
- Suitable for enclosed and gasket fixtures
- 0° to 50°C indoor damp location listed
- CE Cerification
- ABS housing
- Innovative, easy installation in minutes
- 85-265VAC/50-60Hz
- Li-ion for minimum 90 minutes emergency operation
- Maximum 24 hours for full recharge time
- Test switch and charge indicator

DIMENSIONS (MM)

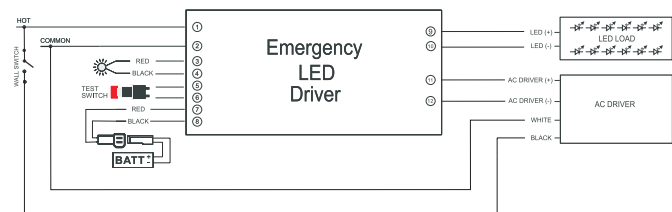


SPECIFICATIONS

	Works with external driver fixtures only
Input Wattage	5.5W
Input Current	10-50mA
Output Voltage	3-60VDC
Output Power	8W Max
Battery	7.4V4000mAh Li-ion
Max Charge Current (mA)	300mA
Max Discharge Current (mA)	2200mA
Lumen Output	8w x lumen/watt of the fixture
Working Temperature	0°C-50°C

- Complies with IEC60598-2-22

WIRING DIAGRAM



Batteries should be installed within a year. Batteries must be tested and recharged at least once every 18 months to maintain proper function and avoid loss of warranty.

ORDERING INFORMATION

Model	Packing information
AL585023	28 x 22 x 15 cm / 6 pcs per master / G.W. 8.2 / N.W. 7.2KGS

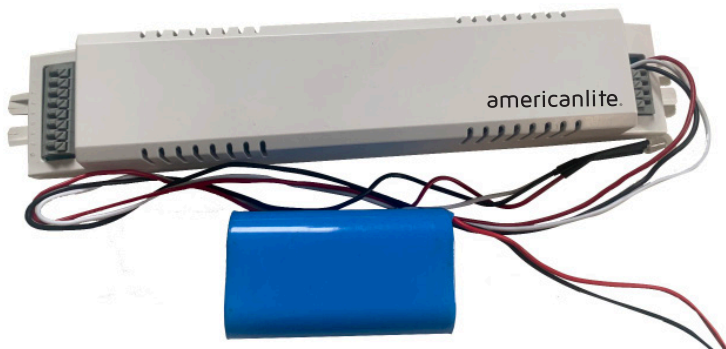
LED Emergency Driver

(for external driver) High Output Voltage

americanlite®



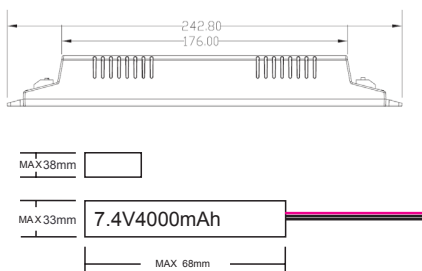
8w



PRODUCT OVERVIEW

- To be use with fixtures with internal driver,
- Constant power output - Provides constant wattage to the LED array, preventing degradation of emergency illumination for the required runtime
- Suitable for enclosed and gasket fixtures
- 0° to 50°C indoor damp location listed
- CE Cerification
- ABS housing
- Innovative, easy installation in minutes
- 85-265VAC/50-60Hz
- Li-ion for minimum 90 minutes emergency operation
- Maximum 24 hours for full recharge time
- Test switch and charge indicator

DIMENSIONS (MM)

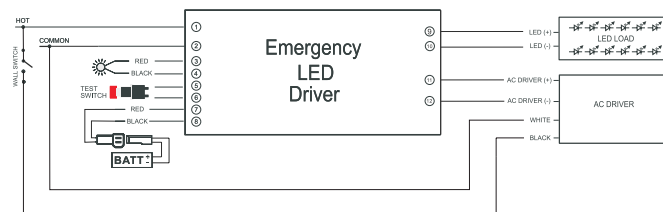


SPECIFICATIONS

	Works with external driver fixtures only
Input Wattage	5.5W
Input Current	10-50mA
Output Voltage	60-100VDC or 100-150VDC
Output Power	8W Max
Battery	7.4V4000mAh Li-ion
Max Charge Current (mA)	300mA
Max Discharge Current (mA)	2200mA
Lumen Output	8w x lumen/watt of the fixture
Working Temperature	0°C-50°C

- Complies with IEC60598-2-22

WIRING DIAGRAM



Batteries should be installed within a year. Batteries must be tested and recharged at least once every 18 months to maintain proper function and avoid loss of warranty..

ORDERING INFORMATION

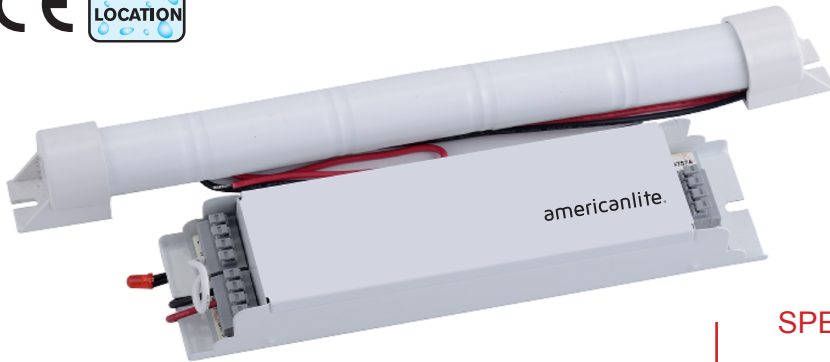
Model	Type	Packing information
AL585023HV1	HV1 = 60-100V	28 x 22 x 15 cm / 6 pcs per master / G.W. 8.2 / N.W. 7.2KGS
AL585023HV2	HV2= 100-150V	

LED Emergency Driver (for internal or external driver)

americanlite®



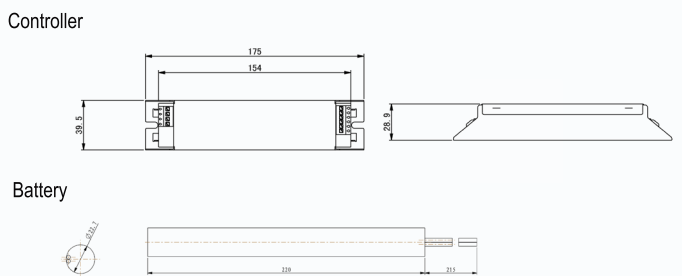
5w



PRODUCT OVERVIEW

- Constant power output - Provides constant wattage to the LED array, preventing degradation of emergency illumination for the required runtime
- Suitable for enclosed and gasket fixtures
- 0° to 50°C indoor damp location listed
- CE Certification
- Durable heavy duty steel housing
- Innovative, easy installation in minutes
- 85-265VAC/50-60Hz
- Nickel cadmium battery for minimum 90 minutes emergency operation
- Maximum 24 hours for full recharge time
- Test switch and charge indicator

DIMENSIONS (MM)



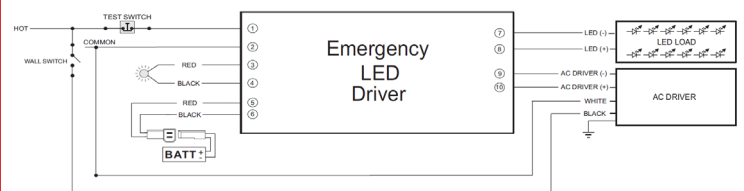
SPECIFICATIONS

Mode of Operation	Works with internal driver, fixtures less than 5w Works with external driver, fixtures less than 36w
Input Wattage	4W
Input Current	20-10mA
Output Voltage	180-320VDC(120-230VAC) for internal driver 3-60VDC for external driver
Output Power	5W Max
Battery	6V2000mAh Ni-Cad
Max Charge Current (mA)	250mA
Max Discharge Current (mA)	1200mA
Lumen Output	100% on internal driver / 15% on external driver
Working Temperature	0°C-50°C

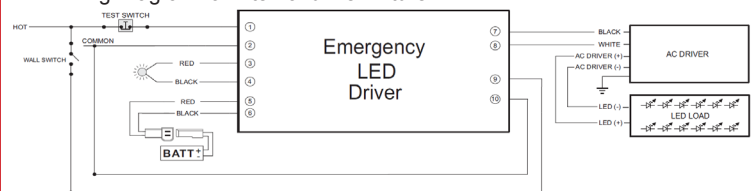
- Complies with IEC60598-2-22

WIRING DIAGRAM

Wiring Diagram for external driver fixture



Wiring Diagram for internal driver fixture



Batteries should be installed within a year. Batteries must be tested and recharged at least once every 18 months to maintain proper function and avoid loss of warranty.n ty.

ORDERING INFORMATION

Model	Packing information
AL585019	6 pcs per master / G.W. 3.5/ N.W. 3KGS

Remote Test Switch



APPLICATION

- RTS provides remote capability for Americanlite LED ER drivers.

ELECTRICAL

- Power "ON" LED indicator light and push-to-test switch for mandated code compliance testing.

MOUNTING

- Remote Test Switch can be mounted to any standard switch box.
- Suitable for wall or ceiling mount.

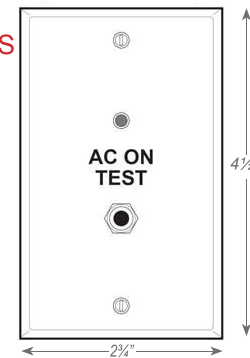
CONSTRUCTION

- Injection-molded, engineering-grade, V-0 flame retardant mounting plate in white finish.

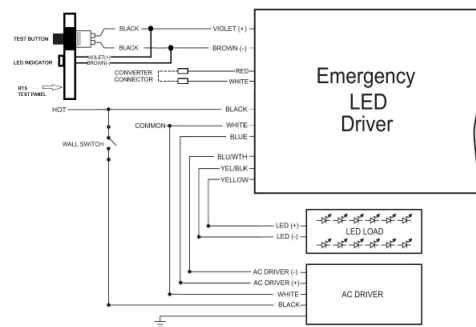
WARRANTY/LISTING

- Five year warranty.
- For indoor damp locations (0° - 40°C).

DIMENSIONS



WIRING DIAGRAM



ORDERING INFORMATION

Model

RTS

PACKING INFORMATION

Pieces per master	Box Dimensions (cm)	CBM (Master)	Gross weight (Kg)
200	50x44x39	0.0858	15



Warranty

Americanlite® is pleased to provide a 5 year limited warranty covering the Emergency LED drivers on this catalogue. Americanlite® warrants that the Emergency LED drivers comply with Americanlite®'s published specifications and are free from defects in materials and workmanship.

All our equipment is CE, TUV, FCC or UL approved and manufactured with approved components. Americanlite® reserves the right to change or improve the design or components of any of its products due to parts availability or changes in standards, without assuming any obligation to modify any product previously manufactured and without notice. All equipment is tested and inspected before shipment.

This warranty is void if the product is operated outside of its normal operating conditions. The foregoing warranty does not apply to failures caused by acts of God or as a result of any abuse, misuse, abnormal use, or use in violation of any applicable standard, code or instructions for use in installations, including, but not limited to, those contained in the Standards for the International Electrotechnical Commission. Americanlite® reserves and has the right to examine failed fixtures to determine the cause of failure, excessive lumen depreciation and patterns of usage.