

EXIT LIGHTING

USA QuickShip program



americanlite[®]
We light your world[™]

Thin Thermoplastic LED Exit Sign



STANDARD



OPTIONAL



ILLUMINATION

- Ultra bright, energy efficient, long life Red or Green LED.

ELECTRICAL

- Dual 120/277 voltage.
- Charge rate/power "ON" LED indicator light and push-to-test switch for mandated code compliance testing.
- 1.2V Long life, maintenance-free, rechargeable NiCd battery.
- Internal solid-state transfer switch automatically connects the internal battery to LED board for minimum 90-minute emergency illumination.
- Fully automatic solid-state, two rate charger initiates battery charging to recharge a discharged battery in 24 hours.

MOUNTING

- EZ-snap mounting canopy included for top or end mount.
- Universal knockout pattern on back plate for wall mount.

HOUSING

- Injection-molded, engineering grade, 5VA flame retardant, high-impact resistant, thermoplastic in white or black finish.
- Aesthetically pleasing, curved face, rounded corner design.
- EZ snap-out chevron directional indicators.

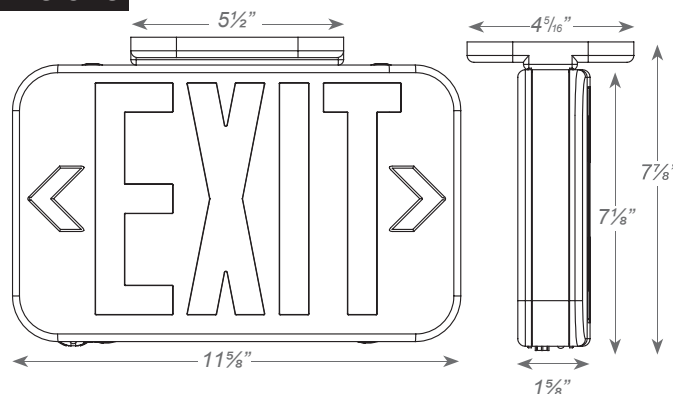
OPTIONS

- SDT: Self-diagnostic feature performs monthly, biannual, and annual tests to ensure reliable operation and meet electrical and life safety codes. Universal 120-277 voltage.
- 2C-120V/2C-277V: Voltage-specific Dual circuit option on the AC-only unit enables it to be connected to two different power supplies at the same time.
- Custom: Signs available with requested 'special' wording.
- USA: Substantial transformation assembly in the U.S. complies with "Assembled in USA" under the Buy American Act.

WARRANTY / LISTING

- Five year warranty on all electronics and housing. Battery prorated for five years.
- Meets UL924, NFPA 101 Life Safety Code, NEC, OSHA, Local and State Codes.
- UL Listed for damp locations (0°C – 50°C).
- Certified to CEC under Title 20 Regulations.

DIMENSIONS



ORDERING INFORMATION

Sample Part Number: EZRXTEU2RWEM

SALIDA face plate option available. Check with your Best Lighting Representative.

MODEL	No. of FACES	LETTER COLOR	HOUSING COLOR	BATTERY	OPTIONS
EZRXTU	2 Universal Single/ Double Face	R Red	W White	(blank) AC Only	SDT Self-Diagnostics ^{2,3}
		G Green	B Black	EM	2C-120 Dual Circuit with 120V input ⁴
		RG Red/Green ¹			2C-277 Dual Circuit with 277V input ⁴
					Custom Custom Wording
				USA	Assembled in the USA

¹ Field selectable

² Available only with EM units.

³ Not available with RG units.

⁴ Available only with AC-only units

Thin Thermoplastic LED Exit Sign

STANDARD



ILLUMINATION

- Ultra bright, energy efficient, long life Red or Green LED.

ELECTRICAL

- Dual 120/277 voltage.
- Charge rate/power "ON" LED indicator light and push-to-test switch for mandated code compliance testing.
- 1.2V long life, maintenance-free, rechargeable NiCd battery.
- Internal solid-state transfer switch automatically connects the internal battery to LED board for minimum 90-minute emergency illumination.
- Fully automatic solid-state, two rate charger initiates battery charging to recharge a discharged battery in 24 hours.

MOUNTING

- Mounting canopy included for top or end mount.
- Universal K/O pattern on back plate for wall mount.

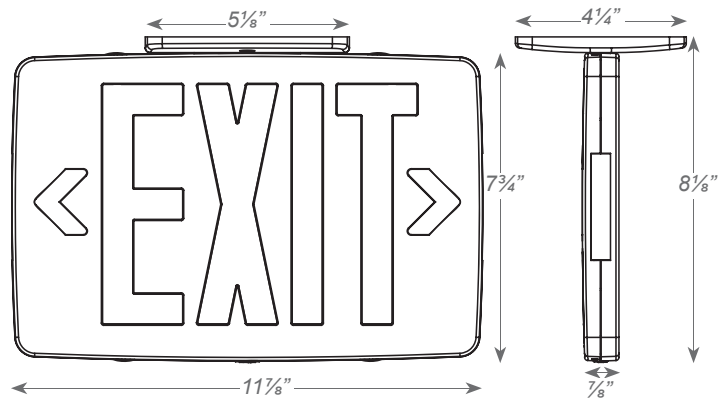
HOUSING

- Injection-molded, engineering grade, 5VA flame retardant, high-impact resistant, thermoplastic in white or black finish.
- Specification-grade, low profile thin plastic design.
- EZ snap-out chevron directional indicators.
- Available specifically in single or double face only.

WARRANTY / LISTING

- Five year warranty on all electronics and housing. Battery pro rated for five years.
- Meets UL924, NFPA 101 Life Safety Code, NEC, OSHA, Local and State Codes.
- UL Listed for damp locations (0°C – 50°C).

DIMENSIONS



ORDERING INFORMATION

Sample Part Number: **EZTXTEU-1-R-W-EM**

MODEL	No. of FACES	LETTER COLOR	HOUSING COLOR	BATTERY
EZTXTEU	1 Single Face	R Red	W White	Blank AC Only
	2 Double Face	G Green	B Black	EM Battery Backup

Remote Capable Thermoplastic Exit Sign

STANDARD



OPTIONAL



ILLUMINATION

- Ultra-bright, energy efficient, long-life Red or Green LED EXIT sign illumination.

ELECTRICAL

- Deal 120/277 voltage.
- Unique bi-color LED indicator light alerts occupant on battery condition (Green-normal, Red-check battery).
- Charge rate/power "ON" LED indicator light and push-to-test switch for mandated code compliance testing.
- 3.6V long life, maintenance-free, rechargeable NiCd battery.
- 5.5Wh of remote capacity standard.
- Internal solid-state transfer switch automatically connects the internal battery to LED board and connected LED lamp beads for minimum 90-minute emergency illumination.
- Fully automatic solid-state, two rate charger initiates battery charging to recharge a discharged battery in 24 hours.

MOUNTING

- Mounting canopy included for top or end mount.
- Universal knockout pattern on back plate for wall mount.

HOUSING

- Injection-molded, engineering grade, 5VA flame retardant, high-impact resistant, thermoplastic in white or black finish.
- Snap-on Chevron directional indicators.

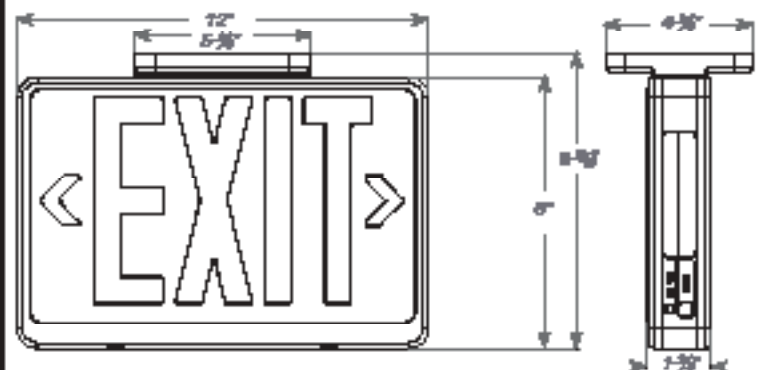
OPTIONS

- SOT: Self-diagnostic feature performs monthly, biannual, and annual tests to ensure reliable operation and meet electrical and life safety codes. Universal 120-277 voltage.

WARRANTY / LISTING

- Five-year warranty on all electronics and housing. Battery prorated for five years.
- Meets UL924, NFPA 101 Life Safety Code, NEC, OSHA, Local and State Codes.
- UL Listed for damp locations (0°C – 50°C).
- Certified to CEC under Title 20 Regulations.

DIMENSIONS



ORDERING INFORMATION

Sample Part Number: CEMKTERW

MODEL	No. of FACES	LETTER COLOR	HOUSING COLOR	OPTIONS
CEMXTE	Universal Single/ Double Face	R Red G Green	W White B Black	SOT Self-Diagnostics

Adjustable Edgelit Thermoplastic Exit Sign

STANDARD



ILLUMINATION

- Ultra bright, energy efficient, long life Red or Green LEDs.
- UV-stabilized ultra-clear acrylic edgelit panel provides consistent, uniform illumination.
- Universal Single/Double face utilizes factory installed mirror mylar background panel.

ELECTRICAL

- Dual 120/277 voltage standard.
- Unique bi-color LED indicator light alerts occupant on battery condition (Green-normal, Red-check battery).
- Charge rate/power "ON" LED indicator light and push-to-test switch for mandated code compliance testing.
- 3.6V long life, maintenance-free, rechargeable NiCd battery (EM models only).
- Internal solid-state transfer switch automatically connects the internal battery to LED board for minimum 90-minute emergency illumination.
- Fully automatic solid-state, two rate charger initiates battery charging to recharge a discharged battery in 24 hours.

HOUSING

- Injection-molded, engineering grade, 5VA flame retardant, high-impact resistant, thermoplastic in white, black or silver finishes.
- Thermoplastic trim assembly is easily detachable from below, providing accessibility for service or maintenance. Available in white, black or silver finishes.
- Self-adhesive Chevron appliques and guide template provided for directional indication.

MOUNTING

- EZ-snap mounting canopy included for top, end or back mount with the surface-model sign.
- Bar hangers included with Recessed-model for drywall or drop ceiling mount installations. Ceiling and wall mount compatible

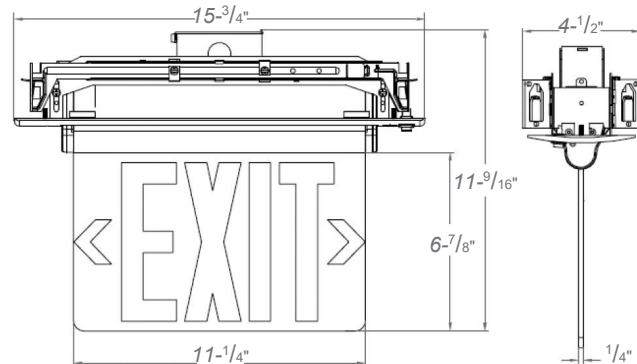


WARRANTY / LISTING

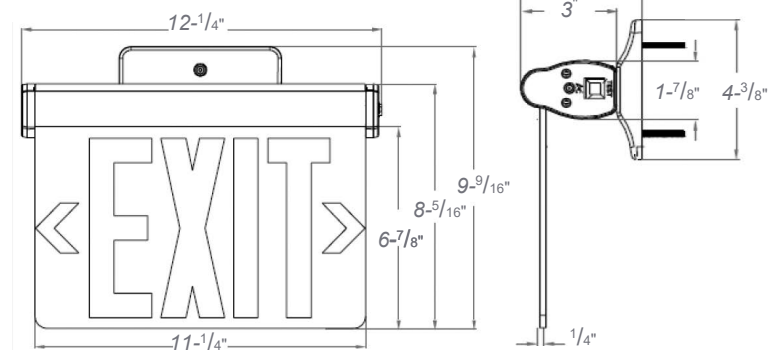
- Five year warranty on all electronics and housing. Battery prorated for five years.
- Meets UL924, NFPA 101 Life Safety Code, NEC, OSHA, Local and State Codes.
- UL Listed for damp locations (0°C – 50°C).
- Certified to CEC under Title 20 Regulations.

DIMENSIONS

Recessed Mount Model:



Surface Mount Model:



ORDERING INFORMATION

Sample Part Number: **ELAXRMSEM**

MODEL	No. of FACES	LETTER COLOR	PANEL	HOUSING COLOR	BATTERY	ACCESSORIES (shipped separately)
ELAX	(blank) Universal Single/Double Face	R Red	M Mirror	W White	(blank) AC-Only	RELAX-KIT Recessed Mount Conversion Kit
		G Green	W White	B Black	EM Battery Backup	
				S Silver		

Thermoplastic LED Edgelit Exit Sign

STANDARD



OPTIONAL



ILLUMINATION

- Ultra bright, energy efficient, long life Red or Green LED.
- UV-stabilized ultra-clear acrylic edgelit panel provides consistent, uniform illumination.
- Double face utilizes factory installed silver or white mylar background panel.

ELECTRICAL

- Dual 120/277 voltage standard. Optional multi-tap 208/220/240V available.
- Unique bi-color LED indicator light alerts occupant on battery condition (Green-normal, Red-check battery).
- Push-to-test switch for mandated code compliance testing.
- 4.8V long life maintenance-free, rechargeable NiCd battery.
- Internal solid-state transfer switch automatically connects the internal battery to LED board for minimum 90-minute emergency illumination.
- Fully automatic solid-state, two rate charger initiates battery charging to recharge a discharged battery in 24 hours.

MOUNTING

- EZ-snap mounting canopy included for top, end or back mount.

HOUSING

- Injection-molded, engineering grade 5VA, flame retardant, high-impact resistant thermoplastic housing in white or black finish.
- Self-adhesive chevron appliques and guide template provided for directional indication.

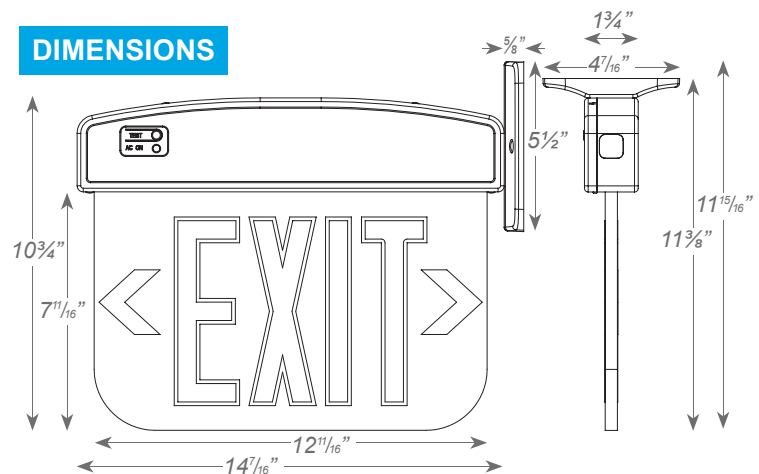
OPTIONS

- Custom: Signs available with requested 'special' wording.
- SDT: Self-diagnostic feature performs monthly, biannual, and annual tests to ensure reliable operation and meet electrical and life safety codes.
- 2C: Dual circuit option on the AC-only unit enables it to be connected to two different (one acting as a back-up to the other) supplies at the same time.
- SPV: UL Listed for special voltage option.

WARRANTY / LISTING

- Five year warranty on all electronics and housing. Battery is pro rated for five years.
- Meets UL924, NFPA 101 Life Safety Code, NEC, OSHA, Local and State Codes.
- UL Listed for damp locations (0°C – 50°C).

DIMENSIONS



ORDERING INFORMATION

Sample Part Number: PLELRXTEU 1 R C A EM

MODEL	No. of FACES	LETTER COLOR	PANEL	HOUSING COLOR	BATTERY	OPTIONS
PLELRXTEU	1	Single Face	R Red	C Clear	W White	SDT Self-diagnostics ³
	2	Double Face	G Green	M Mirror	B Black	SPV 208/220/240 Volt, 50/60Hz
				W White	A Silver	Custom Custom Wording
					EM	2C Dual circuit ⁴

1. With single face only
 2. Not available with SDT
 3. Available in EM units only
 4. Available in AC units only

Aluminum LED Edgelit Exit Sign

STANDARD



OPTIONAL



ILLUMINATION

- Ultra bright, energy efficient, long life Red or Green LED.
- UV-stabilized ultra-clear acrylic edgelit panel provides consistent, uniform illumination.
- Double face utilizes factory installed silver or white mylar background panel.

ELECTRICAL

- Dual 120/277 voltage standard. Optional multi-tap 208/220/240 voltage available.
- Charge rate power "ON" LED indicator light and push-to-test switch for mandated code compliance testing.
- 4.8V long life, maintenance-free, rechargeable NiCd battery.
- Internal solid-state transfer switch automatically connects the internal battery to LED board for minimum 90-minute emergency illumination.
- Fully automatic solid-state, two rate charger initiates battery charging to recharge a discharged battery in 24 hours.

MOUNTING

- Aluminum mounting canopy included for top, end or back mount.

HOUSING

- Premium-grade, extruded aluminum housing (also available in black or white powder-coated finishes).
- Self-adhesive chevron appliques and guide template provided for directional indication.



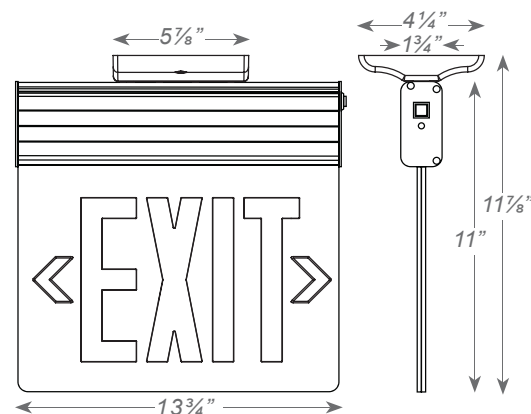
OPTIONS

- SDT: Self-diagnostic feature performs monthly, biannual, and annual tests to ensure reliable operation and meet electrical and life safety codes.
- 2C: Dual circuit option on the AC-only unit enables it to be connected to two different (one acting as a back-up to the other) supplies at the same time.
- Custom: Signs available with requested 'special' wording.
- USA: Substantial transformation assembly in the U.S. complies with "Assembled in the USA" under the Buy American Act.
- SPV: UL Listed for special voltage option.

WARRANTY / LISTING

- Five year warranty on all electronics and housing. Battery pro rated for five years.
- Meets UL924, NFPA 101 Life Safety Code, NEC, OSHA, Local and State Codes.
- UL Listed for damp locations (0°C – 50°C).

DIMENSIONS



ORDERING INFORMATION

Sample Part Number: **ELXTEU-1-R-M-W-EM-USA**

MODEL	No. of FACES	LETTER COLOR	PANEL	HOUSING COLOR	BATTERY	OPTIONS
ELXTEU	1	Single Face	R Red	C Clear	W White	AC Only
	2	Double Face	G Green	M Mirror	B Black	Battery Backup
			W White	A Aluminum		
						SDT Self-diagnostics ³
						Custom Custom Wording
						2C Dual circuit Operation ⁴
						USA Assembled in USA
						SPV 208/220/240 Volt,

NOTES:

1. With single face only
2. Not available with SDT
3. Available only with EM units
4. Available only with AC units

Recessed Aluminum LED Edgelit Exit Sign

STANDARD



OPTIONAL



ILLUMINATION

- Ultra bright, energy efficient, long life Red or Green LED.
- UV-stabilized ultra-clear acrylic edgelit panel provides consistent, uniform illumination.
- Double face utilizes factory installed silver or white mylar background panel.

ELECTRICAL

- Dual 120/277 voltage standard. Optional multi-tap 208/220/240 voltage available.
- Charge rate/power "ON" LED indicator light and push-to-test switch for mandated code compliance testing.
- 4.8V long life, maintenance-free, rechargeable NiCd battery.
- Internal solid-state transfer switch automatically connects the internal battery to LED board for minimum 90-minute emergency illumination.
- Fully automatic solid-state, two rate charger initiates battery charging to recharge a discharged battery in 24 hours.

MOUNTING

- Compatible with drywall or drop ceiling mount installations. Bar hangers included.
- Wall mount capability optional.

HOUSING

- Premium-grade, extruded aluminum housing.
- Extruded aluminum trim assembly is easily detachable from below, providing accessibility for service or maintenance. Available in black or white powder-coated finishes.
- Self-adhesive chevron appliques and guide template provided for directional indication.



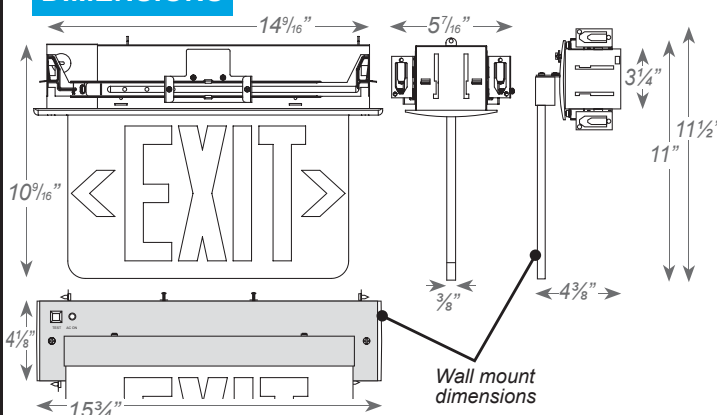
OPTIONS

- SDT: Self-diagnostic feature performs monthly, biannual, and annual tests to ensure reliable operation and meet electrical and life safety codes.
- 2C: Dual circuit option on the AC-only unit enables it to be connected to two different (one acting as a back-up to the other) supplies at the same time.
- Custom: Signs available with requested 'special' wording.
- USA: Substantial transformation assembly in the U.S. complies with "Assembled in the USA" under the Buy American Act.
- SPV: UL Listed for special voltage option.
- WM: Allows for the unit to be wall recessed mounted.

WARRANTY / LISTING

- Five year warranty on all electronics and housing. Battery pro rated for five years.
- Meets UL924, NFPA 101 Life Safety Code, NEC, OSHA, Local and State Codes.
- UL Listed for damp locations (0°C – 50°C).

DIMENSIONS



ORDERING INFORMATION

Sample Part Nu

RELZXTE-1-R-C-W-EM-USA

MODEL	No. of FACES		LETTER		PANEL		TRIM PLATE		BATTERY		OPTIONS	
RELZXTE	1	Single Face	R	Red	C	Clear ¹	W	White	Blank	AC Only	Custom	Custom Wording
	2	Double Face	G	Green	M	Mirror	B	Black	EM	Battery Backup	USA	Assembled in USA
					W	White	A	Aluminum			SDT	Self-diagnostics ³
											2C	Dual circuit ⁴
											SPV	208/220/240 Volt, 50/60Hz ²
											WM	Wall Mount ¹

Notes:

1. With Single face only
2. Not available with SDT
3. Available only with EM units
4. Available only with AC units

Thin Die-Cast LED Exit Sign



STANDARD



ILLUMINATION

- Ultra bright, energy efficient, long life Red or Green LED.

ELECTRICAL

- Dual 120/277 voltage.
- Charge rate/power "ON" LED indicator light and push-to-test switch for mandated code compliance testing.
- 2.4V long life, maintenance-free, rechargeable NiCd battery.
- Internal solid-state transfer switch automatically connects the internal battery to LED board for minimum 90-minute emergency illumination.
- Fully automatic solid-state, two rate charger initiates battery charging to recharge a discharged battery in 24 hours.

MOUNTING

- Aluminum mounting canopy included for top or end mount.
- Universal K/O pattern on back plate for wall mount.

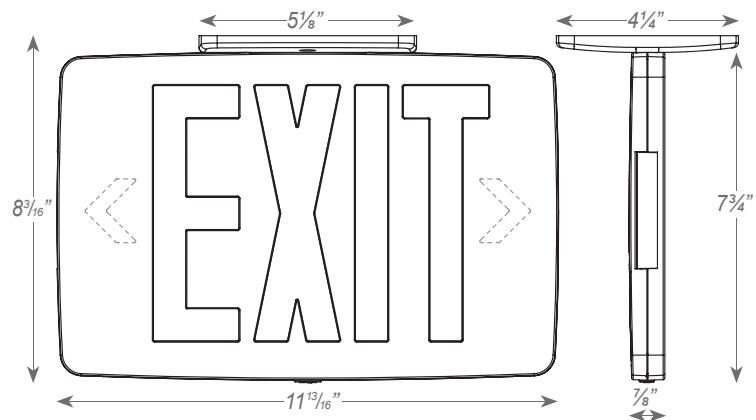
HOUSING

- Premium-grade, aluminum housing (also available in black or white powder-coated finishes).
- Field selectable knockout chevron directional indicators.
- Quick-snap face plate closure.
- Specification-grade, low profile thin aluminum die-cast design.
- Available specifically in single or double face only.

WARRANTY / LISTING

- Five year warranty on all electronics and housing. Battery pro rated for five years.
- Meets UL924, NFPA 101 Life Safety Code, NEC, OSHA, Local and State Codes.
- UL Listed for damp locations (0°C – 50°C).

DIMENSIONS



ORDERING INFORMATION

MODEL	No. of FACES		LETTER COLOR		HOUSING COLOR		BATTERY	
KZXTEU	1	Single Face	R	Red	W	White	Blank	AC-Only
	2	Double Face	G	Green	B	Black	EM	Battery Back-up
					A	Aluminum		

Steel LED Exit Sign



STANDARD



OPTIONAL

ILLUMINATION

- Ultra bright, energy efficient, long life Red or Green LED.

ELECTRICAL

- Dual 120/277 voltage.
- Charge rate/power "ON" LED indicator light and push-to-test switch for mandated code compliance testing.
- 4.8V long life, maintenance-free, rechargeable NiCd battery.
- Internal solid-state transfer switch automatically connects the internal battery to LED board for minimum 90-minute emergency illumination.
- Fully automatic solid-state, two rate charger initiates battery charging to recharge a discharged battery in 24 hours.

MOUNTING

- Mounting canopy included for top or end mount.
- Universal K/O pattern on back plate for wall mount.

HOUSING

- Durable, powder-coated 20-gauge steel construction in white or black finish.
- Unique design allows double face conversion in the field.
- Field selectable steel knockout chevron directional indicators.

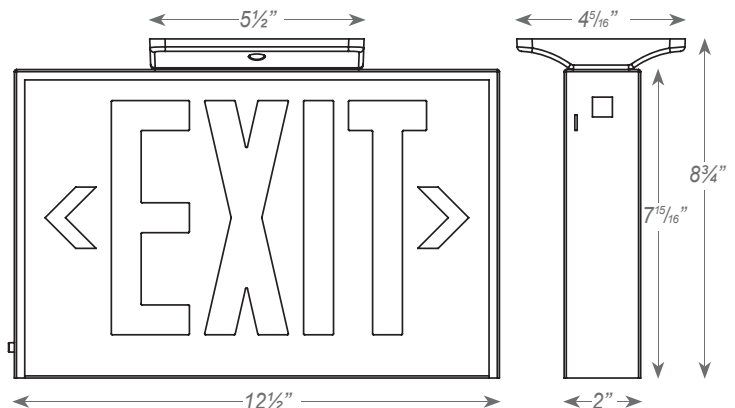
OPTIONS

- SDT: Self-diagnostic feature performs monthly, biannual, and annual tests to ensure reliable operation and meet electrical and life safety codes.

WARRANTY / LISTING

- Five year warranty on all electronics and housing. Battery pro rated for five years.
- Meets UL924, NFPA 101 Life Safety Code, NEC, OSHA, Local and State Codes.
- UL Listed for damp locations (0°C – 50°C).

DIMENSIONS



ORDERING INFORMATION

Sample Part Number: **SXTEU-2-R-W-EM**

Special voltage options available. Check with your Americanlite Representative.

MODEL	No. of FACES	LETTER COLOR	HOUSING COLOR	BATTERY	OPTIONS	
SXTEU	1	Single Face	R Red	W White	Blank AC Only	SDT
	2	Universal Single/ Double Face	G Green	B Black	Battery Backup	Self-diagnostics ¹

¹ Available only with EM units.

New York City Approved Aluminum LED Edgelit Exit Sign

STANDARD



OPTIONAL



ILLUMINATION

- Ultra bright, energy efficient, long life Red LED.
- UV-stabilized ultra-clear acrylic edgelit panel provides consistent, uniform illumination.
- Double face utilizes factory installed silver or white mylar background panel.
- New York City compliant 8" EXIT letters.

ELECTRICAL

- Dual 120/277 voltage standard. Optional multi-tap 208/220/240 voltage available.
- Charge rate/power "ON" LED indicator light and push-to-test switch for mandated code compliance testing.
- 4.8V long life, maintenance-free, rechargeable NiCd battery.
- Internal solid-state transfer switch automatically connects the internal battery to LED board for minimum 90-minute emergency illumination.
- Fully automatic solid-state, two rate charger initiates battery charging to recharge a discharged battery in 24 hours.

MOUNTING

- Aluminum mounting canopy included for top, end or back mount.

HOUSING

- Premium-grade, extruded aluminum housing (also available in black or white powder-coated finishes).
- Self-adhesive chevron appliques and guide template provided for directional indication.

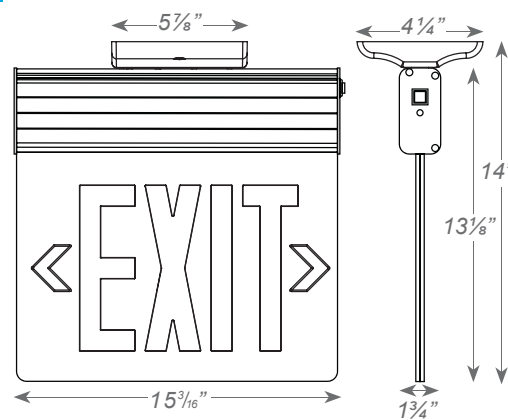
OPTIONS

- SDT: Self-diagnostic feature performs monthly, biannual, and annual tests to ensure reliable operation and meet electrical and life safety codes.
- SPV: UL Listed for special voltage option.

WARRANTY / LISTING

- Five year warranty on all electronics and housing. Battery pro rated for five years.
- Meets UL924, NFPA 101 Life Safety Code, NEC, OSHA, Local and State Codes.
- UL Listed for damp locations (0°C – 50°C).

DIMENSIONS



ORDERING INFORMATION

Sample Part Number: **NYELXTEU-1-R-C-A-EM**

MODEL	No. of FACES	LETTER COLOR	PANEL	HOUSING COLOR	BATTERY	OPTIONS
NYELXTEU	1 Single Face	R Red	C Clear	W White	Blank AC Only	SDT Self-diagnostics ³
	2 Double Face		M Mirror	B Black	EM Battery Backup	SPV 208/220/240 Volt, 50/60Hz
			W White	A Aluminum		

¹ With single face only.

² Not available with SDT options.

³ Available only with EM units.

New York City Approved Diecast Aluminum Exit Sign

STANDARD



OPTIONAL



ILLUMINATION

- Ultra bright, energy efficient, long life red LED.
- New York City approved 8" EXIT letters.

ELECTRICAL

- Dual 120/277 voltage.
- Charge rate/power "ON" LED indicator light and push-to-test switch for mandated code compliance testing.
- 4.8V long life, maintenance-free, rechargeable NiCd battery.
- Internal solid-state transfer switch automatically connects the internal battery to LED board for minimum 90-minute emergency illumination.
- Fully automatic solid-state, two rate charger initiates battery charging to recharge a discharged battery in 24 hours.

MOUNTING

- Aluminum mounting canopy included for top or end mount.
- Universal K/O pattern on back plate for wall mount.

HOUSING

- Premium-grade, aluminum housing (also available in black or white powder-coated finishes).
- Field selectable knockout chevron directional indicators.
- Unique design allows double face conversion in the field.
- Quick-snap face plate closure.

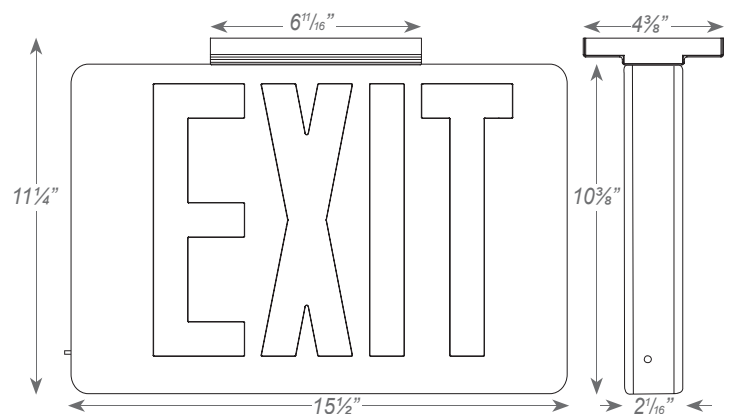
OPTIONS

- SDT: Self-diagnostic feature performs monthly, biannual, and annual tests to ensure reliable operation and meet electrical and life safety codes.
- 2C: Dual circuit option on the AC-only unit enables it to be connected to two different (one acting as a back-up to the other) supplies at the same time.

WARRANTY / LISTING

- Five year warranty on all electronics and housing. Battery pro rated for five years.
- Meets UL924, NFPA 101 Life Safety Code, NEC, OSHA, Local and State Codes.
- UL Listed for damp locations (0°C – 50°C).

DIMENSIONS



ORDERING INFORMATION

Sample Part Number: **NYKXTEU-1-R-B-A-EM**

MODEL	No. of FACES	LETTER COLOR	HOUSING COLOR	PANEL	BATTERY	OPTIONS
NYKXTEU	1	Single Face	R Red	W White	W White	Blank AC Only
	2	Double Face		B Black	B Black	EM Battery Backup
	3	Universal Single/ Double face		A Aluminum	A Aluminum	
						SDT Self-diagnostics ¹ 2C Dual circuit ²

¹ Available in EM units only

² Available in AC units only

New York City Approved Recessed Aluminum LED Edgelit Exit Sign

STANDARD



OPTIONAL



ILLUMINATION

- Ultra bright, energy efficient, long life Red LED.
- UV-stabilized, ultra-clear acrylic edgelit panel provides consistent, uniform illumination.
- Double face utilizes factory installed silver or white mylar background panel.
- New York City compliant 8" EXIT letters.

ELECTRICAL

- Dual 120/277 voltage standard. Optional multi-tap 208/220/240 voltage available.
- Charge rate/power "ON" LED indicator light and push-to-test switch for mandated code compliance testing.
- 4.8V Long life, maintenance-free, rechargeable NiCd battery.
- Internal solid-state transfer switch automatically connects the internal battery to LED board for minimum 90-minute emergency illumination.
- Fully automatic solid-state, two rate charger initiates battery charging to recharge a discharged battery in 24 hours.

MOUNTING

- Compatible with drywall or drop ceiling mount installations. Bar hangers included.
- Wall mount capability optional.

HOUSING

- Premium-grade, extruded aluminum housing.
- Extruded aluminum trim assembly is easily detachable from below, providing accessibility for service or maintenance. Available in black or white powder-coated finishes.
- Self-adhesive chevron appliques and guide template provided for directional indication.



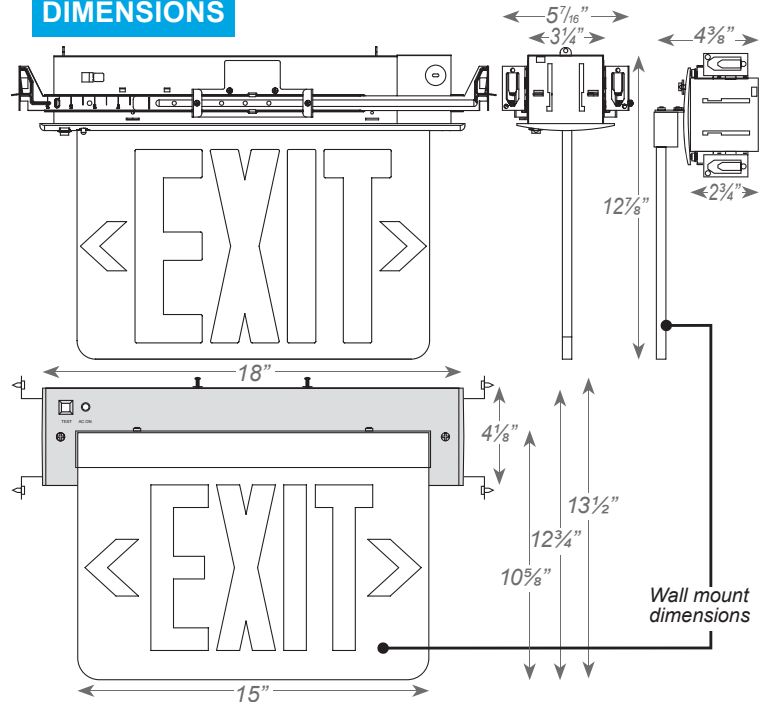
OPTIONS

- SDT: Self-diagnostic feature performs monthly, biannual, and annual tests to ensure reliable operation and meet electrical and life safety codes.
- SPV: UL Listed for special voltage option.
- WM: Allows for the unit to be wall recessed mounted.

WARRANTY / LISTING

- Five year warranty on all electronics and housing. Battery pro rated for five years.
- Meets UL924, NFPA 101 Life Safety Code, NEC, OSHA, Local and State Codes.
- UL Listed for damp locations (0°C – 50°C).

DIMENSIONS



ORDERING INFORMATION

Sample Part Number: **NYRELZXTE-1-R-C-A-EM**

MODEL	No. of FACES	LETTER	PANEL	TRIM PLATE	BATTERY	OPTIONS
NYRELZXTE	1	Single Face	R Red	C Clear ¹	W White	Blank AC Only
	2	Double Face	M Mirror	B Black	EM Battery Backup	SDT Self-diagnostics ³
			W White	A Aluminum		SPV 208/220/240 Volt, 50/60Hz ²
						WM Wall Mount ¹

Notes:

1. With single face only
2. Not available with SDT options
3. Available on EM units only

New York City Approved Steel LED Exit Sign

STANDARD



ILLUMINATION

- Ultra bright, energy efficient, long life Red LED.
- New York City compliant 8" EXIT letters.

ELECTRICAL

- Dual 120/277 voltage.
- Charge rate/power "ON" LED indicator light and push-to-test switch for mandated code compliance testing.
- 3.6V long life, maintenance-free, rechargeable NiCd battery.
- Internal solid-state transfer switch automatically connects the internal battery to LED board for minimum 90-minute emergency illumination.
- Fully automatic solid-state, two rate charger initiates battery charging to recharge a discharged battery in 24 hours.

MOUNTING

- Aluminum mounting canopy included for top or end mount.
- Universal K/O pattern on back plate for wall mount.
- Top and side K/O provided for conduit feed applications.

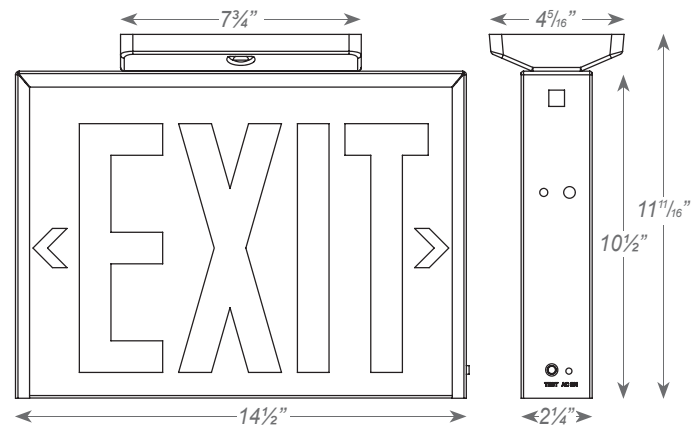
HOUSING

- Durable, powder-coated 20-gauge steel construction in white or black finish.
- Unique design allows double face conversion in the field.
- Field removable steel knockout chevron directional indicators.

WARRANTY / LISTING

- Five year warranty on all electronics and housing. Battery pro rated for five years.
- Meets UL924, NFPA 101 Life Safety Code, NEC, OSHA, Local and State Codes.

DIMENSIONS



ORDERING INFORMATION

Sample Part Number: **NYXTEU-3-R-W-EM**

MODEL	No. of FACES	LETTER COLOR	HOUSING COLOR	BATTERY
NYXTEU	1 Single Face	R Red	W White	Blank AC Only
	2 Double Face		B Black	EM Battery Backup
	3 Universal Single/Double Face			

Chicago Approved LED Edgelit Exit Signs - Recessed Mount



Wall Mount option is shown in image below.

STANDARD



ILLUMINATION

- Ultra-bright, energy efficient, long-lasting white LEDs provide uniform illumination.
- UV stabilized, silk screened acrylic panels provide consistent, uniform illumination.
- Single or double face configurations.

ELECTRICAL

- Dual 120V/277V.
- Charge rate/power "ON" LED indicator light and push to test switch for mandated code compliance testing.
- 4.8V Long-life, maintenance-free, rechargeable NiCd battery (EM models only).
- Internal solid-state transfer switch automatically connects the internal battery to LED board for minimum 120-minute emergency illumination.
- Fully automatic solid-state, two-rate charger initiates battery charging to recharge a discharged battery in 24 hours.

MOUNTING

- Compatible with drywall or drop-thru ceiling mount installations.
- Wall mount capability optional.

HOUSING

- Premium-grade, extruded aluminum housing.
- Trim assembly is easily detachable, providing accessibility for service or maintenance.

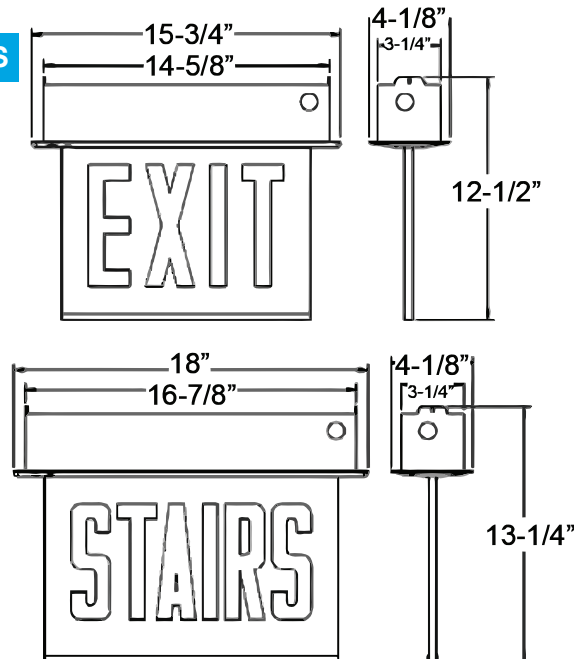
OPTIONS

- WM: Wall mount.

WARRANTY/LISTING

- Five year warranty on all electronics and housing. Battery pro-rated for five years.
- UL listed for damp locations (0°-50°C/32°F-122°F standard).
- Meets UL924, NFPA101 Life Safety Code, NEC, OSHA, Local and State Codes.
- Meets city of Chicago requirements.

DIMENSIONS



ORDERING INFORMATION

Sample Part Number: **CARELZXTE-2-RW-A-EM-NA**

Model	No. of faces	Letter	Housing	Battery		Signage/Directional Arrows					
CARELZXTE	Single Face	W Red on white	A Aluminum	B AC only	WM Wall Mount ¹	NA Exit No Arrow					
	2 Double Face					W White	EM Ni-Cd battery	SWNA Stairs No Arrow	DA Exit Double Arrow	SWDA Stairs Double Arrow	RA ¹ Exit Right Arrow

Notes:

1. Available in single face configuration only
2. Available in double face configuration only

Chicago Approved Steel LED Exit Sign

STANDARD



ILLUMINATION

- Ultra-bright, energy efficient, long-lasting white LEDs provide uniform illumination.
- Single or double face configurations.

ELECTRICAL

- Dual 120V/277V.
- Charge rate/power "ON" LED indicator light and push to test switch for mandated code compliance testing.
- 4.8V Long-life, maintenance-free, rechargeable Ni-Cd battery (EM models only).
- Internal solid-state transfer switch automatically connects the internal battery to LED board for minimum 120-minute emergency illumination.
- Fully automatic solid-state, two-rate charger initiates battery charging to recharge a discharged battery in 24 hours.

MOUNTING

- Mounting canopy included for top or end mount.
- Universal K/O pattern on backplate for wall mount.

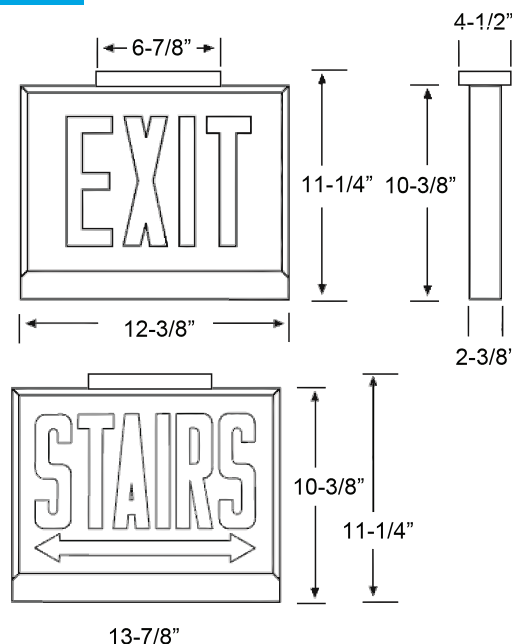
HOUSING

- 20-gauge steel housing.
- Neutral white finish.

WARRANTY/LISTING

- Five year warranty on all electronics and housing. Battery pro-rated for five years.
- UL listed for damp locations (0°-50°C/32°F-122°F standard).
- Meets UL924, NFPA101 Life Safety Code, NEC, OSHA, Local and State Codes.
- Meets city of Chicago requirements.

DIMENSIONS



ORDERING INFORMATION

Sample Part Number: **CAXTEU-2-R-W-EM-NA**

Model	No. of faces	Letter	Housing	Battery	Signage / Directional Arrows
CAXTEU	1 Single Face	R Red	W White	Blank AC only	NA Exit No Arrow
	2 Double Face	B Black	B Black	EM Ni-Cd battery	SWNA Stairs No Arrow DA Exit Double Arrow SWDA Stairs Double Arrow

Notes:

1. Available in single face configuration only
2. Available in double face configuration only

- RA¹ Exit Right Arrow
- SWRA¹ Stairs Right Arrow
- LA¹ Exit Left arrow
- SWLA¹ Stairs Left Arrow
- LARA² Exit Left/Right Arrow
- SWLARA² Stairs Left/Right Arrow

Chicago Approved LED Edgelit Exit Signs - Surface Mount



STANDARD



ILLUMINATION

- Ultra-bright, energy efficient, long-lasting white LEDs provide uniform illumination.
- UV stabilized, silk screened acrylic panels provide consistent, uniform illumination.
- Single or double face configurations.

ELECTRICAL

- Dual 120V/277V.
- Charge rate/power "ON" LED indicator light and push to test switch for mandated code compliance testing.
- 4.8V Long-life, maintenance-free, rechargeable NiCd battery (EM models only).
- Internal solid-state transfer switch automatically connects the internal battery to LED board for minimum 120-minute emergency illumination.
- Fully automatic solid-state, two-rate charger initiates battery charging to recharge a discharged battery in 24 hours.

MOUNTING

- Die-cast aluminum mounting canopy provided for universal top, end or back mount.

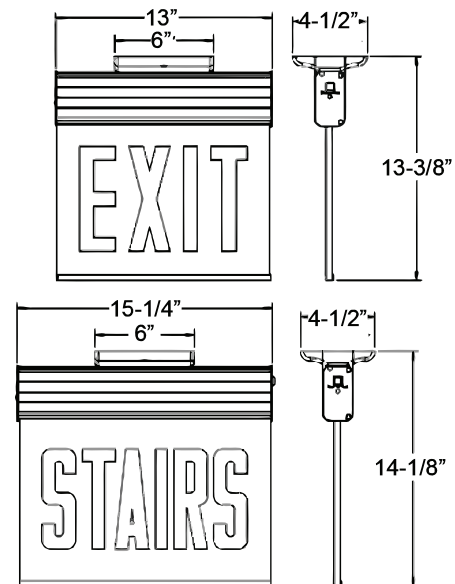
HOUSING

- Premium-grade, extruded aluminum housing (also available in white powder-coated finish).

WARRANTY/LISTING

- Five year warranty on all electronics and housing. Battery pro-rated for five years.
- UL listed for damp locations (0°-50°C/32°F-122°F standard).
- Meets UL924, NFPA101 Life Safety Code, NEC, OSHA, Local and State Codes.
- Meets city of Chicago requirements.

DIMENSIONS



ORDERING INFORMATION

Sample Part Number: **CAELXTEU-2-RW-A-EM-NA**

Model	No. of faces	Letter	Housing	Battery	Signage / Directional Arrows
CAELXTEU	1 Single Face	RW Red on white	A Aluminum	Blank AC only	NA Exit No Arrow
	2 Double Face		W White	EM Ni-Cd battery	SWNA Stairs No Arrow
					DA Exit Double Arrow
					SWDA Stairs Double Arrow
					RA ¹ Exit Right Arrow
					SWRA ¹ Stairs Right Arrow
					LA ¹ Exit Left arrow
					SWLA ¹ Stairs Left Arrow
					LARA ² Exit Left/Right Arrow
					SWLARA ² Stairs Left/Right Arrow

Notes:

1. Available in single face configuration only
2. Available in double face configuration only

Compact Wet Location LED Exit Sign

STANDARD



OPTIONAL



ILLUMINATION

- Ultra bright, energy efficient, long life Red or Green LED.

ELECTRICAL

- Dual 120/277 voltage.
- Unique bi-color LED indicator light alerts occupant on battery condition (Green-normal, Red-check battery).
- 4.8V long life, maintenance-free, rechargeable NiCd battery.
- Internal solid-state transfer switch automatically connects the internal battery to LED board for minimum 90-minute emergency illumination.
- Fully automatic solid-state, two rate charger initiates battery charging to recharge a discharged battery in 24 hours.

MOUNTING

- Polycarbonate mounting canopy included for top or end mount.
- Universal K/O pattern on back plate for wall mount.

HOUSING

- 5VA flame retardant, UV-stabilized polycarbonate in white, black or gray finish.
- High-impact resistant, UV-stabilized polycarbonate clear lens.
- Corrosion-resistant enclosure with engineering grade silicone gasket.
- Top and side K/O's provided for conduit feed applications.
- EZ snap-out chevron directional indicators.

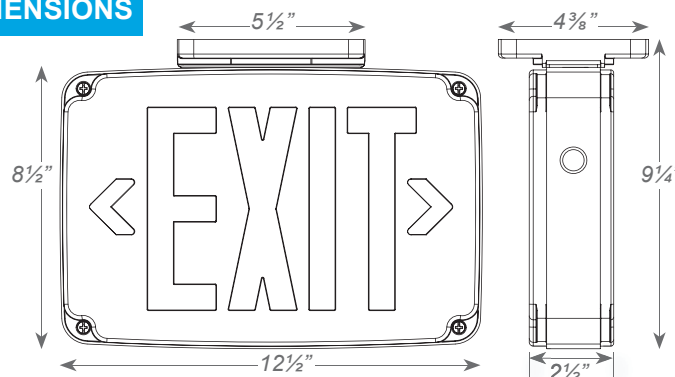
OPTIONS

- SDT: Self-diagnostic feature performs monthly, biannual, and annual tests to ensure reliable operation and meet electrical and life safety codes.
- 2C: Dual circuit option on the AC-only unit enables it to be connected to two different (one acting as a back-up to the other) supplies at the same time.
- TP: Tamper-proof hardware helps prevent unauthorized access to the unit.
- Custom: Signs available with requested "special" wording.

WARRANTY / LISTING

- Five year warranty on all electronics and housing. Battery pro rated for five years.
- Meets UL924, NFPA 101 Life Safety Code, NEC, OSHA, Local and State Codes.
- UL Listed for wet locations (-20°C – 50°C).

DIMENSIONS



Sample Part Number: **WLEZXTEU-1-R-W-EM-CW**

ORDERING INFORMATION

Special voltage & SALIDA face plate options available. Check with your Americanlite Representative.

MODEL	No. of FACES	LETTER COLOR	HOUSING COLOR	BATTERY	OPTIONS	
WLEZXTEU	1	Single Face	R Red	W White (with white faceplate)	Blank AC Only CW Cold Weather (standard)	
	2	Double Face	G Green	B Black (with black faceplate)	EM Battery Backup	SDT Self-diagnostics ¹
			G Gray (with white faceplate)	TP Tamper-Proof		
					2C Dual circuit ²	
					Custom Custom Wording	

¹ Available only with EM units.

² Available only with AC units

NEMA4X/NSF Exit Sign



STANDARD



OPTIONAL



ILLUMINATION

- Ultra bright, energy efficient, long life Red or Green LEDs.

ELECTRICAL

- Dual 120/277 voltage.
- Unique bi-color LED indicator light alerts occupant on battery condition (Green-normal, Red-check-battery).
- Charge rate/power "ON" LED indicator light and magnetic test switch for mandated code compliance testing.
- 4.8V long-life, maintenance-free, rechargeable NiCd battery (EM models only).
- Internal solid-state transfer switch automatically connects the internal battery to LED board for minimum 90-minute emergency illumination.
- Fully automatic solid-state, two-rate charger initiates battery charging to recharge a discharged battery in 24 hours.

MOUNTING

- Universal knockout pattern on back provided with gasket for watertight seal for back mount.
- Polycarbonate mounting canopy included for top or end mount.

HOUSING

- Housing is reinforced polycarbonate construction in white or black finish.
- Corrosion-resistant enclosure with one piece, high-impact resistant, UV stabilized polycarbonate lens and molded gasket with stainless steel screws.
- Knockout's provided for conduit feed applications.
- EZ snap-out Chevron directional indicators.

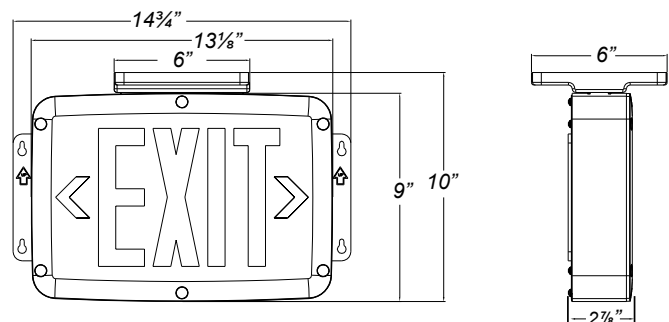
OPTIONS

- SDT: Self-diagnostic feature performs monthly, biannual, and annual tests to ensure reliable operation and meet electrical and life safety codes.
- 2C-120V/2C-277V: Voltage-specific dual circuit option on the AC-only unit enables it to be connected to two different supplies at the same time.
- TP: Tamper-proof hardware helps discourage unauthorized access to the unit.

WARRANTY / LISTING

- Five year warranty on all electronics and housing. Batteries pro-rated for five years.
- Meets UL924, NFPA101 Life Safety Code, NEC, OSHA, Local and State Codes.
- IP66 rated for Ingress protection.
- NEMA4X and NSF rated.
- Certified to CEC under Title 20 Regulations.
- UL certified for use in food service operations.
- UL listed for wet locations (-20°C – 50°C).

DIMENSIONS



ORDERING INFORMATION

Sample Part Number: **INDWLEZU1RBEM-SDT**

MODEL	No. of FACES	LETTER COLOR	HOUSING COLOR	BATTERY	OPTIONS
INDWLEZU	1	Single	R Red	(blank)	SDT Self-Diagnostics ¹
	2	Double	G Green	AC-Only	2C-120 Dual Circuit With 120V Input ²
			W White	EM NiCd Battery	2C-277 Dual Circuit With 277V Input ²
			B Black		TP Tamper-Proof

¹ Available in EM units only.

² Available in AC units only.

Hazardous Location Exit Sign



STANDARD



OPTIONAL



ILLUMINATION

- Ultra bright, energy efficient, long life Red or Green LEDs.

ELECTRICAL

- Dual 120/277 voltage.
- Unique bi-color LED indicator light alerts occupant on battery condition (Green-normal, Red-check-battery).
- Charge rate/power "ON" LED indicator light and magnetic test switch for mandated code compliance testing.
- 4.8V long-life, maintenance-free, rechargeable NiCd battery (EM models only).
- Internal solid-state transfer switch automatically connects the internal battery to LED board for minimum 90-minute emergency illumination.
- Fully automatic solid-state, two-rate charger initiates battery charging to recharge a discharged battery in 24 hours.

MOUNTING

- Die-cast mounting brackets provided for surface wall-mount installation.
- Pre-installed conduit hub for conduit and pendant-mount installations.

HOUSING

- Housing is fiberglass reinforced polycarbonate construction in gray finish.
- Corrosion-resistant enclosure with one piece, high-impact resistant, UV stabilized polycarbonate lens and molded gasket with stainless steel screws.
- EZ snap-out Chevron directional indicators.

OPTIONS

- SDT: Self-diagnostic feature performs monthly, biannual, and annual tests to ensure reliable operation and meet electrical and life safety codes.
- TP: Tamper-proof hardware helps discourage unauthorized access to the unit.

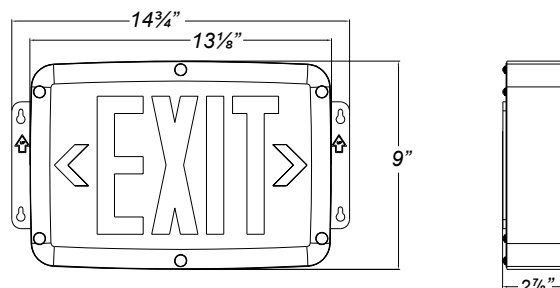
WARRANTY / LISTING

- Five year warranty on all electronics and housing. Batteries pro-rated for five years.
- Meets UL924, UL844, NFPA101 Life Safety Code, NEC, OSHA, Local and State Codes.
- IP66 rated for Ingress Protection.
- Rated for Class 1, Division 2, Groups A, B, C, & D.
- Certified to CEC under Title 20 Regulations.
- UL listed for wet locations (-20°C – 50°C).

ELECTRICAL INFORMATION

CATALOG NUMBER	INPUT WATTS (W)		INPUT AMPS (A)	
	120	277	120V	277V
HLWLEZU-RED/GREEN/EM/SDT	3.0	3.0	0.03	0.02

DIMENSIONS



ORDERING INFORMATION

Sample Part Number: **HLWLEZU1RGEM**

MODEL	No. of FACES	LETTER COLOR	HOUSING COLOR	BATTERY	OPTIONS					
HLWLEZU	1	Single	R	Red	G	Gray	(blank)	AC-Only	SDT	Self-Diagnostics ¹
	2	Double	G	Green	EM	NiCd Battery	EM	NiCd Battery	TP	Tamper-Proof

¹ Available in EM units only.

Lightpipe LED Exit & Emergency

STANDARD



OPTIONAL



ILLUMINATION

- Ultra bright, energy efficient white LED emergency lighting.
- 4.5W (36 LEDs x 0.125 watts) per light pipe.
- Adjustable high performance, smooth, chrome-plated, metallized reflector and acrylic, UV-stabilized "Light Pipe" lens for optimal light distribution.
- Long life, energy efficient Red or Green LED EXIT sign illumination.

ELECTRICAL

- Dual 120/277 voltage.
- Charge rate/power "ON" LED indicator light and push-to-test switch for mandated code compliance testing.
- 4.8V long life, maintenance-free, rechargeable NiCd battery.
- Internal solid-state transfer switch automatically connects the internal battery to LED board and LED Light Pipe for minimum 90-minute emergency illumination.
- Fully automatic solid-state, two rate charger initiates battery charging to recharge a discharged battery in 24 hours.
- Remote capable standard.

MOUNTING

- EZ-snap mounting canopy included for top or end mount.
- Universal K/O pattern on back plate for wall mount.

HOUSING

- Injection-molded, engineering grade, 5VA flame retardant, high-impact resistant, thermoplastic in white or black finishes.
- EZ snap-out chevron directional indicators.

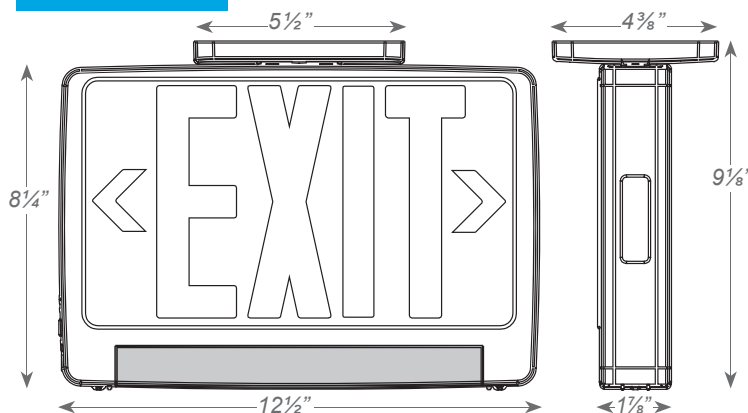
OPTIONS

- SDT: Self-diagnostic feature performs monthly, biannual, and annual tests to ensure reliable operation and meet electrical and life safety codes.
- Custom: Signs available with requested "special" wording.

WARRANTY / LISTING

- Five year warranty on all electronics and housing. Battery pro rated for five years.
- Meets UL924, NFPA 101 Life Safety Code, NEC, OSHA, Local and State Codes.
- UL Listed for damp locations (0°C – 50°C).

DIMENSIONS



ORDERING INFORMATION

Sample Part Number: **CLPU-1-R-W-RC**

Special voltage & SALIDA face plate options available. Check with your Americanlite Representative.

MODEL	No. of FACES	LETTER COLOR	HOUSING COLOR	OPTIONS		
CLPU	1	Single Face	R Red	W White	RC Remote Capable (standard)	SDT Self-diagnostics
	2	Universal Single/Double	G Green	B Black		C Custom Wording

All LED Exit & Emergency Combo

STANDARD



OPTIONAL



ILLUMINATION

- Long lasting, efficient ultra bright white LED lamp heads.
- 1 watt (8 LEDs x 0.125W) per head.
- High performance chrome-plated metallized reflector and plastic lens for optimal light distribution.
- Adjustable LED lamp heads provides optimal center-to-center spacing. Optional high-lumen heads are available for increased center-to-center spacing.
- Long life, energy efficient Red or Green LED EXIT sign illumination.

ELECTRICAL

- Dual 120/277 voltage.
- Charge rate/power "ON" LED indicator light and push-to-test switch for mandated code compliance testing.
- 9.6V Long life, maintenance-free, rechargeable NiCd battery.
- Internal solid-state transfer switch automatically connects the internal battery to LED board and LED lamp heads for minimum 90-minute emergency illumination.
- Fully automatic solid-state, two rate charger initiates battery charging to recharge a discharged battery in 24 hours.
- Remote capacity option available.

MOUNTING

- EZ-snap mounting canopy included for top or end mount.
- Universal K/O pattern on back plate for wall mount.

HOUSING

- Injection-molded, engineering grade, 5VA flame retardant, high-impact resistant, thermoplastic in white or black finish.
- EZ snap-out chevron directional indicators.

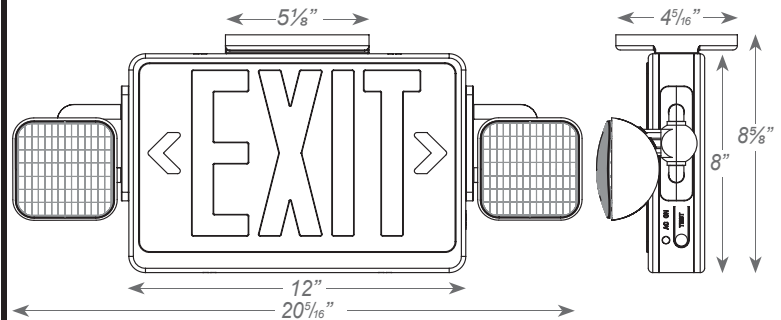
OPTIONS

- HL: 12-LED heads provide increased center-to-center spacing (1.5W per head).
- SDT: Self-diagnostic feature performs monthly, biannual, and annual tests to ensure reliable operation and meet electrical and life safety codes.

WARRANTY / LISTING

- Five year warranty on all electronics and housing. Battery pro rated for five years.
- Meets UL924, NFPA 101 Life Safety Code, NEC, OSHA, Local and State Codes.
- UL Listed for damp locations (0°C – 40°C).

DIMENSIONS



ORDERING INFORMATION

Special voltage & SALIDA face plate options available. Check with your Americanlite representative.

Sample Part Number: **LEDCXTEU-1-R-W**

MODEL	No. of FACES	LETTER COLOR	HOUSING COLOR	OPTIONS
LEDCXTEU	1 Single Face	R Red	W White	RC Remote Capacity
	2 Universal Single/Double Face	G Green	B Black	HL High Lumen SDT Self-diagnostics USA Assembled in USA under the UL "split-inspection" process

Low Profile All LED Exit & Emergency Combo



STANDARD



OPTIONAL



ILLUMINATION

- Adjustable long lasting, efficient ultra bright white LED lamp heads.
- One, 0.5W white LED per lamp head.
- Unique all inclusive lamp, reflector and lens assembly.
- Long-lasting, energy efficient Red or Green LED EXIT sign illumination.

ELECTRICAL

- Dual 120V/277 voltage standard. Optional dual 120V/230V available.
- Unique bi-color LED indicator light alerts occupant on battery condition (Green-normal, Red-check battery).
- 3.6V long life, maintenance-free, rechargeable Ni-Cd battery.
- Internal solid-state transfer switch automatically connects the internal battery to LED board and LED lamp heads for minimum 90-minute emergency illumination.
- Fully automatic solid-state, two rate charger initiates battery charging to recharge a discharged battery in 24 hours.

MOUNTING

- EZ-snap thermoplastic mounting canopy included – provides top or end mount.
- Universal K/O pattern on back plate for wall mount.

HOUSING

- Injection-molded, engineering grade, 5VA flame retardant, high-impact, thermoplastic in white or black finish.

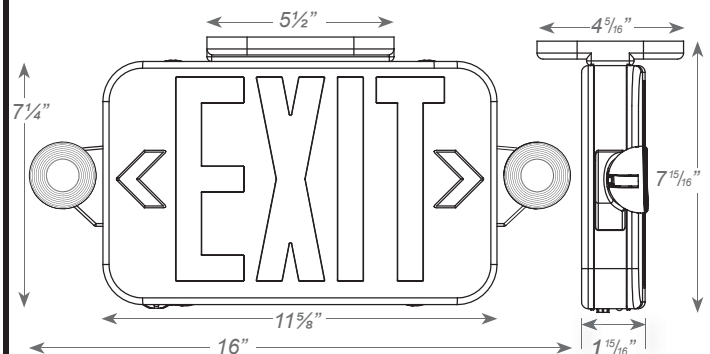
OPTIONS

- SPV: UL Listed for special voltage option.
- HL: Provides increased center-to-center spacing (2.0W per head).
- SDT: Self-diagnostic feature performs monthly, biannual, and annual tests to ensure reliable operation and meet electrical and life safety codes. Universal 120-277 voltage.
- RC: Remote capacity of up to 1.0 watts.

WARRANTY / LISTING

- Five year warranty on all electronics and housing. Battery prorated for five years.
- UL Listed for damp locations (0°C – 40°C).
- Meets UL924, NFPA 101 Life Safety Code, NEC, OSHA, Local and State Codes.
- Certified to CEC under Title 20 Regulations.

DIMENSIONS



ORDERING INFORMATION

Sample Part Number: CEU3RW

NOTES:

¹ -HL and -RC options cannot be combined. 0.5W of remote capacity available standard with -HL option

² Not available with RG units.

MODEL	No. of FACES	LETTER COLOR	HOUSING COLOR	OPTIONS
CEU	3 Universal Single/Double Face	R Red G Green RG Red/Green	W White B Black	RC Remote Capacity ¹ HL High Lumen LED ¹ SDT Self-Diagnostics ² SPV 120/230 Volt 50/60Hz ²

Reduced Profile All LED Exit & Emergency Thermoplastic Combo

STANDARD



OPTIONAL



ILLUMINATION

- Ultra-bright, energy efficient, long-life Red or Green LED EXIT sign illumination.
- Ultra-bright, energy efficient, long-life White LED adjustable LED lamp heads provide up to 30-ft center-to-center spacing with 3-ft path of egress at 10-ft mounting height.
- 1.5 watt (3 LEDs x 0.50 watt) per head.
- Unique all-inclusive lamp, reflector and lens assembly.

ELECTRICAL

- Dual 120/277 voltage.
- Unique bi-color LED indicator light alerts occupant on battery condition (Green-normal, Red-check battery).
- Charge rate/power "ON" LED indicator light and push-to-test switch for mandated code compliance testing.
- 3.6V long life, maintenance-free, rechargeable NiCd battery.
- Internal solid-state transfer switch automatically connects the internal battery to LED board and LED lamp heads for minimum 90-minute emergency illumination.
- Fully automatic solid-state, two rate charger initiates battery charging to recharge a discharged battery in 24 hours.

MOUNTING

- Mounting canopy included for top or end mount.
- Universal knockout pattern on back plate for wall mount.

HOUSING

- Injection-molded, engineering grade, 5VA flame retardant, high-impact resistant, thermoplastic in white or black finish.
- Snap-out Chevron directional indicators.

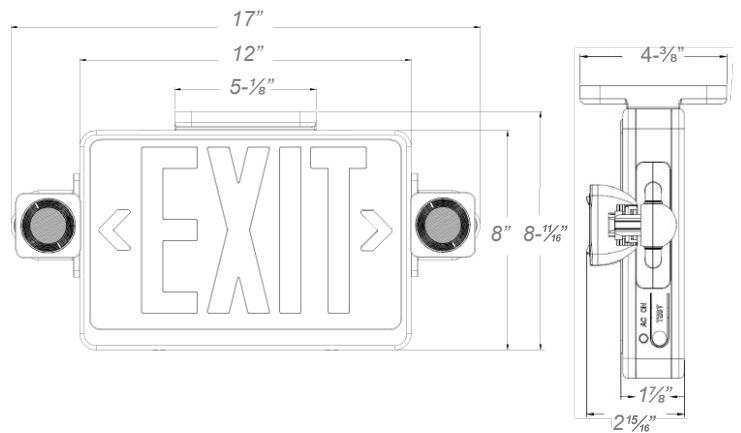
OPTIONS

- RC: Remote capacity of 2.5 watts.
- SDT: Self-diagnostic feature performs monthly, biannual, and annual tests to ensure reliable operation and meet electrical and life safety codes.

WARRANTY / LISTING

- Five-year warranty on all electronics and housing. Battery prorated for five years.
- Meets UL924, NFPA 101 Life Safety Code, NEC, OSHA, Local and State Codes.
- UL Listed for damp locations (0°C – 50°C).
- Certified to CEC under Title 20 Regulations.

DIMENSIONS



ORDERING INFORMATION

Sample Part Number: CEMGWR

MODEL	No. of FACES	LETTER COLOR	HOUSING COLOR	OPTIONS
CEM	Universal Single/ Double Face	R Red	W White	RC Remote Capacity
		G Green	B Black	SDT Self-Diagnostics

Die-Cast Aluminum LED Exit & Emergency Combo

STANDARD



ILLUMINATION

- Ultra bright, energy efficient, long life Red or Green LED.
- High performance premium grade, ultra bright white LED lamps.
- 3W (1 LED x 3 watts) per head.

ELECTRICAL

- Dual 120/277 voltage.
- Charge rate/power "ON" LED indicator light and push-to-test switch for mandated code compliance testing.
- 8.4V long life, maintenance-free, rechargeable NiCd battery.
- Internal solid-state transfer switch automatically connects the internal battery to LED board and LED lamp heads for minimum 90-minute emergency illumination.
- Fully automatic solid-state, two rate charger initiates battery charging to recharge a discharged battery in 24 hours.
- Remote capacity available as an option.

MOUNTING

- Aluminum mounting canopy included for top or end mount.
- Universal K/O pattern on back plate for wall mount.

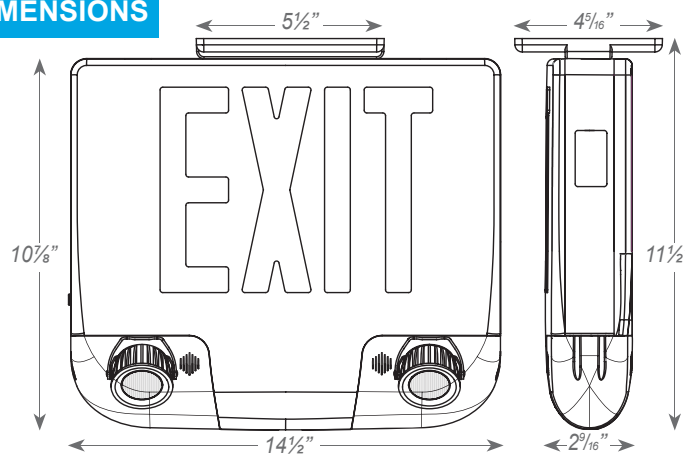
HOUSING

- First premium grade die-cast combo in the market. Unique new design provides spec grade EXIT sign with LED lamp heads in one low profile housing.
- Premium-grade, extruded aluminum housing (also available in black or white powder-coated finishes).
- Field selectable knockout chevron directional indicators.
- Quick-snap face plate closure.
- Unique design allows double face conversion in the field.

WARRANTY / LISTING

- Five year warranty on all electronics and housing. Battery pro rated for five years.
- Meets UL924, NFPA 101 Life Safety Code, NEC, OSHA, Local and State Codes.
- UL Listed for damp locations (0°C – 50°C).

DIMENSIONS



ORDERING INFORMATION

Sample Part Number: **CKXTEU-1-R-A-A-EM**

Special voltage options available. Check with your Americanlite Representative.

MODEL	No. of FACES	LETTER COLOR	HOUSING COLOR	FACE PLATE	BATTERY	OPTIONS
CKXTEU	1	Single Face	R Red	W White	W White	EM Battery Backup
	2	Double Face	G Green	B Black	B Black	RC Remote Capacity
	3	Universal Single/Double Face		A Aluminum	A Aluminum	

Wet Location All LED Exit & Emergency Combo

STANDARD



OPTIONAL



ILLUMINATION

- Long lasting, efficient, ultra bright white LED lamp heads.
- 3.6W (3 LEDs x 1.2 watt) per head.
- Adjustable LED lamp heads provide optimal center-to-center spacing.
- Long-life, energy efficient Red or Green LED EXIT sign illumination.

ELECTRICAL

- Dual 120/277 voltage.
- Unique bi-color LED indicator light alerts occupant on battery condition (Green-normal, Red-check battery).
- 6V long life, maintenance free, rechargeable NiCd battery.
- Internal solid-state transfer switch automatically connects the internal battery to LED board and lampheads for minimum 90-minute emergency illumination.
- Fully automatic solid state, two rate charger initiates battery charging to recharge a discharged battery in 24 hours.

MOUNTING

- Die-cast aluminum mounting canopy included for top or end mount.
- Universal K/O pattern on back plate for wall mount.

HOUSING

- 5VA flame retardant, UV stabilized polycarbonate in white, black or gray finish.
- High-impact resistant, UV stabilized polycarbonate clear lens.
- Corrosion resistant enclosure with engineering grade silicone gasket.
- Top and side K/O's provided for conduit feed applications.
- EZ snap-out Chevron directional indicators.

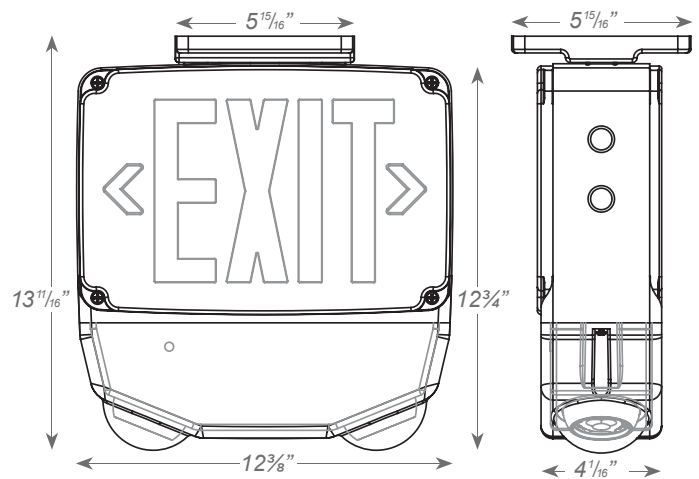
OPTIONS

- SDT: Self-diagnostic feature performs monthly, biannual, and annual tests to ensure reliable operation and meet electrical and life safety codes.
- TP: Tamper-proof hardware helps prevent unauthorized access to the unit.
- CW: Optional internal heater and battery blanket for extreme cold temperature applications (-20°C – 50°C).
- Custom: Signs available with requested "special" wording.

WARRANTY/LISTING

- Five year warranty on all electronics and housing. Battery pro-rated for five years.
- Meets UL924, NFPA 101 Life Safety Code, NEC, OSHA, Local and State Codes.
- UL listed for wet locations (0°C – 50°C).

DIMENSIONS



ORDERING INFORMATION

Sample Part Number: **CWLEZXTEU-1-R-W**

MODEL	No. of FACES	LETTER COLOR		HOUSING COLOR		OPTIONS				
CWLEZXTEU	1	Single Face	R	Red	W	White	TP	Tamper Proof Screws	CW	Cold Weather
	2	Double Face	G	Green	B	Black	CUSTOM	Custom Wording	RC	Remote Capacity
			G	Gray (with white faceplate)	G	Gray (with white faceplate)			SDT	Self Diagnostics

All LED NEMA4X/NSF Exit & Emergency Combo Emergency Combo



STANDARD



OPTIONAL



ILLUMINATION

- Two fully adjustable, ultra bright 3.3 watt high performance MR-16 base LED lamp heads for optimized center-to-center spacing.
- Long-life, energy efficient Red or Green LED EXIT sign illumination.

ELECTRICAL

- Dual 120/277 voltage.
- Unique bi-color LED indicator light alerts occupant on battery condition (Green-normal, Red-check-battery).
- Charge rate/power "ON" LED indicator light and magnetic test switch for mandated code compliance testing.
- 6V/12V maintenance-free, rechargeable NiCd battery (12W, 15W models).
- 6V/12V maintenance-free, rechargeable sealed lead acid battery (28W model).
- Offers 4.8W, 7.8W, 20.8W of remote capacity (6V/12V DC output) standard on the 12W, 15W and 28W models.
- Internal solid-state transfer switch automatically connects the internal battery to LED board and lamp heads for minimum 90-minute emergency illumination.
- Fully automatic solid-state, two-rate charger initiates battery charging to recharge a discharged battery in 24 hours.

MOUNTING

- Universal knockout pattern on back provided with gasket for watertight seal for back mount.
- Polycarbonate mounting canopy included for top or end mount.

HOUSING

- Housing is reinforced polycarbonate construction in white or black finish.
- Corrosion-resistant enclosure with one piece, high-impact resistant, UV stabilized polycarbonate lens and molded gasket with stainless steel screws.
- Knockouts provided for conduit feed applications.
- EZ snap-out Chevron directional indicators.

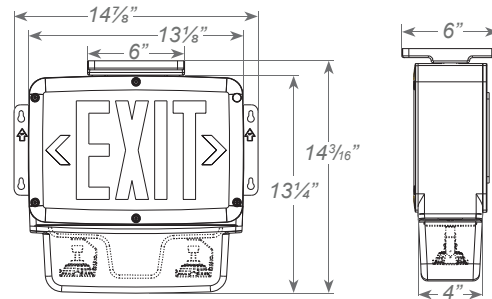
OPTIONS

- SDT: Self-diagnostic feature performs monthly, biannual, and annual tests to ensure reliable operation and meets electrical and life safety codes.
- CW: Optional internal heater and battery blanket for extreme cold temperature applications (-20°C – 50°C).
- TP: Tamper-proof hardware helps discourage unauthorized access to the unit.
- NH: No lamp heads attached to the unit enabling it to be used as a remote capable EXIT sign.

WARRANTY / LISTING

- Five year warranty on all electronics and housing. Batteries prorated for two (lead acid) / five (NiCd) years.
- Meets UL924, NFPA101 Life Safety Code, NEC, OSHA, Local and State Codes.
- IP66 rated for Ingress protection.
- NEMA4X rated.
- UL certified for use in food service operations.
- UL listed for wet locations (0°C – 50°C on 12W / 15W and 10°C - 40°C on 28W models).

DIMENSIONS



ORDERING INFORMATION

Sample Part Number: **INDCWLEZU1R615B**

¹ Available only in 15W & 28W models.

² Available only in 12W models.

³ Available only in 12W & 15W models.

MODEL	No. of FACES	LETTER COLOR	VOLTAGE	WATTAGE	HOUSING COLOR	OPTIONS	
INDCWLEZU	1	Single ¹	R Red	6 6 volts	12 12 watts	W White	SDT Self-Diagnostics
	2	Double ²	G Green	12 12 volts	15 15 watts 28 28 watts	B Black	CW Cold Weather ³ TP Tamper-Proof NH No Heads

New York City Approved LED Exit & Incandescent Emergency Combo

STANDARD



ILLUMINATION

- Two fully adjustable 12W, glare-free lamp heads with field installable 3rd emergency lighting head included.
- K/Os provided on sides of unit to relocate lamp heads.
- High performance smooth metal reflector and glass lens for optimal light distribution.
- Ultra bright, energy efficient, long life Red LED.
- New York City compliant 8" EXIT letters.

ELECTRICAL

- Dual 120/277 voltage.
- Charge rate/power "ON" LED indicator light and push-to-test switch for mandated code compliance testing.
- LVD (low voltage disconnect) prevents battery from deep discharge.
- 6V maintenance-free, rechargeable sealed lead acid battery.
- Internal solid-state transfer switch automatically connects the internal battery to LED board and lamp heads for minimum 90-minute emergency illumination.
- Fully automatic solid-state, two rate charger initiates battery charging to recharge a discharged battery in 24 hours.

MOUNTING

- Mounting hardware provided for back surface wall mount.
- Top and side K/Os provided for conduit feed applications.

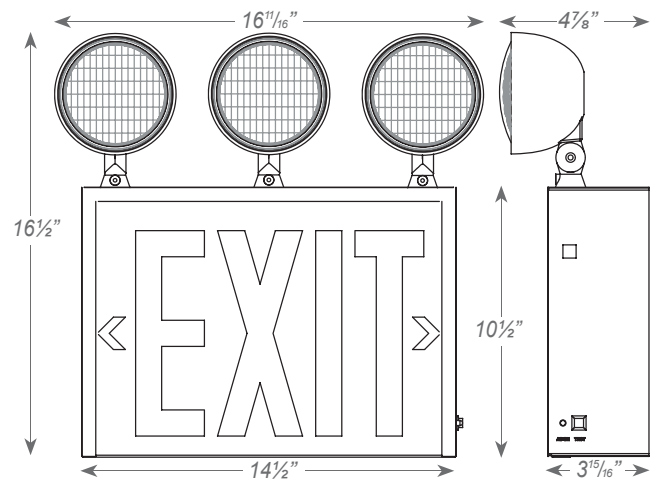
HOUSING

- Durable, powder-coated 20-gauge steel construction in white or black finish.
- Injection-molded, engineering grade, high-impact, thermoplastic heads.
- Field removable steel knockout chevron directional indicators on exit face.

WARRANTY / LISTING

- Five year warranty on all electronics and housing. Battery pro rated for two years.
- Meets UL924, NFPA 101 Life Safety Code, NEC, OSHA, Local and State Codes.

DIMENSIONS



ORDERING INFORMATION

Sample Part Number: **CNYXTE-1-R-W-3**

MODEL	No. of FACES	LETTER COLOR	HOUSING COLOR	No. of HEADS
CNYXTE	1 Single Face	R Red	W White B Black	3 Standard No Heads

Chicago Approved Steel LED Exit & Emergency Combo

STANDARD



ILLUMINATION

- Long lasting, energy efficient white LED exit sign illumination.
- Single or double face configuration.
- Two 6V 5.3W adjustable white LED lamp heads.

ELECTRICAL

- Dual 120/277 voltage standard.
- Charge rate/power "ON" LED indicator light and push-to-test switch for mandated code compliance testing.
- 6V sealed lead acid, maintenance-free, rechargeable battery.
- LVD (low voltage disconnect) prevents battery from deep discharge.
- Internal solid-state transfer switch automatically connects the internal battery to LED board and LED lamp heads for minimum 120 minute emergency illumination.
- Fully automatic solid-state, two rate charger initiates battery charging to recharge a discharged battery in 24 hours.
- Remote capacity option available.

MOUNTING

- Mounting canopy included for top or end mount.
- Universal K/O pattern on back plate for wall mount.

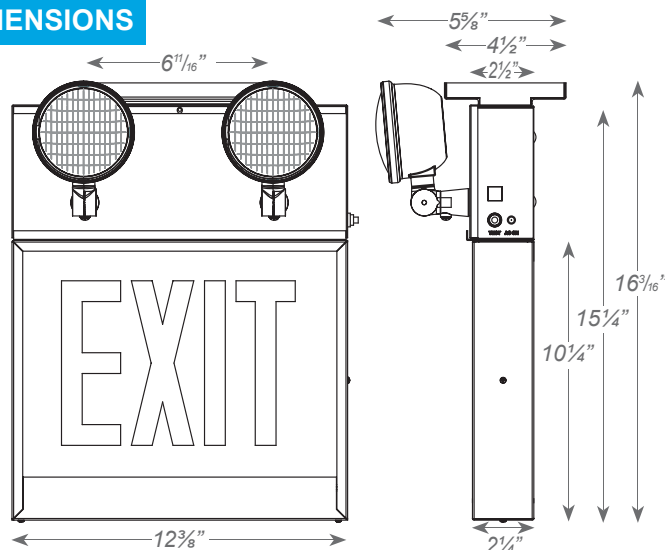
HOUSING

- Durable 20-gauge steel construction.
- White or black finish.

WARRANTY / LISTING

- Five year warranty on all electronics and housing. Battery pro rated for two years.
- Meets UL924, NFPA 101 Life Safety Code, NEC, OSHA, Local and State Codes.
- UL Listed for damp locations (20°C – 50°C).

DIMENSIONS



ORDERING INFORMATION

Sample Part Number: **CALEDCXTEU-1-R-W**

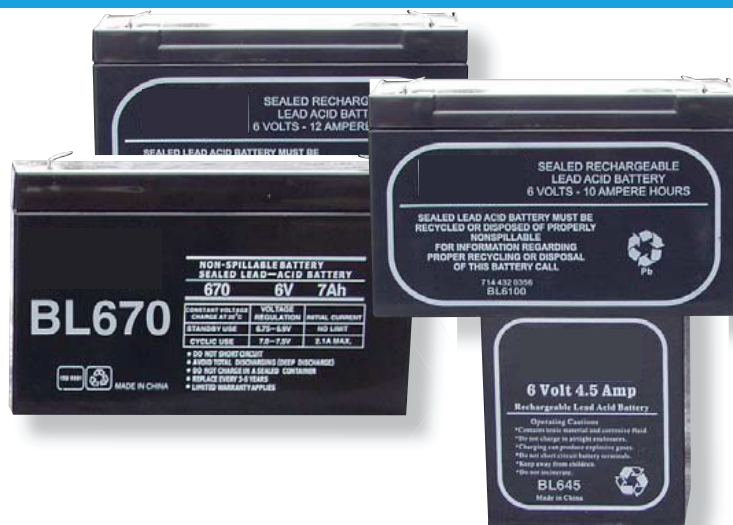
MODEL	No. of FACES	LETTER		HOUSING		OPTIONS		DIRECTIONAL ARROW				
CALEDCXTEU	1	Single Face	R	Red	W	White	RC	Remote Capacity	NA	Exit No Arrow	SW-LA ¹	Stairs Left Arrow
	2	Double Face			B	Black			DA	Exit Double Arrow	SW-NA	Stairs No Arrow
									RA ¹	Exit Right Arrow	SW-DA	Stairs Double Arrow
									LA ¹	Exit Left Arrow	SW-RA ¹	Stairs Right Arrow
									LARA ²	Exit Left/Right Arrow	SW-LARA ¹	Stairs Left/Right Arrow

Notes:

1. Available only with single face units.
2. Available only with double face units.

Rechargeable Sealed Lead Acid Batteries

STANDARD



ILLUMINATION

- Lighting equipment
- Communications and electrical equipment
- Emergency lighting equipment
- Fire alarm & security systems

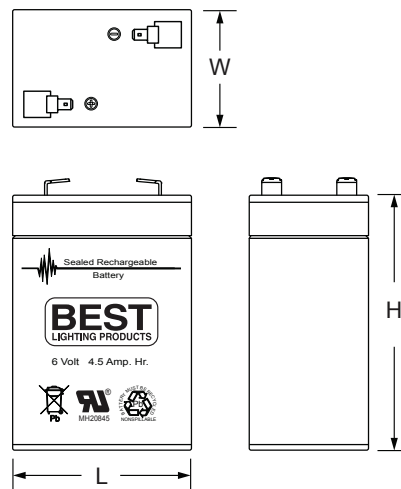
FEATURES

- Valve-regulated and safe to discharge in any position
- Completely sealed construction requires no special handling when shipping via surface or air
- Impact-resistant ABS housing
- Will last up to 5 Years in standby applications and 200 to 1,000 cycles in cyclic applications depending on depth of discharge
- Available in a variety of sizes and amp ratings
- Provides reliable power output in a variety of applications, resulting in greater efficiency and improved ability to recover from deep discharge
- Cycle or Standby use
- Low resistance safety feature makes the batteries easy to recharge & maximizes energy output
- Standard F1 or F2 "fl at lugs" type terminal

WARRANTY / LISTING

- Batteries are pro-rated warranted for 5 years.

DIMENSIONS



ORDERING INFORMATION

MODEL	NOMINAL VOLTAGE	NOMINAL CURRENT	LENGTH (L)	HEIGHT (H)	WIDTH (W)	WEIGHT
BL645	6V	4.5 Amp-Hr	2-3/4"	3-15/16"	1-13/16"	1.6 lbs.
BL670	6V	7.0 Amp-Hr	5-15/16"	3-11/16"	1-3/4"	2.4 lbs.
BL6100	6V	10.0 Amp-Hr	5-7/8"	3-11/8"	1-15/16"	3.4 lbs.
BL6120	6V	12.0 Amp-Hr	5-7/8"	3-11/16"	1-15/16"	4.0 lbs.

Specifications and dimensions subject to change without notice.

LED Retrofit Kits

STANDARD



SCREW-IN
RETROFIT KIT



HARD WIRE RETROFIT KIT

ILLUMINATION

- Kits easily convert incandescent exit signs to energy efficient LED EXIT signs.
- Ultra bright, long life Red LED.

ELECTRICAL

Hard wire:

- Dual 120/277 voltage.
- Energy usage of 2.8W per kit.

Screw-in:

- 120 voltage only.
- Energy usage of 2.8W per kit.

	INCANDESCENT	GREEN LED KIT	RED LED KIT
EXIT Energy Use	30W (15W lamp x 2)	1.4W (0.7W LED's x 2)	2.8W (1.4W LED's x 2)
"ON" Hours / Year	8760	8760	8760
Price / Kilowatt Hour	\$ 0.09	\$ 0.09	\$ 0.09
Energy Usage / Year	262,800 Watts	12,264 Watts	24,528 Watts
Annual Cost	\$ 23.65	\$ 1.10	\$ 2.21
Watt Savings / Year		250,536	238,272
Annual Savings		\$ 22.55	\$ 21.44

Example based on 9¢/KWhr

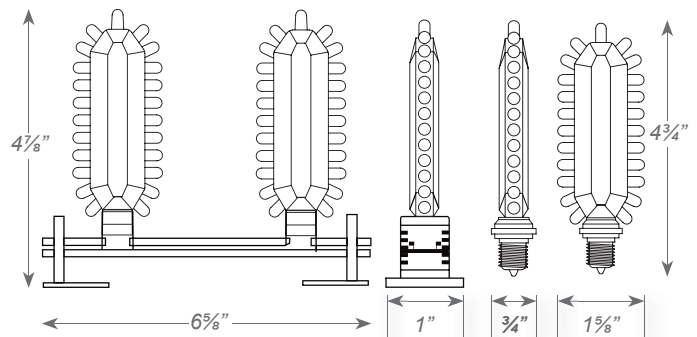
MOUNTING

- Hard wire kits come complete with mounting bracket and double-sided tape for easy installation.
- Screw-in kits are supplied with socket adapters for installation in signs with bayonet, intermediate or candelabra bases.

WARRANTY / LISTING

- Five year warranty.
- Meets UL924, NFPA 101 Life Safety Code, NEC, OSHA, Local and State Code.

DIMENSIONS



ORDERING INFORMATION

MODEL	KIT
RFXTE-3	Red Screw-in Kit

Sample Part Number: RFXTE-3

Indoor High Performance MR16 LED Remote Head



ILLUMINATION

- Long lasting, efficient ultra bright white LED lamp heads.
- Adjustable 3.3W lamp heads increase center-to-center spacing.

ELECTRICAL

- Powered from low voltage power source with low voltage wiring (not provided).

MOUNTING

- Universal mounting base plate included with mounting hardware.
- Distance of maximum run is determined by system voltage, wire gauge and total maximum wattage on the run.
- Suitable for wall or ceiling mount.

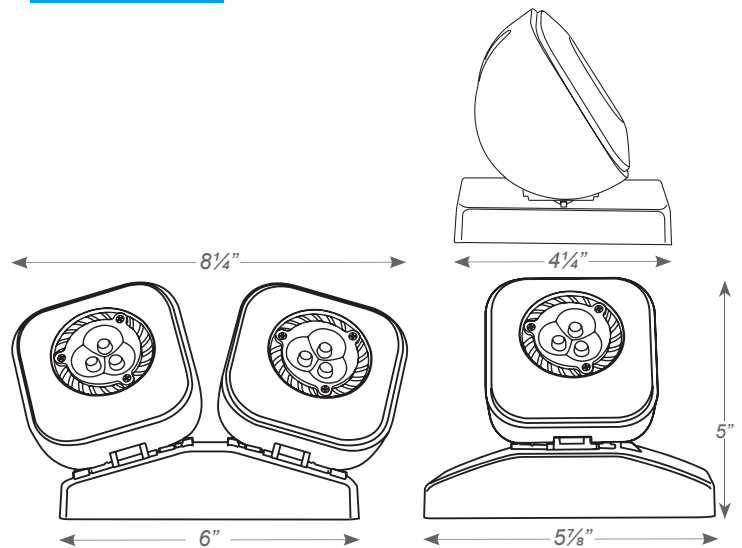
HOUSING

- Injection-molded, engineering grade, 5VA flame retardant, high-impact resistant, thermoplastic in white or black finish.

WARRANTY / LISTING

- Five year warranty.
- Meets UL924, NFPA 101 Life Safety Code, NEC, OSHA, Local and State Codes.

DIMENSIONS



FIXTURE COMPATIBILITY

Reference individual unit equipment specification sheets for remote load capacity availability.

LIGHTING MODEL TYPE			
LEDTFX-2	R-5HO	TFX-2	EZXTE-RC
LEDCADXR	R-16-HO	NYDXR	CLPU-RC
RMR-16-65/125	DXR	CXTEU-RC	CALEDXTE
	LEDCXTEU-RC	LEDR5-HO	

ORDERING INFORMATION

Sample Part Number: **RH16LED-1-MV**

MODEL	No. of HEADS	COLOR	VOLTAGE
RH16LED	1 Single Head	Blank White	MV For use with 3.6V, 6V, 9.6V or 12V batteries
	2 Double Head	B Black	

Indoor LED Remote Head



ILLUMINATION

- Long lasting, efficient, ultra bright white LED lamp heads.
- High performance chrome-plated metallized reflector and plastic lens with 8 or 12 LED's in each lamp head for optimal light distribution.
- Adjustable LED lamp heads increases center-to-center spacing.

ELECTRICAL

- Powered from low voltage power source with low voltage wiring (not provided).

MOUNTING

- Universal mounting base plate included with mounting hardware.
- Distance of maximum run is determined by system voltage, wire gauge and total maximum wattage on the run.
- Suitable for wall or ceiling mount.

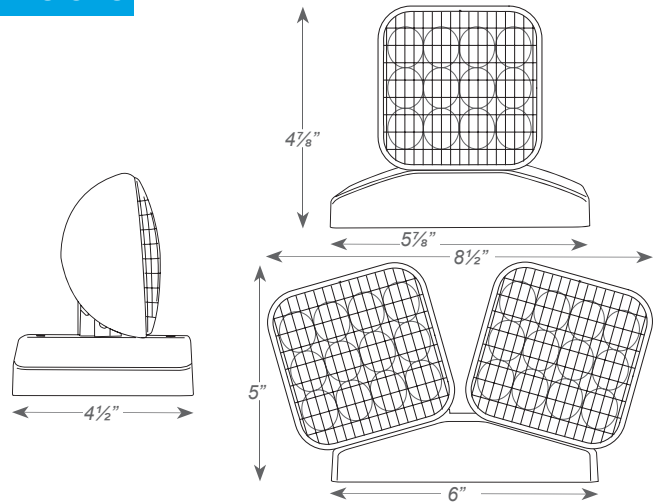
HOUSING

- Injection-molded, engineering grade, 5VA flame retardant, high-impact resistant, thermoplastic in white or black finish.

WARRANTY / LISTING

- Five year warranty.
- Meets UL924, NFPA 101 Life Safety Code, NEC, OSHA, Local and State Codes.

DIMENSIONS



FIXTURE COMPATIBILITY CHART

Reference individual unit equipment specification sheets for remote load capacity availability.

MODEL TYPE	3.6V	9.6V	MV
LEDCXTEU-RC		X	X
CLPU-RC		X	X
CKXTEU-RC	X		X
LEDR-5HO	X		X
LEDTFX-2		X	X
E-1-RC	X		X
CEU-RC	X		X

ORDERING INFORMATION

Sample Part Number: **RHLED-1-9.6**

MODEL	No. of HEADS	OPTIONS		VOLTAGE		COLOR		LAMP TYPE ¹		
RHLED	1	Single Head	Blank	For Standard non-self-diagnostic fixtures	3.6V	For use with 3.6V batteries	Blank	White	Blank	8 LEDs 1W
	2	Double Head	SDT	For use with fixtures with a self-diagnostic option	9.6V	For use with 9.6V batteries	B	Black	HL	12 LEDs 1.5W
					MV	For use with 3.6V, 6V, 9.6V & 12V batteries				

Notes:

1. Wattage rating stated per head.

Outdoor LED Remote Head



Also available in Thermoplastic

ILLUMINATION

- Long lasting, efficient, ultra bright white LED lamp heads.
- High performance chrome-plated metallized reflector and glass lens with 8 or 12 LED's in each lamp head for optimal light distribution.
- Adjustable LED lamp heads increases center-to-center spacing.

ELECTRICAL

- Powered from low voltage power source with low voltage wiring (not provided).

MOUNTING

- Universal mounting base mounts to single-gang switch box.
- Distance of maximum run is determined by system voltage, wire gauge and total maximum wattage on the run.
- Suitable for wall or ceiling mount.

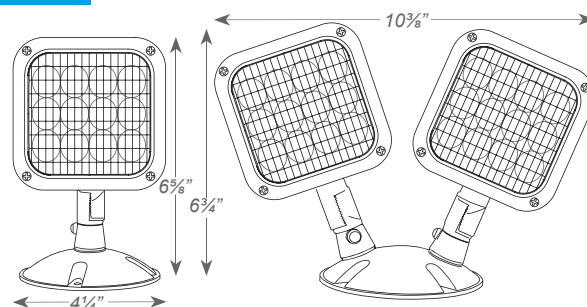
HOUSING

- Available in both engineering grade, high-impact resistant thermoplastic or premium grade die-cast aluminum housing.
- Sealed and gasketed in standard gray or optional black finish.

WARRANTY / LISTING

- Five year warranty.
- Meets UL924, NFPA 101 Life Safety Code, NEC, OSHA, Local and State Codes.

DIMENSIONS



FIXTURE COMPATIBILITY CHART

Reference individual unit equipment specification sheets for remote load capacity availability.

MODEL TYPE	3.6V	9.6V	MV
LEDCXTEU-RC		X	X
CLPU-RC		X	X
CKXTEU-RC	X		X
LEDR-5HO	X		X
LEDTFX-2		X	X
E-1-RC	X		X
CEU-RC	X		X

ORDERING INFORMATION

Sample Part Number: **RHLED-1-WP-9.6**

MODEL	No. of HEADS	OPTIONS		HOUSING		VOLTAGE		COLOR		LAMP TYPE ¹		
RHLED	1	Single Head	Blank	For standard non-self-diagnostic fixtures	PWP	Thermoplastic	3.6V	For use with 3.6V batteries	Blank	Gray	Blank	8 LEDs 1W
	2	Double Head	SDT	For use with fixtures with a self-diagnostic option	WP	Die-cast	9.6V	For use with 9.6V batteries	B	Black	HL	12 LEDs 1.5W
							MV	For use with 3.6V, 6V, 9.6V & 12V batteries				

Notes:

1. Wattage rating stated per head.

Indoor Round Incandescent Remote Head



ILLUMINATION

- Smooth chrome-plated metallized reflector with plastic lens for optimal light distribution.
- Adjustable lamp heads with 6V and 12V wedge base incandescent lamps provide increased center-to-center spacing.

ELECTRICAL

- Powered from low voltage power source with low voltage wiring (not provided).

MOUNTING

- Universal mounting base plate included with mounting hardware.
- Distance of maximum run is determined by system voltage, wire gauge and total maximum wattage on the run.
- Suitable for wall or ceiling mount.

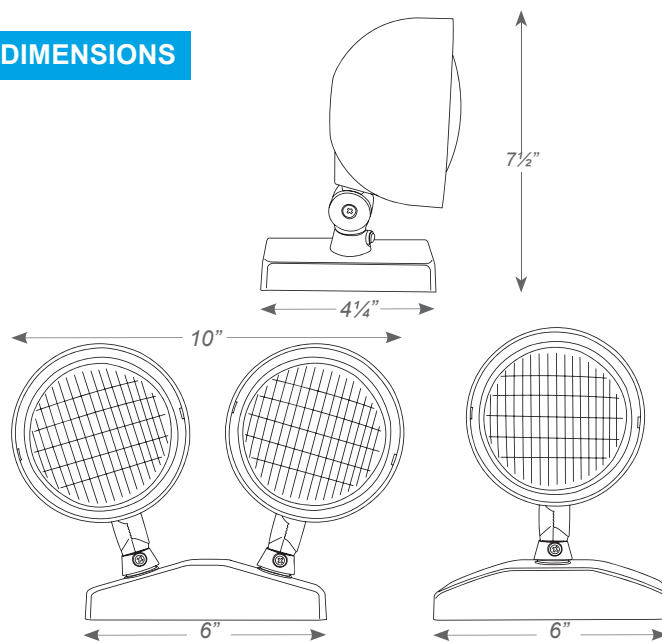
HOUSING

- Injection-molded, engineering grade, 5VA flame retardant, high-impact resistant, thermoplastic in white or black finish.

WARRANTY / LISTING

- Five year warranty.

DIMENSIONS



FIXTURE COMPATIBILITY

Reference individual unit equipment specification sheets for remote load capacity availability.

MODEL TYPE	6V	12V	MODEL TYPE	6V	12V
NYDXR-50		X	TFX-2	X	
RMR-16-65	X		NYDXR-27	X	
RMR-16-125		X	EZXTE-RC	X	
R-5HO	X		CXTE-RC	X	
R-16-HO	X		DXR-125/1210		X
DXR-65/610	X		CALEDCXTE	X	
LEDCADXR	X				

ORDERING INFORMATION

Sample Part Number: **RHR-1-6V5.4W**

MODEL	No. of HEADS	COLOR	VOLTAGE	WATTAGE ¹
RHR	1 Single Head	Blank White	6V For use with 6V batteries	5.4W ²
	2 Double Head	B Black	12V For use with 12V batteries	7.2W 9.0W 12.0W

¹ Wattage rating stated per head.

² Available in 6V units only.

Remote Test Switch



APPLICATION

- *RTS provides remote testing capability for SPS mini-inverter, unit equipment and exit signs. Not compatible with emergency ballasts.*

ELECTRICAL

- *Field selectable 120 voltage or 277 voltage.*
- *Power "ON" LED indicator light and push-to-test switch for mandated code compliance testing.*

MOUNTING

- *Remote Test Switch can be mounted to any standard switch box.*
- *Suitable for wall or ceiling mount.*

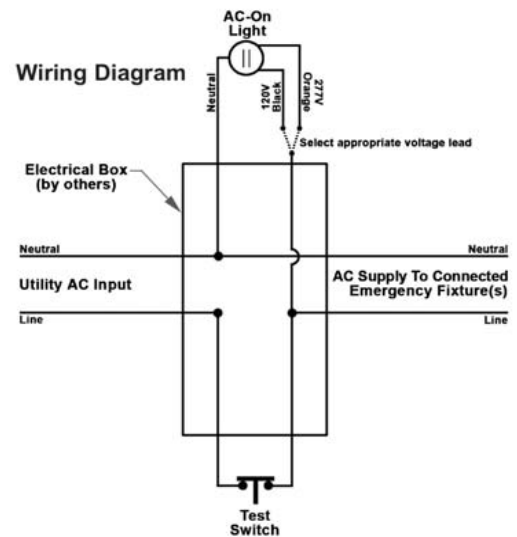
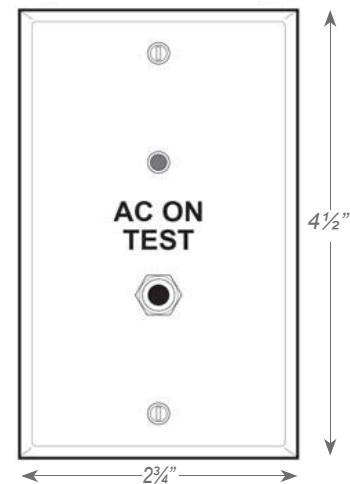
CONSTRUCTION

- *Injection-molded, engineering grade, V-0 flame retardant mounting plate in white finish.*

WARRANTY / LISTING

- *Five year warranty.*
- *Meets UL924, NFPA 101 Life Safety Code, NEC, OSHA, Local and State Codes.*

DIMENSIONS



ORDERING INFORMATION

MODEL
RTS

Sample Part Number: RTS

Indoor Incandescent Steel Remote Heads



ILLUMINATION

- Long lasting, efficient, wedge base incandescent or bi-pin halogen lamps.
- High performance chrome-plated metallized reflector and glass lens for optimal light distribution.
- Adjustable 6V or 12V lamp heads increase center-to-center spacing.

ELECTRICAL

- Powered from low voltage power source with low voltage wiring (not provided).

MOUNTING

- Universal mounting base mounts to single-gang switch box.
- Distance of maximum run is determined by system voltage, wire gauge and total maximum wattage on the run.
- Suitable for wall or ceiling mount.

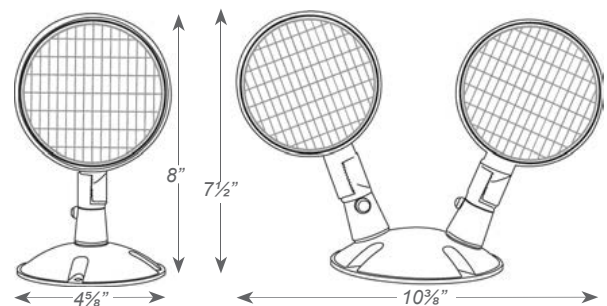
HOUSING

- Durable 20-gauge steel in white or black finish.

WARRANTY / LISTING

- Five year warranty.
- Meets UL924, NFPA 101 Life Safety Code, NEC, OSHA, Local and State Codes.

DIMENSIONS



FIXTURE COMPATIBILITY CHART

Reference individual unit equipment specification sheets for remote load capacity availability.

MODEL TYPE	6V	12V	MODEL TYPE	6V	12V
NYDXR-50		X	TFX-2	X	
RMR-16-65	X		NYDXR-27	X	
RMR-16-125		X	EZXTE-RC	X	
R-5HO	X		CXTE-RC	X	
R-16-HO	X		DXR-125/1210		X
DXR-65/610	X		CALEDCXTE	X	
LEDCADXR	X				

ORDERING INFORMATION

Sample Part Number: **SRH-1-12V-12W**

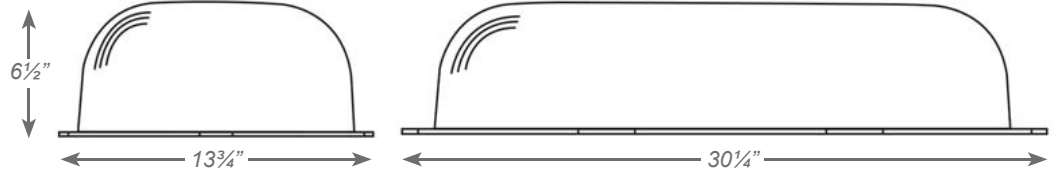
MODEL	No. of HEADS	COLOR	VOLTAGE	WATTAGE ¹	LAMP TYPE
SRH	1 Single Head	Blank White	6V For use with 6V batteries	5.4W	Blank Wedge-base incandescent
	2 Double Head	B Black	12V For use with 12V batteries	7.2W 9.0W 12W	BPH ² Bi-Pin Halogen

Notes:

1. Wattage rating stated per head.
2. Available in 12W only.



BG-3C



HOUSING MOUNTING

- High-impact resistant polycarbonate material.
- Mounting hardware provided for easy installation in the field.



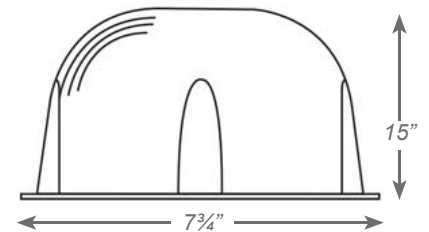
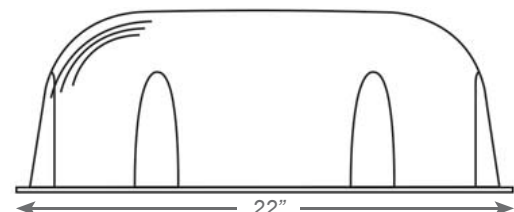
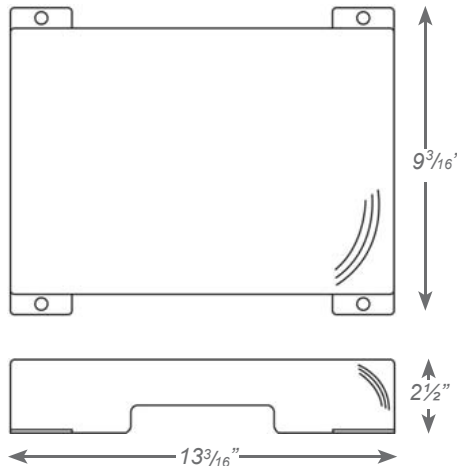
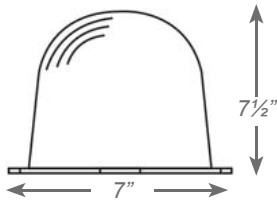
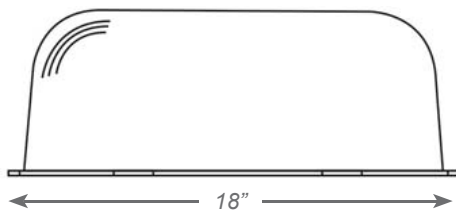
BGR-1



PCS-1



BG-1

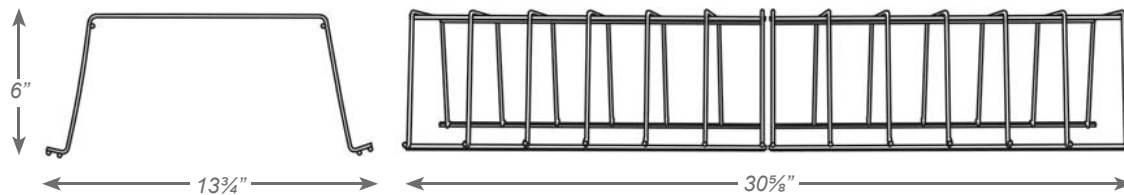
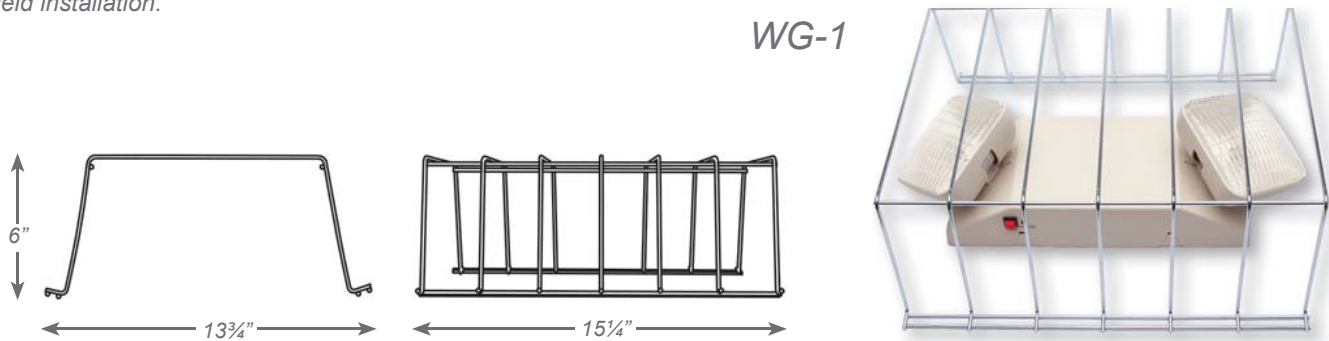


ORDERING INFORMATION

MODEL	USE WITH	DIMENSIONS
PCS-1	CLPU, EZRXTE, EZTXTE, EZXTE, KXTE, KZXTE, SLXTU, SXTE,	2 1/2" x 9-3/16" x 13 3/16"
BG-1	CA26S10, CKXTE, CLPU, DBEL, DXR, ELXTE, EZRXTE, EZTXTE, EZXTE, EZXTE-RC, KXTE, KZXTE, LEDCXTE, LEDTFX-2, NYELXTE, NYKXTE, NYXTE, PLELRXTE, SLXTU, SXTE, TFX-2, WLEZXTE, WLXTE	7 3/4" x 22" x 15"
BGR-1	R-1, R-2, R-16, R-16-HO, R5HO, RMR-16, RMR-16-WP, LEDR-2, LEDR-5HO, LEDR1	7 1/2" x 18" x 7"
BG-3C	CXTE	13 3/4" x 30 1/4" x 6 1/2"

WIRE GUARD

- Durable 9-gauge steel construction.
- Mounting hardware provided for easy field installation.



ORDERING INFORMATION

MODEL	USE WITH	DIMENSIONS
WG-1	CA26S10, CKXTE, CLPU, DBEL, EZRXTE, EZXTE, EZXTE-RC, PLELRXTE, KXTE, LEDR-1, LEDR-2, LEDR-5HO, LEDTFX-2, NYXTE, PAR-1, R-1, R-2, R-16, R-16-HO, RMR-16, RMR16-WP, SLXTU, SXTE, WLEZTE, WLXTE	13 3/4" x 15 1/4" x 6"
WG-3	CXTE, DXR, LEDCXTE, NYELXTE, NYKXTE	13 3/4" x 30 5/8" x 6"



Warranty

Americanlite® is pleased to provide a 5 year limited warranty covering the fixtures in this catalogue. Americanlite® warrants that the fixtures comply with Americanlite®'s published specifications and are free from defects in materials and workmanship.

All our equipment is CE, TUV, FCC or UL approved and manufactured with approved components. Americanlite® reserves the right to change or improve the design or components of any of its products due to parts availability or changes in standards, without assuming any obligation to modify any product previously manufactured and without notice. All equipment is tested and inspected before shipment.

This warranty is void if the product is operated outside of its normal operating conditions. The foregoing warranty does not apply to failures caused by acts of God or as a result of any abuse, misuse, abnormal use, or use in violation of any applicable standard, code or instructions for use in installations, including, but not limited to, those contained in the Standards for the International Electrotechnical Commission. Americanlite® reserves and has the right to examine failed fixture to determine the cause of failure, excessive lumen depreciation and patterns of usage.