



UL LED Downlite™

USA Quickship program

americanlite®

We light your world™



Surface-Mounted Luminaire Kelvin Field Selectable



STANDARD



FEATURES

- Field selectable 2700k (soft white), 3000k (warm white), 3500k (warm/neutral white), 4000k (neutral white), and 5000k (cool white) color temperatures.*
- Long-life LEDs provide at least 70% of initial lumen output (L_{70}) for 93,000 hours of operation.**
- Color rendering index (R_a) > 90.
- DR10 provides 1,000 nominal lumens from 15 nominal watts.
- DR14 provides 1,800 nominal lumens from 20 nominal watts.
- DR18 provides 2,000 nominal lumens from 20 nominal watts.
- Input voltage = 120V 60Hz.
- Power factor > 0.90.
- Triac dimming.
- Steel housing, brushed nickel finish.
- Polystyrene lens.
- Easy installation in new construction or remodel applications.
- This device is not intended for use with emergency exits.

WARRANTY & LISTINGS

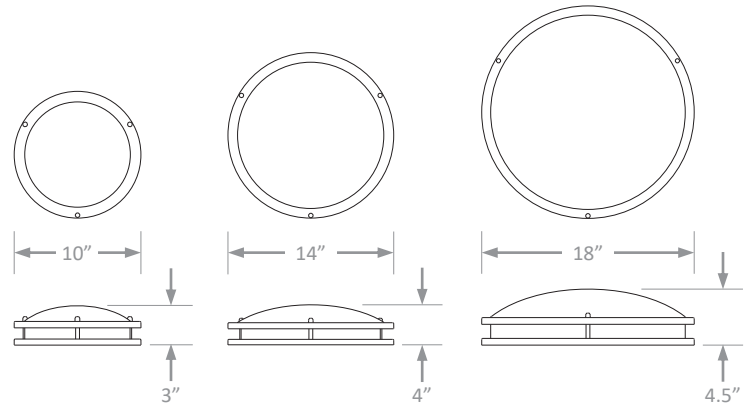
- cETLus listed for damp locations in ambient temperatures of -15°C to 40°C (5°F to 104°F).
- Energy Star qualified.
- Title 24 qualified.
- Complies with FCC Part 15, class B.
- Input transient protection = 1kV.
- 5-year warranty of all electronics and housing.

* Contact factory for other color temperatures and lumen packages.
 ** L_{70} hours are IES TM-21-11 calculated hours.

COMPATIBLE DIMMERS

| Manufacturer/Series | Model Number |
|---------------------|----------------|
| Lutron Diva | DVCL-153PR-WH |
| Lutron Diva | CTCL-153PDH-WH |
| Lutron Diva | TGCL-153PH-WH |
| Lutron Diva | MACL-153MH-WH |
| Lutron Diva | P-PKG1W-WH-R |
| Leviton | R62-06674-P0W |
| Leviton | R12-06672-1LW |
| Leviton | R50-IPL06-10M |
| Eaton | SAL06P-LA-K |

DIMENSIONS



Weights:

DR10 = 1.4 lbs
 DR14 = 2.2 lbs
 DR18 = 3.3 lbs

ORDERING INFORMATION

Example: DR14-18L-KFS

| Series | Nominal Lumen Output | | Color Temperature | |
|--------|----------------------|----------|-------------------|-------|
| | 10L | 1,000 lm | KFS* | |
| DR14 | 18L | 1,800 lm | | 2700k |
| DR18 | 20L | 2,000 lm | | 3000k |
| | | | | 3500k |
| | | | | 4000k |
| | | | | 5000k |

Disk Light – Kelvin Field Selectable

STANDARD



FEATURES

- Field selectable 2700k (soft white), 3000k (warm white), 3500k (warm/neutral white), 4000k (neutral white), and 5000k (cool white) color temperatures.*
- Long-life LEDs provide at least 70% of initial lumen output (L_{70}) for 119,000 hours of operation.**
- Color rendering index (R_a) > 90.
- 1,100 nominal lumens.
- 18 nominal watts.
- Input voltage = 120V 60Hz.
- Power factor > 0.90.
- Triac dimming.
- Aluminum housing.
- White, nickel, or bronze housing color.
- Glass lens.
- Easy installation in new construction or remodel applications.
- This device is not intended for use with emergency exits.

WARRANTY & LISTINGS

- cETLus listed for damp locations in ambient temperatures of -15°C to 40°C (5°F to 104°F).
- Energy Star qualified.
- Title 24 qualified.
- Complies with FCC Part 15, class B.
- Input transient protection = 2.5kV.
- 5-year warranty of all electronics and housing.

* Contact factory for other color temperatures and lumen packages.

** L_{70} hours are IES TM-21-11 calculated hours.

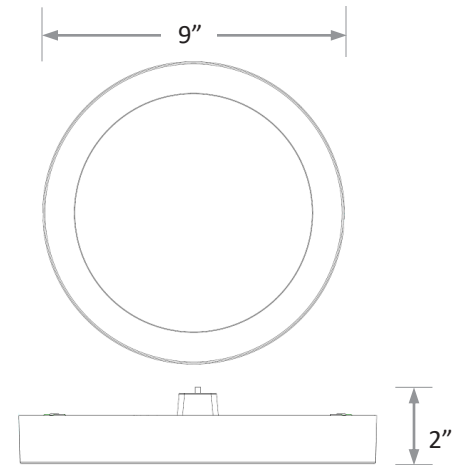


Shown with brushed nickel finish

COMPATIBLE DIMMERS

| Manufacturer/Series | Model Number |
|---------------------|----------------|
| Lutron Diva | DVCL-153PR-WH |
| Lutron Diva | CTCL-153PDH-WH |
| Lutron Diva | TGCL-153PH-WH |
| Lutron Diva | MACL-153MH-WH |
| Lutron Diva | P-PKG1W-WH-R |
| Leviton | R62-06674-P0W |
| Leviton | R12-06672-1LW |
| Leviton | R50-IPL06-10M |
| Eaton | SAL06P-LA-K |

DIMENSIONS



Weight: 2 lbs.

ORDERING INFORMATION

Example: DL9-11L-KFS-WH

| Series | Nominal Lumen Output | Color Temperature | | Housing Color | |
|--------|----------------------|-------------------|---|---------------|-----------------------------------|
| | | KFS* | | | |
| DL9 | 11L = 1,100 lm | | 2700k 3000k 3500k 4000k 5000k | WH N BZ | White Brushed Nickel Bronze |

* Field-selectable

11" & 14" Ceiling Luminaires - Round

STANDARD



FEATURES

- Available in 3000k (warm white) and 4000k (neutral white) color temperatures.*
- Long-life LEDs provide up to 163,000 hours of operation with at least 70% of initial lumen output (L₇₀).**
- LEDRA provides a range of 1,300 to 1,600 nominal lumens and 80 to 87 lumens per watt (lm/W).*
- 120 AC voltage (60Hz) is standard.
- Triac dimming drivers are standard.
- Steel housing and PMMA lens.
- Power factor ≥ 0.90.
- Total harmonic distortion ≤ 20%.
- Color rendering index ≥ 80.
- Easy installation in new construction or retrofit.

* Contact factory for other color temperatures and lumen packages.
 ** L₇₀ hours are IES TM-21-11 calculated hours.

ORDERING INFORMATION

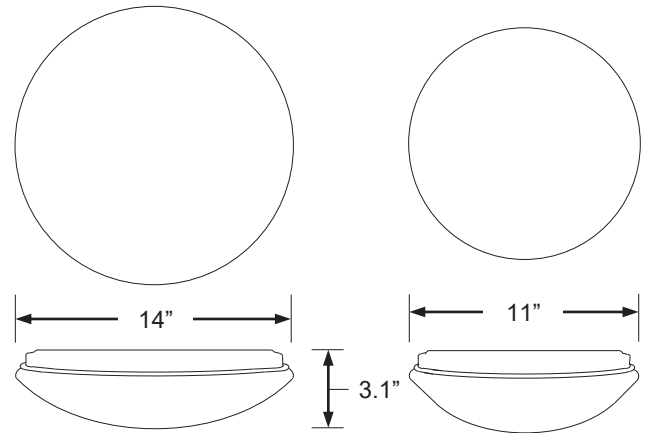
Example: LEDRA11-3K



WARRANTY & LISTINGS

- cETLus listed for damp locations in ambient temperatures from -20°C to 25°C (-4°F to 77°F).
- Energy Star qualified.
- Complies with FCC Part 15, Class B.
- Complies with EN61000-4-5, surge immunity protection (0.5kV).
- RoHS compliant.
- 5-year warranty of all electronics and housing.

DIMENSIONS



| Model | Diameter | Height | Weight |
|---------|----------|--------|----------|
| LEDRA11 | 11.0" | 3.1" | 1.3 lbs. |
| LEDRA14 | 14.0" | 3.1" | 1.9 lbs. |

| Model | Color Temperature | |
|---------|-------------------|-------|
| | LEDRA11 | 3K |
| LEDRA14 | 4K | 4,000 |

ELECTRICAL DATA

| Model | Color Temperature | CRI ¹ | Luminaire Lumens | Luminaire Watts | Lumens Per Watt | Input Voltage | Input Current (A) | | | Power Factor | THD ² | L ₇₀ Hours ³ |
|------------|-------------------|------------------|------------------|-----------------|-----------------|---------------|-------------------|------|------|--------------|------------------|------------------------------------|
| | | | | | | | 120V | 240V | 277V | | | |
| LEDRA11-3K | 3000k | > 80 | 1,300 | 15 | 87 | 120 (60Hz) | 0.13 | N/A | N/A | > 90% | < 20% | 163,000 |
| LEDRA11-4K | 4000k | > 80 | 1,300 | 15 | 87 | 120 (60Hz) | 0.13 | N/A | N/A | > 90% | < 20% | 163,000 |
| LEDRA14-3K | 3000k | > 80 | 1,600 | 20 | 80 | 120 (60Hz) | 0.17 | N/A | N/A | > 90% | < 20% | 156,000 |
| LEDRA14-4K | 4000k | > 80 | 1,600 | 20 | 80 | 120 (60Hz) | 0.17 | N/A | N/A | > 90% | < 20% | 156,000 |

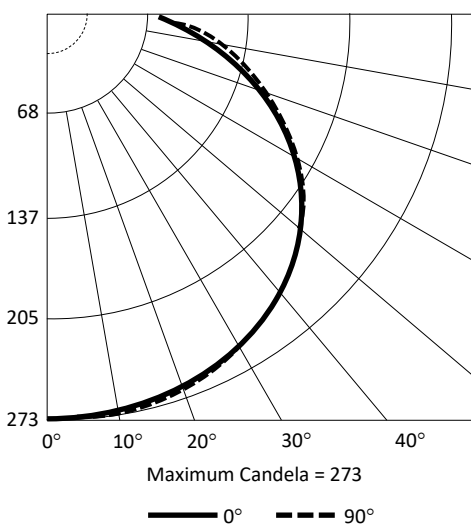
¹ Color rendering index

² Total harmonic distortion

³ L₇₀ refers to the number of hours at which lumen output declines to 70% of the initial level. L₇₀ hours are IES TM-21-11 calculated hours.

PHOTOMETRIC DATA

LED11-3K (1,300 Lumens)



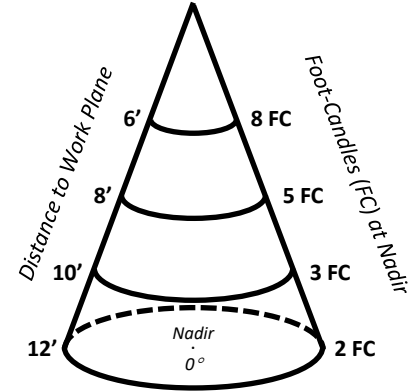
Candlepower Summary

| | 0° | 90° |
|-----|-----|-----|
| 0° | 273 | 273 |
| 10° | 271 | 273 |
| 20° | 266 | 268 |
| 30° | 256 | 257 |
| 40° | 241 | 243 |
| 50° | 220 | 222 |
| 60° | 192 | 195 |
| 70° | 156 | 158 |
| 80° | 113 | 117 |
| 90° | 77 | 78 |

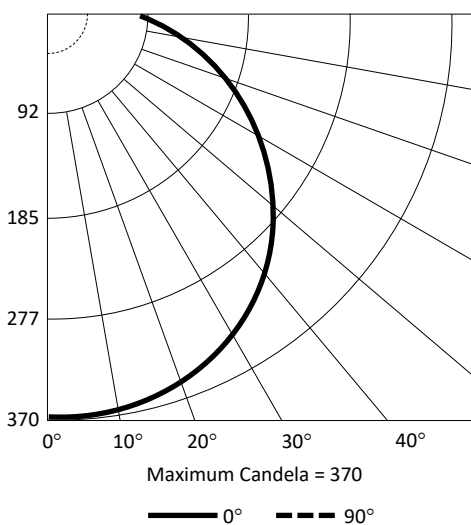
Zonal Lumen Summary

| Zone | Lumens | % Fixture |
|------------|--------|-----------|
| 0° - 10° | 24 | 1.9% |
| 0° - 20° | 96 | 7.3% |
| 0° - 30° | 209 | 16.0% |
| 0° - 40° | 355 | 27.3% |
| 0° - 50° | 522 | 40.1% |
| 0° - 60° | 696 | 53.5% |
| 0° - 70° | 859 | 66.1% |
| 0° - 80° | 994 | 76.5% |
| 0° - 90° | 1,092 | 84.0% |
| 90° - 180° | 208 | 16.0% |
| 0° - 180° | 1,300 | 100.0% |

Cone of Light



LED14-3K (1,600 Lumens)



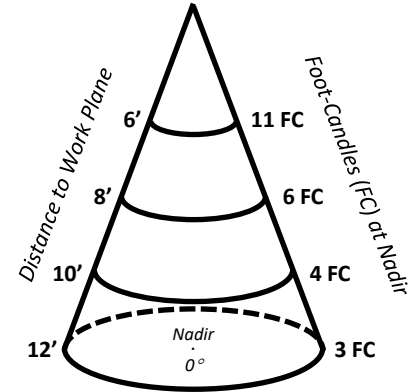
Candlepower Summary

| | 0° | 90° |
|-----|-----|-----|
| 0° | 369 | 369 |
| 10° | 367 | 368 |
| 20° | 355 | 357 |
| 30° | 335 | 338 |
| 40° | 308 | 309 |
| 50° | 273 | 273 |
| 60° | 230 | 228 |
| 70° | 180 | 176 |
| 80° | 123 | 121 |
| 90° | 75 | 74 |

Zonal Lumen Summary

| Zone | Lumens | % Fixture |
|------------|--------|-----------|
| 0° - 10° | 34 | 2.1% |
| 0° - 20° | 133 | 8.3% |
| 0° - 30° | 289 | 18.0% |
| 0° - 40° | 485 | 30.3% |
| 0° - 50° | 703 | 43.9% |
| 0° - 60° | 921 | 57.6% |
| 0° - 70° | 1,117 | 69.8% |
| 0° - 80° | 1,271 | 79.4% |
| 0° - 90° | 1,374 | 85.8% |
| 90° - 180° | 226 | 14.2% |
| 0° - 180° | 1,600 | 100.0% |

Cone of Light



6" DISK - KFS

STANDARD



FEATURES

- Field selectable 2700k (soft white), 3000k (warm white), 3500k (warm/neutral white), 4000k (neutral white), and 5000k (cool white) color temperatures.*
- Long-life LEDs provide at least 70% of initial lumen output (L_{70}) for 119,000 hours of operation.**
- Color rendering index (R_a) > 80.
- 1,000 nominal lumens.
- 15 nominal watts.
- 120 AC voltage (60Hz) is standard.
- Power factor > 0.90.
- Triac dimming.
- Steel housing.
- Easy installation in new construction or retrofit applications.
- Covered ceiling mount only.

* Contact factory for other color temperatures and lumen packages.

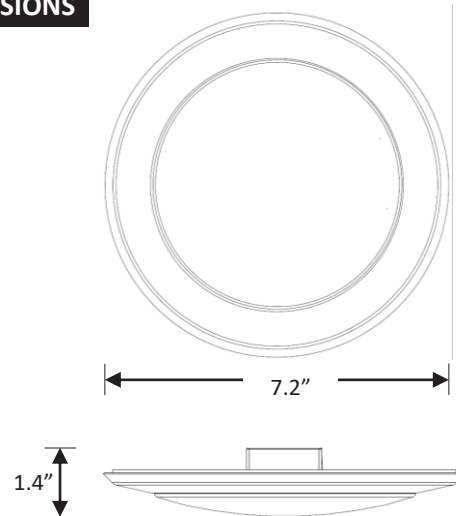
** L_{70} hours are IES TM-21-11 calculated hours.



WARRANTY & LISTINGS

- cETLus listed for wet locations.
- Energy Star certified.
- Compatible for new construction and retrofit applications.
- Complies with FCC Part 15, class B.
- Complies with EN61000-4-5 surge protection (0.5kV).
- 5-year warranty of all electronics and housing.

DIMENSIONS



Weight: 0.5 lbs.

ORDERING INFORMATION

Example: DK6-10L-KFS

| Series | Color Temperature |
|-------------|-------------------|
| DK6-10L-KFS | Selectable CCT |
| | 2700k |
| | 3000k |
| | 3500k |
| | 4000k |
| | 5000k |

6" FLAT PANEL - KFS

STANDARD



FEATURES

- Field selectable 2700k (soft white), 3000k (warm white), 3500k (warm/neutral white), 4000k (neutral white), and 5000k (cool white) color temperatures.*
- Long-life LEDs provide at least 70% of initial lumen output (L_{70}) for 173,000 hours of operation.**
- Color rendering index (R_a) > 90.
- 1,000 nominal lumens.
- 15 nominal watts.
- 120 AC voltage (60Hz) is standard.
- Power factor > 0.90.
- Total harmonic distortion < 20%.
- Triac dimming.
- Aluminum housing.
- Easy installation in new construction or retrofit applications.
- Compatible with 6.30" ceiling cut-outs.
- Type IC. Access above ceiling required. Covered ceiling mount only.

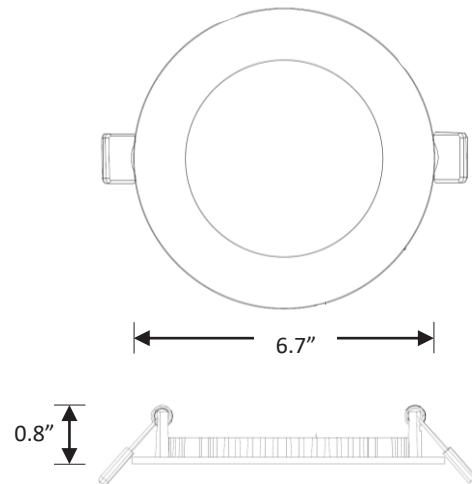
* Contact factory for other color temperatures and lumen packages.
 ** L_{70} hours are IES TM-21-11 calculated hours.



WARRANTY & LISTINGS

- cETLus listed for wet locations not exceeding 45°C (113°F).
- Energy Star certified.
- Compatible for new construction and retrofit applications.
- Complies with FCC Part 15, class B.
- Complies with EN61000-4-5 surge protection (0.5kV).
- 5-year warranty of all electronics and housing.

DIMENSIONS



Weight: 0.5 lbs.

ORDERING INFORMATION

Example: FPR6-10L-KFS

| Series | Color Temperature |
|--------------|-------------------|
| FPR6-10L-KFS | Selectable CCT |
| | 2700k |
| | 3000k |
| | 3500k |
| | 4000k |
| | 5000k |

LED Flat Downlight-Round

STANDARD



FEATURES

- Available in 3000k (warm white), 4000k (neutral white), and 5000k (cool white) color temperatures.
- Long-life LEDs provide at least 70% of initial lumen output (L_{70}) for 50,000 hours of operation.**
- LED-FRP-WH4 provides 500 nominal lumens and LED-FRP-WH6 provides 800 nominal lumens.
- LED-FRP-WH4 = 10 nominal watts and LED-FRP-WH6 = 15 nominal watts.
- Color rendering index (R_a) > 90.
- 120V (50-60Hz) is standard.
- Power factor ≥ 0.90 .
- Total harmonic distortion < 20%.
- Dimmable down to 10% with most line voltage dimmers (120V only).
- Painted steel housing.
- Easy installation in new construction or remodel applications. Equipped with torsion springs.
- For use with insulated ceilings (Type IC).
- Compatible with 4.38"-6.5" ceiling cut-outs.
- This device is not intended for use with emergency exits.

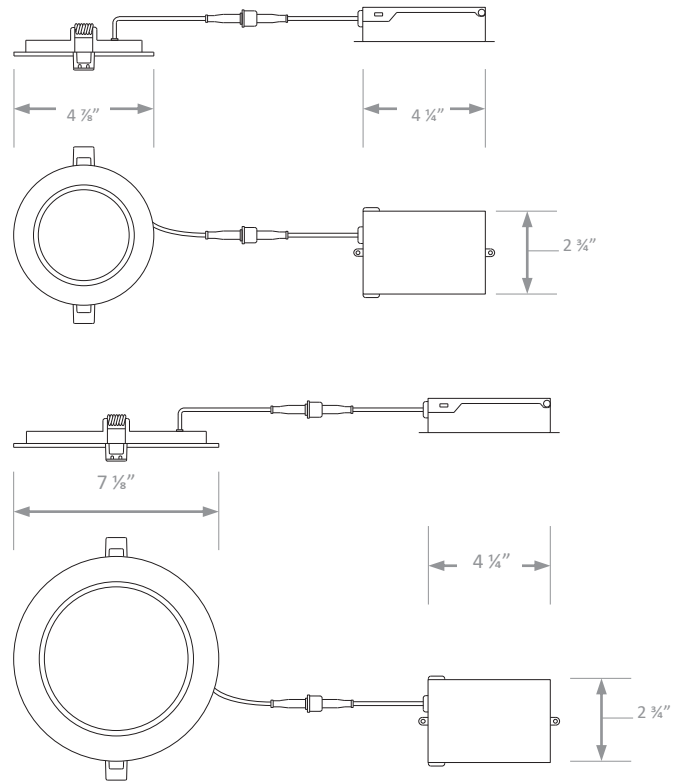
WARRANTY & LISTINGS

- cULus listed for wet locations.
- Energy Star qualified.
- Complies with FCC Part 15, class A.
- Complies with RoHS (Restriction on Hazardous Substances) requirements.
- 5-year warranty of all electronics and housing.

* Contact factory for other color temperatures and lumen packages.
 ** L_{70} hours are IES TM-21-11 calculated hours.



DIMENSIONS



See next page for housings.

ORDERING INFORMATION

Example: LED-FRP-WH6-5K

| Series | Size | | Color Temperature | | Accessories (Order Separately) | |
|---------|-------|-------|-------------------|-------|--------------------------------|---------------------------|
| | Model | Depth | Code | Value | Part Number | Description |
| LED-FRP | WH4 | 4" | 3K | 3000K | BL4FRP-MP | 4" mounting plate - round |
| | WH6 | 6" | 4K | 4000K | BL6FRP-MP | 6" mounting plate - round |
| | | | 5K | 5000K | | |

LED Flat Downlight-Square

STANDARD



FEATURES

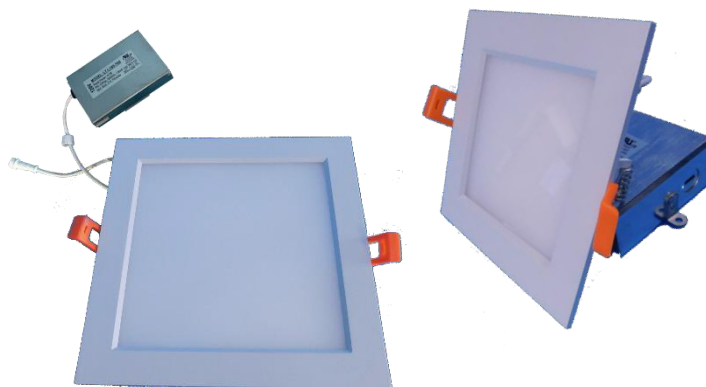
- Available in 3000k (warm white), 4000k (neutral white), and 5000k (cool white) color temperatures.
- Long-life LEDs provide at least 70% of initial lumen output (L_{70}) for 50,000 hours of operation.**
- LED-FSP-WH4 provides 530 nominal lumens and LED-FSP-WH6 provides 1,030 nominal lumens.
- LED-FSP-WH4 = 11 nominal watts and LED-FSP-WH6 = 16 nominal watts.
- Color rendering index (R_a) > 90.
- 120V (50-60Hz) is standard.
- Power factor ≥ 0.90 .
- Total harmonic distortion < 20%.
- Dimmable down to 10% with most line voltage dimmers (120V only).
- Painted steel housing.
- Easy installation in new construction or remodel applications. Equipped with torsion springs.
- For use with insulated ceilings (Type IC).
- Compatible with 4.38"-6.62" square ceiling cut-outs.
- This device is not intended for use with emergency exits.

WARRANTY & LISTINGS

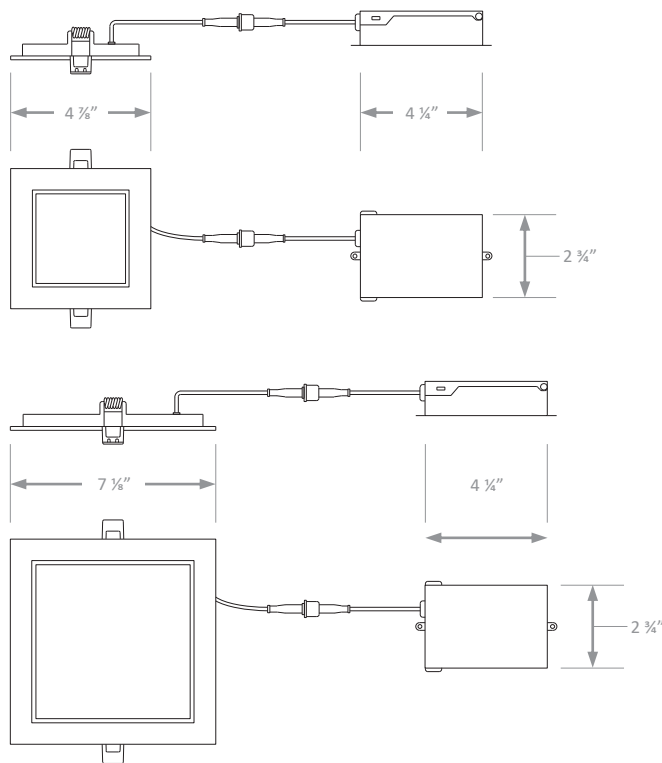
- cULus listed for wet locations.
- Energy Star qualified.
- Complies with FCC Part 15, class A.
- Complies with RoHS (Restriction on Hazardous Substances) requirements.
- 5-year warranty of all electronics and housing.

* Contact factory for other color temperatures and lumen packages.

** L_{70} hours are IES TM-21-11 calculated hours.



DIMENSIONS



See next page for housings.

ORDERING INFORMATION

Example: LED-FSP-WH6-5K

| Series | Size | | Color Temperature | | Accessories (Order Separately) | |
|---------|-------|------|-------------------|-------|--------------------------------|----------------------------|
| | Model | Size | Code | Temp | Part No. | Description |
| LED-FSP | WH4 | 4" | 3K | 3000K | BL4FSP-MP | 4" mounting plate - square |
| | WH6 | 6" | 4K | 4000K | BL6FSP-MP | 6" mounting plate - square |
| | | | 5K | 5000K | | |

CANS

TRIMS



FEATURES

- Easy installation in new construction or retrofit applications.
- For use with insulated and non-insulated ceilings.
- BLED2ICN requires access above ceiling.
- Galvanized steel construction.
- Integral T-bar installation slots on new construction models.
- Remodel cans come standard with (2) clips to secure can to ceiling.
- Bar hangers for use with new construction models are adjustable from 13.6" to 25".
- Pre-installed nail allows for easy install.
- Input voltage = 120V
- Wattage = 9W
- Dimmable with most line voltage dimmers.

FEATURES

- Available in 3000k (warm white), 3500k (warm/neutral white), and 4000k (neutral white) color temperatures.*
- Long-life LEDs provide at least 70% of initial lumen output (L₇₀) for 50,000 hours of operation.**
- Provides 600 nominal lumens.
- Color rendering index (R_a) > 90.

* Contact factory for other color temperatures and lumen packages.
 ** L₇₀ hours are IES TM-21-11 calculated hours.

STANDARD

WARRANTY & LISTINGS

- cULus listed for damp and wet locations.
- Energy Star qualified.
- Operating temperatures = -30°C to 40°C.
- Title 24 compliant.



- Complies with RoHS (Restriction on Hazardous Substances) requirements.
- Certified under ASTM-E283 for airtight construction (new construction models only).
- 5-year warranty of all electronics and housing.

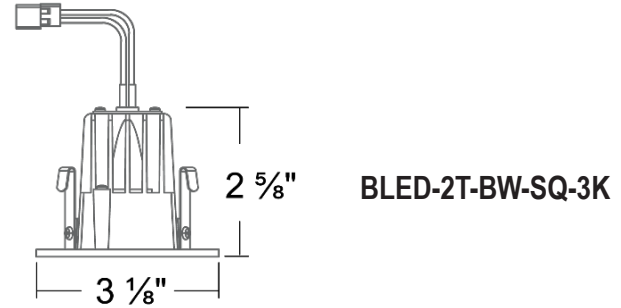
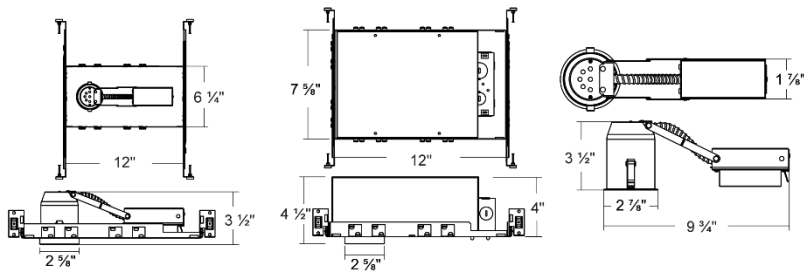
ORDERING INFORMATION - CANS

| MODEL | DESCRIPTION |
|----------------|--|
| BLED2N-AT-QN | 2" NON IC LED NEW CONSTRUCTION CAN WITH DRIVER |
| BLED2ICN-AT-QN | 2" IC AT LED NEW CONSTRUCTION CAN WITH DRIVER |
| BLED2ICR-Q | 2" NON-IC LED REMODEL CAN WITH DRIVER |

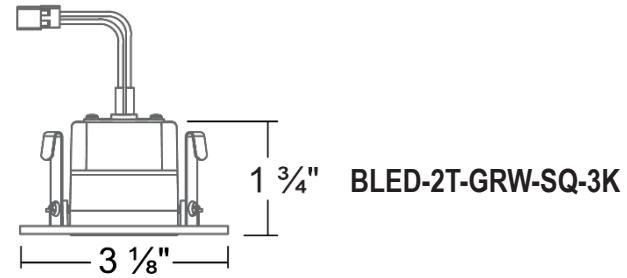
ORDERING INFORMATION - TRIMS

| MODEL | DESCRIPTION |
|-------------------|------------------------------|
| BLED-2T-BW-3K | BAFFLE - WHITE, 3000K |
| BLED-2T-BW-35K | BAFFLE - WHITE, 3500K |
| BLED-2T-BW-4K | BAFFLE - WHITE, 4000K |
| BLED-2T-BW-SQ-3K | SQUARE BAFFLE - WHITE, 3000K |
| BLED-2T-BW-SQ-4K | SQUARE BAFFLE - WHITE, 4000K |
| BLED-2T-GRW-SQ-3K | SQUARE GIMBAL - WHITE, 3000K |
| BLED-2T-GRW-SQ-4K | SQUARE GIMBAL - WHITE, 4000K |

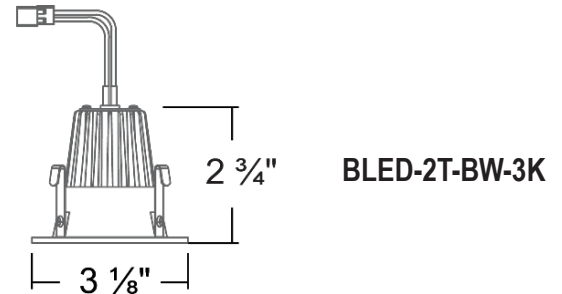
DIMENSIONS



BLED-2T-BW-SQ-3K



BLED-2T-GRW-SQ-3K



BLED-2T-BW-3K

4" MODULE - KFS

STANDARD



FEATURES

- Field selectable 2700k (soft white), 3000k (warm white), 3500k (warm/neutral white), 4000k (neutral white), and 5000k (cool white) color temperatures.*
- Long-life LEDs provide at least 70% of initial lumen output (L_{70}) for 119,000 hours of operation.**
- Color rendering index (R_a) > 90.
- 700 nominal lumens.
- 10 nominal watts.
- 120 AC voltage (60Hz) is standard.
- Power factor > 0.90.
- Triac dimming.
- Aluminum housing.
- Easy installation in new construction or retrofit applications.
- Type IC.
- This device is not intended for use with emergency exits.

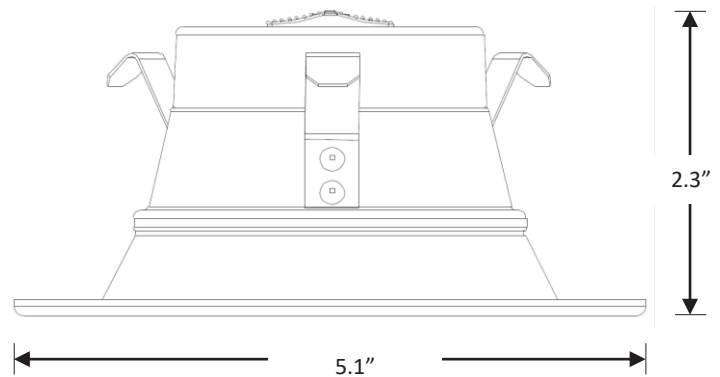
* Contact factory for other color temperatures and lumen packages.
 ** L_{70} hours are IES TM-21-11 calculated hours.



WARRANTY & LISTINGS

- cETLus listed for damp locations.
- Energy Star certified.
- Compatible for new construction and retrofit applications.
- Complies with FCC Part 15, class B.
- Complies with EN61000-4-5 surge protection (0.5kV).
- 5-year warranty of all electronics and housing.

DIMENSIONS



Weight: 0.19 lbs.

ORDERING INFORMATION

Example: MODR4-7L-KFS

| Series | Color Temperature |
|--------------|-------------------|
| MODR4-7L-KFS | Selectable CCT |
| | 2700k |
| | 3000k |
| | 3500k |
| | 4000k |
| | 5000k |

6" MODULE - KFS

STANDARD



FEATURES

- Field selectable 2700k (soft white), 3000k (warm white), 3500k (warm/neutral white), 4000k (neutral white), and 5000k (cool white) color temperatures.*
- Long-life LEDs provide at least 70% of initial lumen output (L_{70}) for 119,000 hours of operation.**
- Color rendering index (R_a) > 90.
- 1,000 nominal lumens.
- 14 nominal watts.
- 120 AC voltage (60Hz) is standard.
- Power factor > 0.90.
- Triac dimming.
- Aluminum housing.
- Easy installation in new construction or retrofit applications.
- Type IC.
- This device is not intended for use with emergency exits.

* Contact factory for other color temperatures and lumen packages.
 ** L_{70} hours are IES TM-21-11 calculated hours.

ORDERING INFORMATION

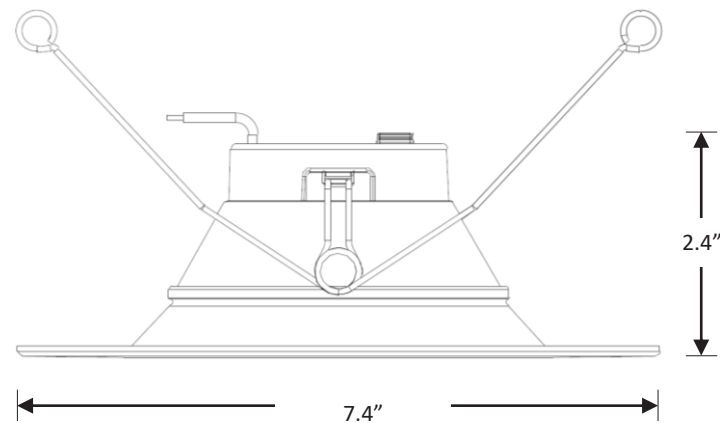
Example: MODR6-10L-KFS



WARRANTY & LISTINGS

- cETLus listed for damp locations.
- Energy Star certified.
- Compatible for new construction and retrofit applications.
- Complies with FCC Part 15, class B.
- Complies with EN61000-4-5 surge protection (0.5kV).
- 5-year warranty of all electronics and housing.

DIMENSIONS



Weight: 0.33 lbs.

| Series | Color Temperature |
|---------------|-------------------|
| MODR6-10L-KFS | Selectable CCT |
| | 2700k |
| | 3000k |
| | 3500k |
| | 4000k |
| | 5000k |

4" FLAT PANEL - KFS

STANDARD



FEATURES

- Field selectable 2700k (soft white), 3000k (warm white), 3500k (warm/neutral white), 4000k (neutral white), and 5000k (cool white) color temperatures.*
- Long-life LEDs provide at least 70% of initial lumen output (L_{70}) for 181,000 hours of operation.**
- Color rendering index (R_a) > 90.
- 600 nominal lumens.
- 7 nominal watts.
- 120 AC voltage (60Hz) is standard.
- Power factor > 0.90.
- Total harmonic distortion < 20%.
- Triac dimming.
- Aluminum housing.
- Easy installation in new construction or retrofit applications.
- Compatible with 4.30" ceiling cut-outs.
- Type IC. Access above ceiling required. Covered ceiling mount only.
- This device is not intended for use with emergency exits.

* Contact factory for other color temperatures and lumen packages.

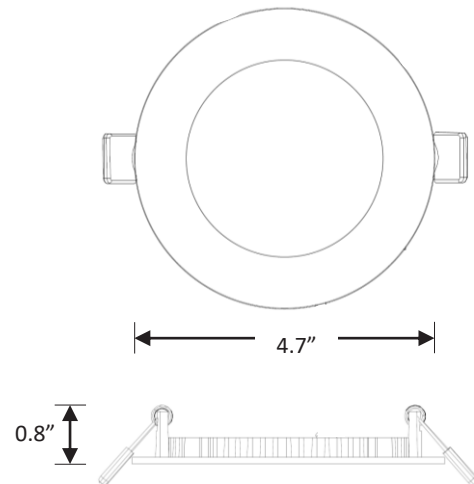
** L_{70} hours are IES TM-21-11 calculated hours.



WARRANTY & LISTINGS

- cETLus listed for wet locations not exceeding 45°C (113°F).
- Energy Star certified.
- Compatible for new construction and retrofit applications.
- Complies with FCC Part 15, class B.
- Complies with EN61000-4-5 surge protection (0.5kV).
- 5-year warranty of all electronics and housing.

DIMENSIONS



Weight: 0.25 lbs.

ORDERING INFORMATION

Example: FPR4-6L-KFS

| Series | Color Temperature |
|-------------|-------------------|
| FPR4-6L-KFS | Selectable CCT |
| | 2700k |
| | 3000k |
| | 3500k |
| | 4000k |
| | 5000k |

3.5" LED Dedicated Cans

STANDARD

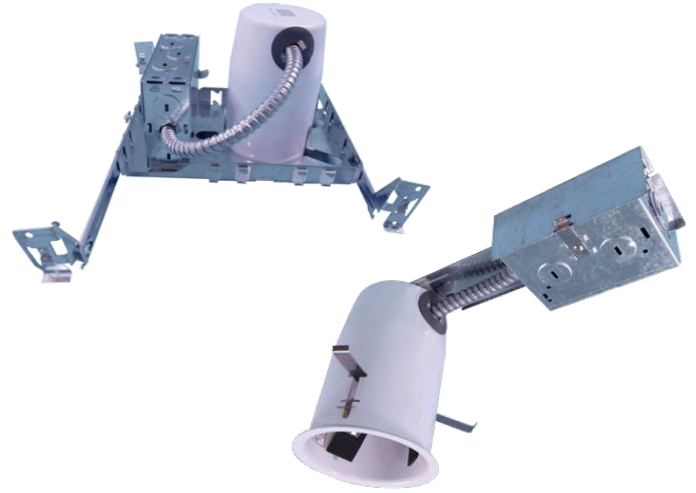


FEATURES

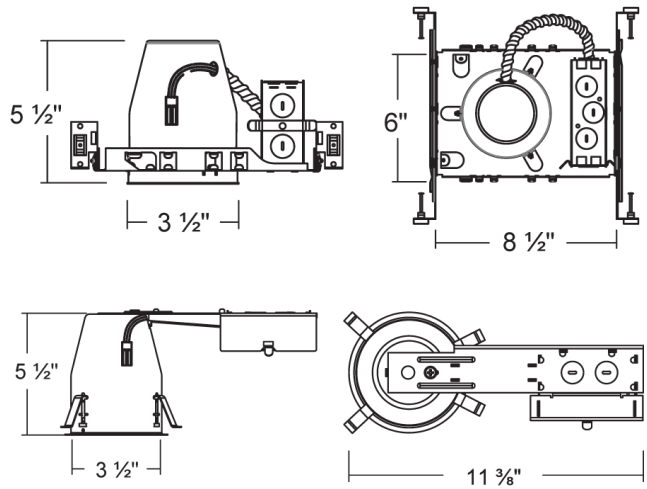
- Dedicated housings for most 3.5" LED trims (compatible with BRK-LED350).
- Suitable for new construction and remodel applications.
- Galvanized steel construction.
- Features seven 1/2" NPT knockouts.
- Removable new construction housing for easy access to j-box.
- 2-pin quick connector.
- Bar hangers for use with new construction models are adjustable from 13.6" to 25".
- Remodel cans come standard with torsion clips (4) to secure to ceiling. Accommodates 0.5" and 0.6" ceilings.
- Pre-installed nail on new model cans allow for easy install.
- Easy installation in new construction or retrofit applications. Remodel equipped with torsion springs.
- This device is not intended for use with emergency exits.

WARRANTY & LISTINGS

- cULus listed for damp locations.
- Title 24 compliant.
- Certified under ASTM-E283 for air-tight construction.
- 5-year warranty of all electronics and housing.



DIMENSIONS



ORDERING INFORMATION

| MODEL | DESCRIPTION |
|--------------------|---|
| BL350ICATLEDNND-QN | 3.5" DEDICATED LED IC HOUSING FOR NEW CONSTRUCTION APPLICATIONS |
| BL350ICATLEDRND-Q | 3.5" DEDICATED LED IC HOUSING FOR REMODEL APPLICATIONS |

4" LED Dedicated Cans

STANDARD

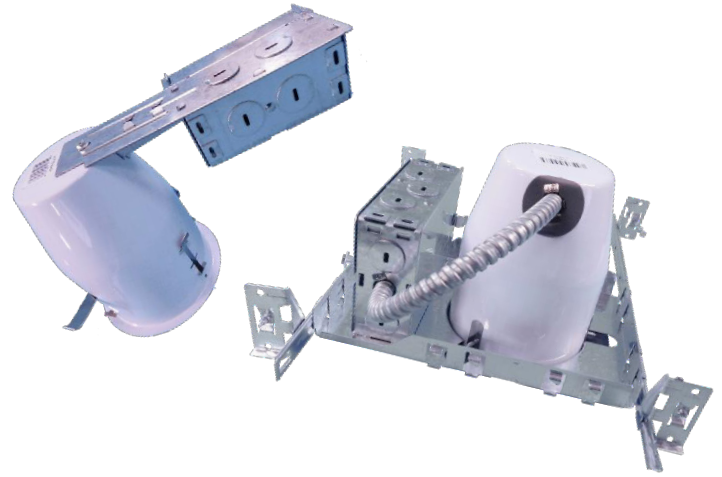


FEATURES

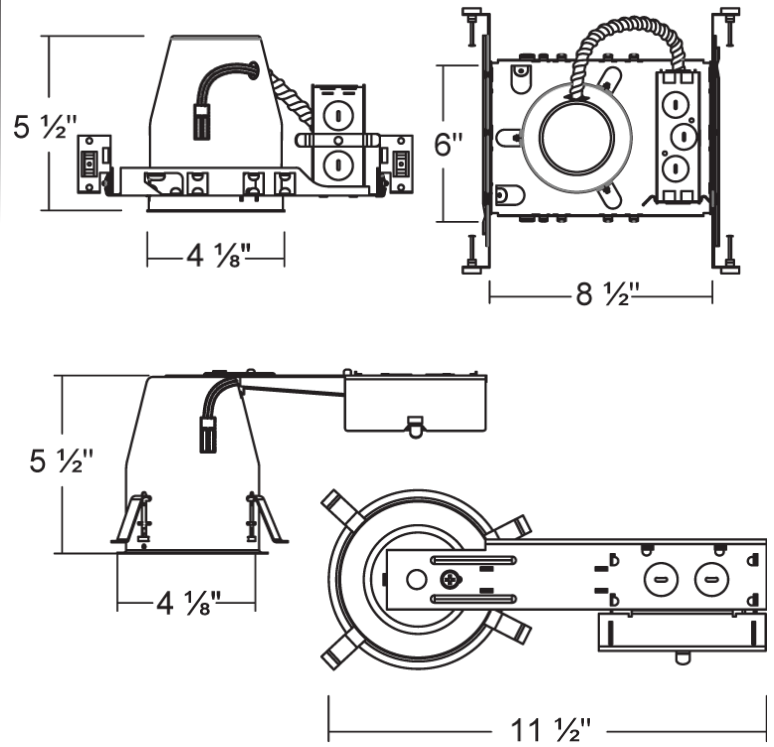
- Dedicated housings for most 4" LED trims (compatible with BRK-LED4-BW, BRK-LED4-BW-V2, and BRK-LED4-GR series).
- Suitable for new construction or remodel applications.
- Galvanized steel construction.
- New construction model comes standard with nail for easy install.
- Bar hangers for use with new construction models are adjustable from 13.6" to 25".
- Remodel cans install into existing material with no above ceiling access required.
- Through branch wiring with maximum 6 No. AWG conductors.
- Remodel cans come standard with four torsion clips to secure housing – accommodates 0.5" and 0.6" ceilings.
- Features seven ½" NPT knockouts.
- 2-pin quick connector.
- This device is not intended for use with emergency exits.

WARRANTY & LISTINGS

- cULus listed for damp locations.
- cULus listed for through-branch wiring.
- Title 24 compliant.
- Certified under ASTM-E283 for air-tight construction.
- 5-year warranty of all electronics and housing.



DIMENSIONS



ORDERING INFORMATION

| MODEL | DESCRIPTION |
|--------------|--|
| BL4ICLED-NND | 4" IC LED DEDICATED CAN FOR NEW CONSTRUCTION |
| BL4ICLED-RND | 4" IC LED DEDICATED CAN FOR REMODEL APPLICATIONS |

FRAMES



FEATURES

- Flat bar hangers available for ceiling grid mounting (order separately).
- Junction box is mounted on frame for easy wiring and driver access.
- Integral heat sink for heat disbursement.
- Tapered aluminum reflector with frosted lens.
- Input voltage = 120-277V (50-60Hz).
- Wattage = 21W (3000k) or 28W (4000k)
- 0-10V dimming.

TRIMS



FEATURES

- Available in 3000k (warm white) and 4000k (neutral white) color temperatures.*
- Long-life LEDs provide at least 70% of initial lumen output (L_{70}) for 50,000 hours of operation.**
- Provides up to 1,940 nominal lumens.
- Color rendering index (R_a) > 80.

* Contact factory for other color temperatures and lumen packages.
 ** L_{70} hours are IES TM-21-11 calculated hours.

WARRANTY & LISTINGS

- cULus listed for damp and wet locations.
- Energy Star qualified.
- Title 24 compliant.
- Complies with RoHS (Restriction on Hazardous Substances) requirements.
- 5-year warranty of all electronics and housing.

STANDARD



ORDERING INFORMATION - Frames

| MODEL | DESCRIPTION |
|-------------|--|
| BL4CLED-21A | 4" FRAME, 21 WATTS, FOR USE WITH BL4TCLD-21HZ-3K |
| BL4CLED-28A | 4" FRAME, 28 WATTS, FOR USE WITH BL4TCLD-28HZ-3K |

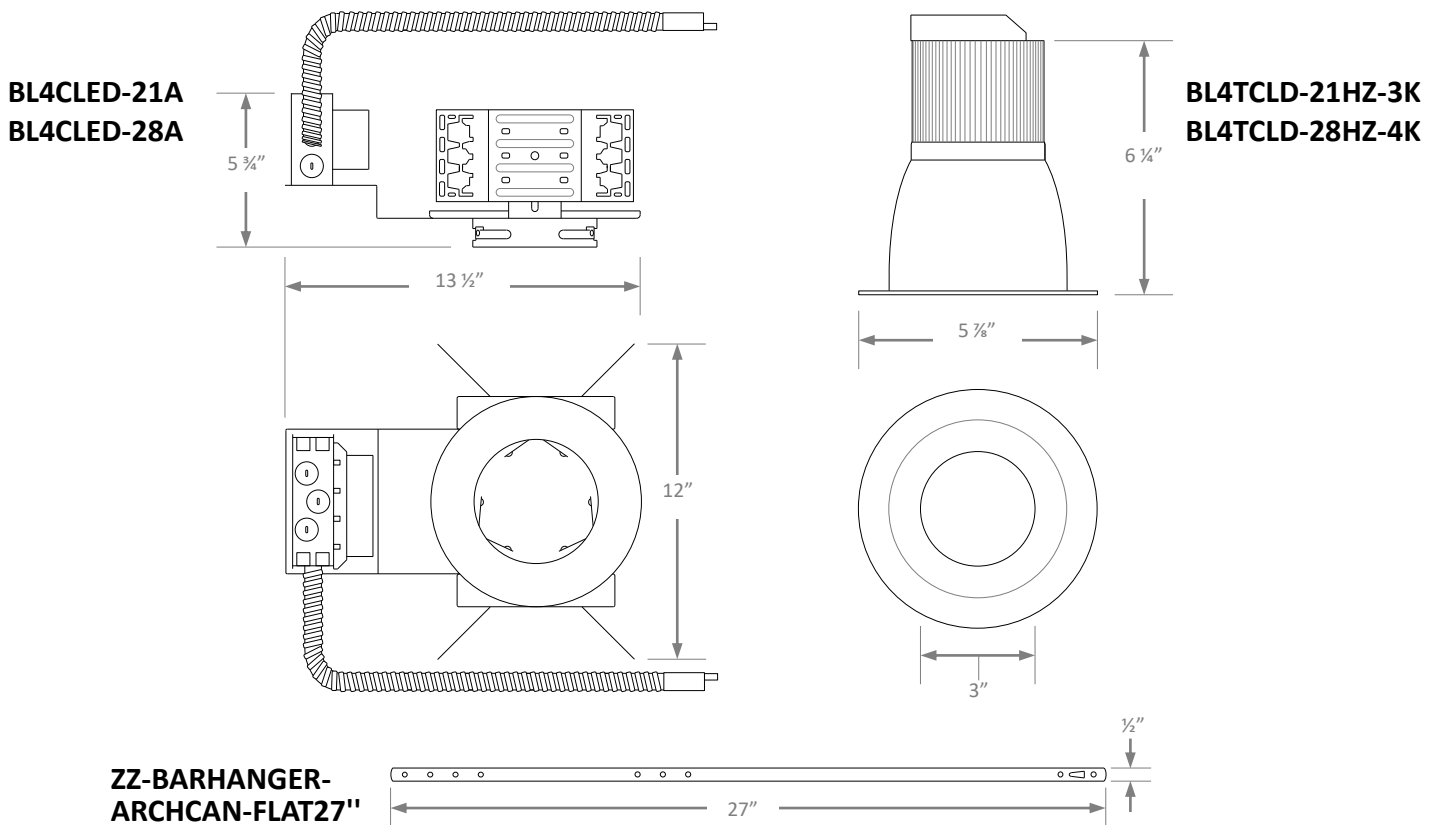
ORDERING INFORMATION - TRIMS

| MODEL | DESCRIPTION |
|-----------------|--|
| BL4TCLD-21HZ-3K | 4" TRIM, 3000K, 1,590 LUMENS, FOR USE WITH BL4CLED-21A |
| BL4TCLD-28HZ-4K | 4" TRIM, 4000K, 1,940 LUMENS, FOR USE WITH BL4CLED-28A |

ACCESSORIES

| MOUNTING ACCESSORIES | |
|------------------------------|---|
| ZZ-BARHANGER-ARCHCAN-FLAT27" | FLAT BAR HANGER - 27", FOR ARCHITECTURAL CANS |

DIMENSIONS



FRAMES



FEATURES

- Flat bar hangers available for ceiling grid mounting (order separately).
- Junction box is mounted on frame for easy wiring and driver access.
- Integral heat sink for heat disbursement.
- Tapered aluminum reflector with frosted lens.
- Input voltage = 120-277V (50-60Hz).
- Wattage = 28W (3000k) or 48W (4000k)
- 0-10V dimming.

TRIMS



FEATURES

- Available in 3000k (warm white) and 4000k (neutral white) color temperatures.*
- Long-life LEDs provide at least 70% of initial lumen output (L_{70}) for 50,000 hours of operation.**
- Provides up to 3,770 nominal lumens.
- Color rendering index (R_a) > 80.

* Contact factory for other color temperatures and lumen packages.

** L_{70} hours are IES TM-21-11 calculated hours.

WARRANTY & LISTINGS

- cULus listed for damp and wet locations.
- Energy Star qualified.
- Title 24 compliant.

STANDARD



- Complies with RoHS (Restriction on Hazardous Substances) requirements.
- 5-year warranty of all electronics and housing.

ORDERING INFORMATION - Frames

| MODEL | DESCRIPTION |
|-------------|--|
| BL6CLED-28A | 6" FRAME, 28 WATTS, FOR USE WITH BL6TCLD-28HZ-3K |
| BL6CLED-48A | 6" FRAME, 48 WATTS, FOR USE WITH BL6TCLD-48HZ-4K |

ORDERING INFORMATION - TRIMS

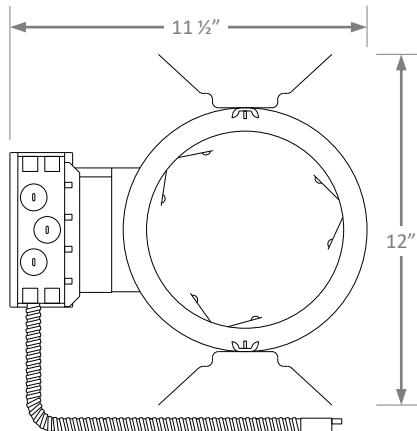
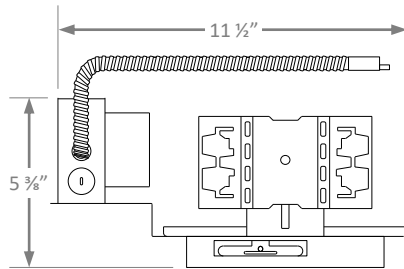
| MODEL | DESCRIPTION |
|-----------------|--|
| BL6TCLD-28HZ-3K | 6" TRIM, 3000K, 2,210 LUMENS, FOR USE WITH BL6CLED-28A |
| BL6TCLD-48HZ-4K | 6" TRIM, 4000K, 3,770 LUMENS, FOR USE WITH BL6CLED-48A |

ACCESSORIES

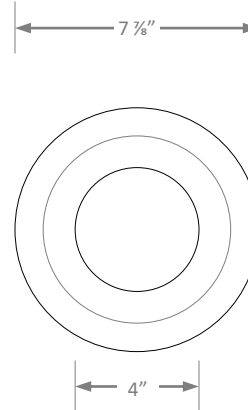
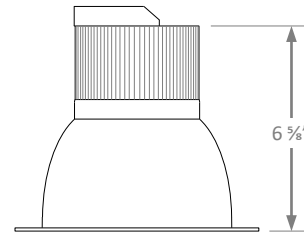
| MOUNTING ACCESSORIES | |
|------------------------------|---|
| ZZ-BARHANGER-ARCHCAN-FLAT27" | FLAT BAR HANGER - 27", FOR ARCHITECTURAL CANS |

DIMENSIONS

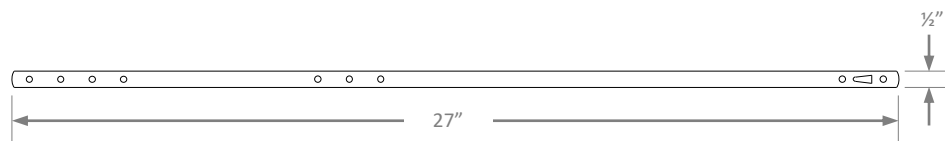
**BL6CLED-28A
BL6CLED-48A**



**BL6TCLD-28HZ-3K
BL6TCLD-48HZ-4K**



ZZ-BARHANGER-ARCHCAN-FLAT27"



6" LED Dedicated Cans

STANDARD



FEATURES

- Dedicated housings for 6" LED trims (BRK-LED56-BW, BRK-LED56-BW-V2, and BRK-LED56-GR series).
- Suitable for new construction or remodel applications.
- Galvanized steel construction.
- New construction model comes standard with nail for easy install.
- Bar hangers for use with new construction models are adjustable from 13.6" to 25" and can be positioned up to 90°.
- Remodel cans install into existing material with no above ceiling access required.
- Remodel cans come standard with four torsion clips to secure housing – accommodates 0.5" and 0.6" ceilings.
- Contains one 1.1" and six 0.9" knockouts and four romex pry-outs with strain relief.
- 2-pin snap-in connector for easy connection to LED trims.
- This device is not intended for use with emergency exits.

WARRANTY & LISTINGS

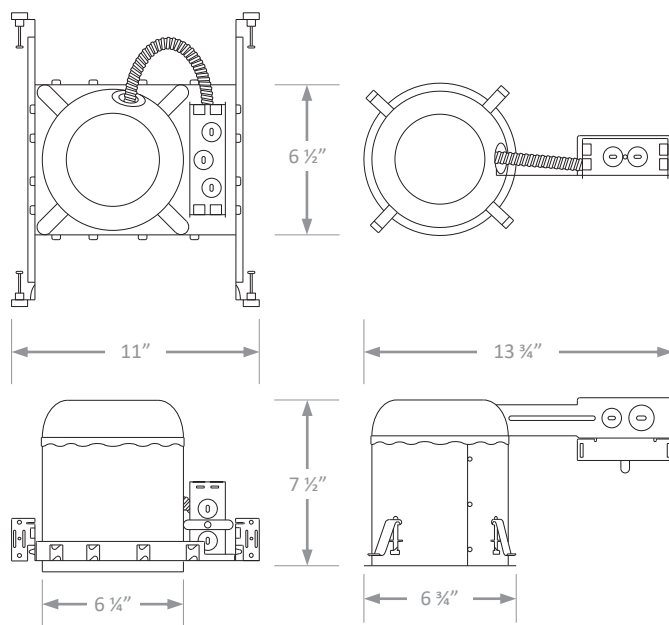
- cULus listed Type IC for damp locations.
- Listed for through-branch wiring.
- Title 24 compliant.
- Energy Star qualified.
- 5-year warranty of all electronics and housing.



BL9ICLED-NND

BL9ICLED-RND

DIMENSIONS



ORDERING INFORMATION

| MODEL | DESCRIPTION |
|--------------|--|
| BL9ICLED-NND | 6" IC LED DEDICATED CAN FOR NEW CONSTRUCTION |
| BL9ICLED-RND | 6" IC LED DEDICATED CAN FOR REMODEL APPLICATIONS |

6" Architectural Downlight - LKFS

STANDARD



FEATURES

- Field selectable 2700k (soft white), 3000k (warm white), 3500k (warm/neutral white), 4000k (neutral white), and 5000k (cool white) color temperatures.*
- Long-life LEDs provide at least 70% of initial lumen output (L_{70}) for 149,000 hours of operation.**
- Color rendering index (R_a) > 90.
- Field selectable lumen output – 1,000, 1,500, or 2,000 nominal lumens.
- Uses 10, 15, or 20 nominal watts.
- Universal 120-277 AC voltage (50-60Hz) is standard.
- Power factor > 0.90.
- Total harmonic distortion < 20%.
- 0-10VDC dimming is standard.
- Aluminum housing with white stepped baffle.
- Easy installation in new construction or retrofit applications.
- Compatible with 6.30" ceiling cut-outs and 6" mounting frames.
- Type IC. Access above ceiling required. Covered ceiling mount only.

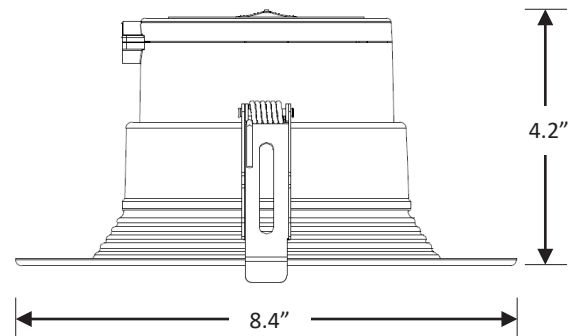
* Contact factory for other color temperatures and lumen packages.
 ** L_{70} hours are IES TM-21-11 calculated hours.



WARRANTY & LISTINGS

- cETLus listed for wet locations not exceeding 45°C (113°F).
- Energy Star certified.
- Compatible for new construction and retrofit applications.
- Complies with FCC Part 15, class B.
- Complies with EN61000-4-5 surge protection (1kV).
- 5-year warranty of all electronics and housing.

DIMENSIONS



Weight: 1.4 lbs.

ORDERING INFORMATION

Example: CDR6-2L-LKFS-WHT

| Series | Lumen Output/ Color Temperature | |
|------------------|------------------------------------|----------------|
| | Selectable Lumens | Selectable CCT |
| CDR6-2L-LKFS-WHT | 1,000 lm | 2700k |
| | 1,500 lm | 3000k |
| | 2,000 lm | 3500k |
| | | 4000k |
| | | 5000k |

FRAMES



FEATURES

- Flat bar hangers available for ceiling grid mounting (order separately).
- Junction box is mounted on frame for easy wiring and driver access.
- Integral heat sink for heat disbursement.
- Tapered aluminum reflector with frosted lens.
- Input voltage = 120-277V (50-60Hz).
- Wattage = 40W or 52W
- 0-10V dimming.

TRIMS



FEATURES

- Available in 4000k (neutral white) color temperatures.*
- Long-life LEDs provide at least 70% of initial lumen output (L₇₀) for 50,000 hours of operation.**
- Provides up to 4,530 nominal lumens.
- Color rendering index (R_a) > 80.

* Contact factory for other color temperatures and lumen packages.

** L₇₀ hours are IES TM-21-11 calculated hours.

WARRANTY & LISTINGS

- cULus listed for damp and wet locations.
- Energy Star qualified.
- Title 24 compliant.

STANDARD



- Complies with RoHS (Restriction on Hazardous Substances) requirements.
- 5-year warranty of all electronics and housing.

ORDERING INFORMATION - Frames

| MODEL | DESCRIPTION |
|-------------|--|
| BL8CLED-40A | 8" FRAME, 40 WATTS, FOR USE WITH BL8TCLD-40HZ-4K |
| BL8CLED-52A | 8" FRAME, 52 WATTS, FOR USE WITH BL8TCLD-52HZ-4K |

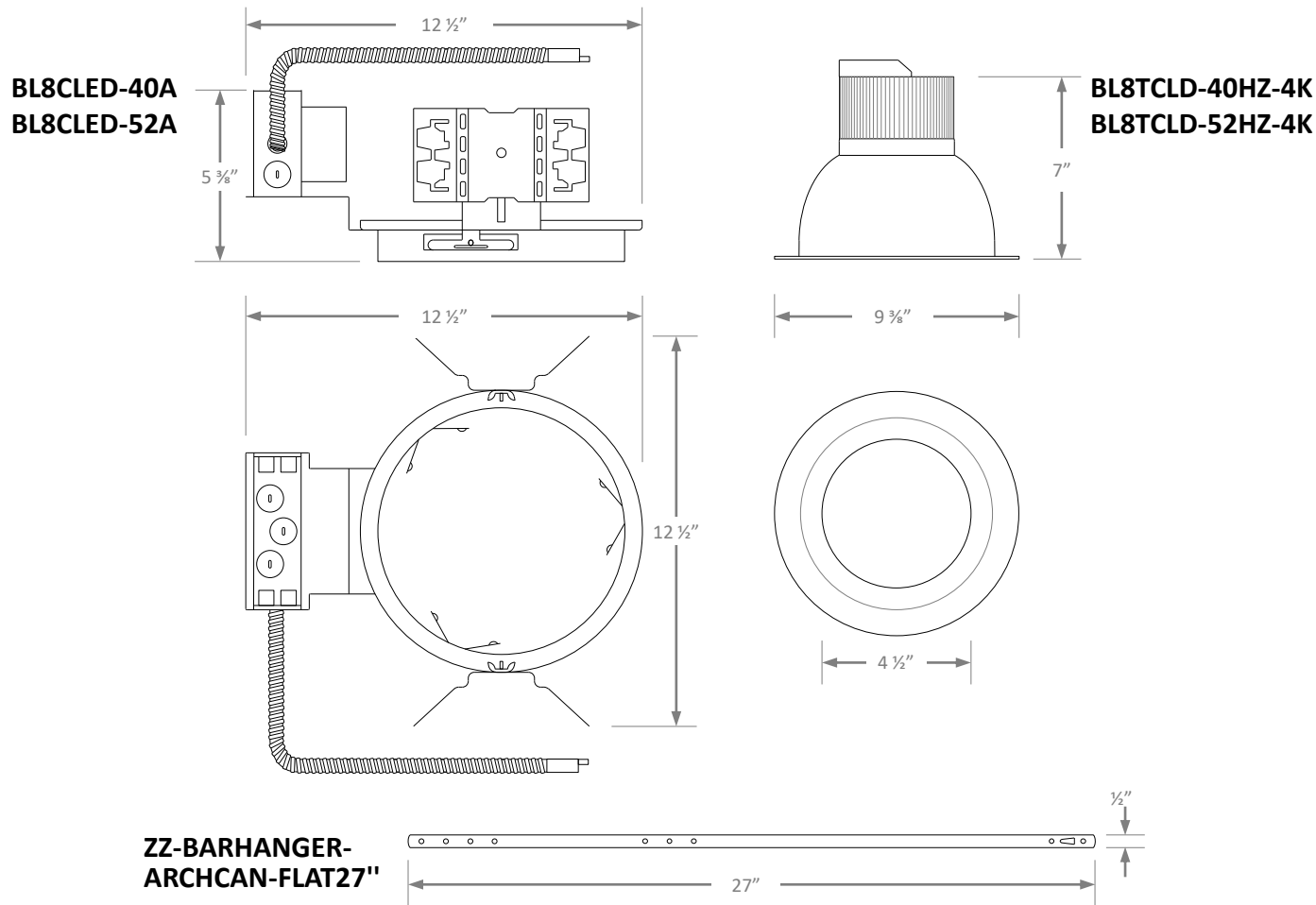
ORDERING INFORMATION - TRIMS

| MODEL | DESCRIPTION |
|-----------------|--|
| BL8TCLD-40HZ-4K | 8" TRIM, 4000K, 3,090 LUMENS, FOR USE WITH BL8CLED-40A |
| BL8TCLD-52HZ-4K | 8" TRIM, 4000K, 4,530 LUMENS, FOR USE WITH BL8CLED-52A |

ACCESSORIES

| MOUNTING ACCESSORIES | |
|------------------------------|---|
| ZZ-BARHANGER-ARCHCAN-FLAT27" | FLAT BAR HANGER - 27", FOR ARCHITECTURAL CANS |

DIMENSIONS



8" Architectural Downlight - LKFS

STANDARD



FEATURES

- Field selectable 2700k (soft white), 3000k (warm white), 3500k (warm/neutral white), 4000k (neutral white), and 5000k (cool white) color temperatures.*
- Long-life LEDs provide at least 70% of initial lumen output (L_{70}) for 149,000 hours of operation.**
- Color rendering index (R_a) > 90.
- Field selectable lumen output – 3,000, 4,000, or 5,000 nominal lumens.
- Uses 30, 40, or 50 nominal watts.
- Universal 120-277 AC voltage (50-60Hz) is standard.
- Power factor > 0.90.
- Total harmonic distortion < 20%.
- 0-10VDC dimming is standard.
- Aluminum housing with white stepped baffle.
- Easy installation in new construction or retrofit applications.
- Compatible with 8.10" ceiling cut-outs and 8" mounting frames.
- Type IC. Access above ceiling required. Covered ceiling mount only.

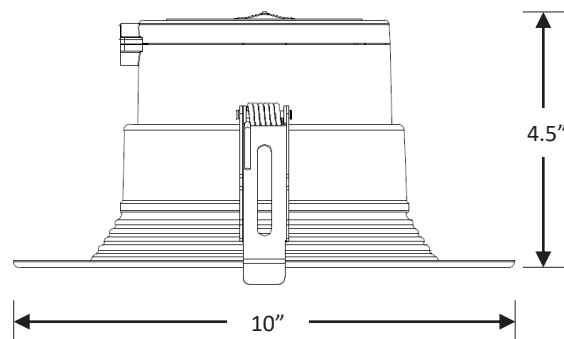
* Contact factory for other color temperatures and lumen packages.
 ** L_{70} hours are IES TM-21-11 calculated hours.



WARRANTY & LISTINGS

- cETLus listed for wet locations not exceeding 45°C (113°F).
- Energy Star certified.
- Compatible for new construction and retrofit applications.
- Complies with FCC Part 15, class B.
- Complies with EN61000-4-5 surge protection (1kV).
- 5-year warranty of all electronics and housing.

DIMENSIONS



Weight: 1.4 lbs.

ORDERING INFORMATION

Example: CDR8-5LKFS-WHT

| Series | Lumen Output/ Color Temperature | |
|----------------|------------------------------------|----------------|
| | Selectable Lumens | Selectable CCT |
| CDR8-5LKFS-WHT | 3,000 lm | 2700k |
| | 4,000 lm | 3000k |
| | 5,000 lm | 3500k |
| | | 4000k |
| | | 5000k |



Warranty

Americanlite® is pleased to provide a 5 year limited warranty covering the fixtures and lamps in this catalogue. Americanlite® warrants that the fixtures comply with Americanlite®'s published specifications and are free from defects in materials and workmanship.

All our equipment is CE, TUV, FCC or UL approved and manufactured with approved components. Americanlite® reserves the right to change or improve the design or components of any of its products due to parts availability or changes in standards, without assuming any obligation to modify any product previously manufactured and without notice. All equipment is tested and inspected before shipment.

This warranty is void if the product is operated outside of its normal operating conditions. The foregoing warranty does not apply to failures caused by acts of God or as a result of any abuse, misuse, abnormal use, or use in violation of any applicable standard, code or instructions for use in installations, including, but not limited to, those contained in the Standards for the International Electrotechnical Commission. Americanlite® reserves and has the right to examine failed ballast to determine the cause of failure, excessive lumen depreciation and patterns of usage.