



# INDOOR LIGHTING

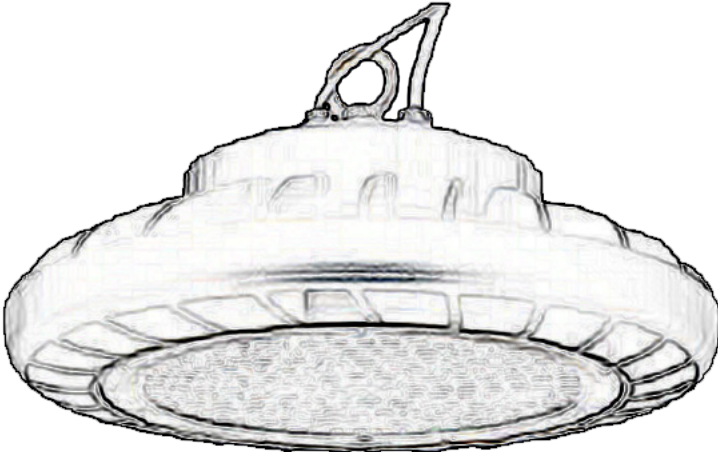
USA QuickShip program

americanlite®

We light your world™



# Industrial



## High Bay Round Sensor Ready Lumen & Kelvin Selectable

### STANDARD



### HOUSING

- Die cast aluminum housing (painted white or black) & polycarbonate lens.

### ELECTRICAL

- Operating temperature (ambient): -40°C to 50°C (-40°F to 122°F).
- Universal 120-277V AC voltage (50-60Hz) is standard.
- 347-480V achieved with step-down transformer (sold separately).
- 0-10VDC dimming drivers are standard.
- Incoming AC power cord = 6'. Incoming dimming cord = 6'.
- Watertight, compression-type electrical connectors.
- Input transient surge protection = 6kV.
- Power factor = > 0.90.
- Total harmonic distortion = < 20%.

### OPTICAL SYSTEM

- Field selectable 4000k (neutral white) and 5000k (cool white) color temperatures.
- Tri-lumen selectable delivers 16,000 to 35,000 nominal lumens (see lumen tables on page 3).
- Screw in sensor ready. Sensor and remote control sold separately. Remote control required to change factory sensor settings (see default settings on page 2).
- Long-life LEDs provide 146,000 hours of operation with at least 70% of initial lumen output ( $L_{70}$ ), and 44,000 hours with at least 90% of initial lumen output ( $L_{90}$ ).
- LED color maintenance < 0.003 chromaticity shift ( $\Delta u'v'$ ) over the initial 6,000 hours of operation.
- Color rendering index > 80.



### MOUNTING

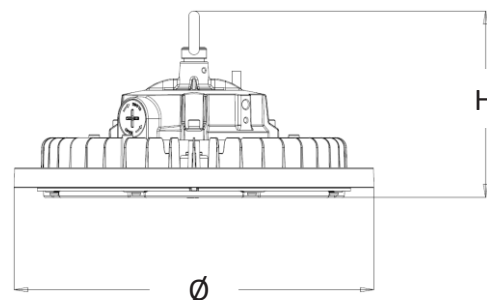
- Suspension from eyebolt (included) is standard.
- Ceiling-mounted installation using optional yoke mounting bracket, provides up to 180° of adjustability.
- Two ways to mount luminaire to electrical conduit:
  - Attach conduit (1/2" NPS) to optional yoke mounting bracket.
  - Optional pendant snap hook (for use with 3/4" NPS).

### CODE COMPLIANCE

- cULus listed for wet locations.
- DLC 5.1 premium listed.
- Complies with FCC Part 15, class A.
- IP65 rated for ingress protection.
- Lenses are rated IK09.

### WARRANTY

- 5-year warranty on all electronics and housing.



| Model              | Size (inches) & Weight (lbs) |     |        |
|--------------------|------------------------------|-----|--------|
|                    | Ø                            | H   | Weight |
| HBRSR-221816L-4K5K | 10.6                         | 5.5 | 3.7    |
| HBRSR-353024L-4K5K | 13                           | 5.6 | 6      |

### ORDERING INFORMATION

Example: HBRSR-221816L-4K5K-WHT

| Series | Nominal Lumen Output (Selectable) |                      | Kelvin Selectable | Housing Color |       |
|--------|-----------------------------------|----------------------|-------------------|---------------|-------|
|        | 221816L                           | 353024L              |                   | BLK           | WHT   |
| HBRSR  | 22,000/18,000/16,000              | 35,000/30,000/24,000 | 4K5K              | Black         | White |

## ACCESSORIES (ORDER SEPARATELY)

### Sensor

- HD07VR-PH-1 = Passive infrared sensor - maximum mounting height = 39 FT, factory settings: detection area = 100%, hold time = 5 sec, stand-by period = 0 sec, stand-by dimming level = 10%, daylight threshold = disabled
- HD07VR-MH-B-1 = Microwave step-dimming sensor - maximum mounting height = 49 FT, factory settings: detection area = 100%, hold time = 5 sec, stand-by period = 0 sec, stand-by dimming level = 10%, daylight threshold = disabled
- HD05R = Remote control for HD07VR-PH-1 & HD07VR-MH-B-1 (required to change factory settings)

### Step-down Transformers

- HBSD-325W-480-277 = 347-480V step-down transformer - all models

### Reflectors

- HBRSR-ALREF-S = 90° aluminum reflector - HBRSR-221816L-4K5K models
- HBRSR-PCREF-S = 90° polycarbonate reflector - HBRSR-221816L-4K5K models
- HBRSR-ALREF-L = 90° aluminum reflector - HBRSR-353024L-4K5K models
- HBRSR-PCREF-L = 90° polycarbonate reflector - HBRSR-353024L-4K5K-4K5K models

### Mounting Options

- HBRSR-YOKE-WHT = Yoke mount - all models - white
- HBRSR-YOKE-BLK = Yoke mount - all models - black
- LEDHBRSN-PSH-PRM-V2 = Pendant snap hook - all models

## PLUGS

- When ordering a plug, use the following suffix choices.
- Example: HBRSR-221816L-4K5K-WHT-**P515**  
Note: plugs do not affect the ability to install sensors.

| Part number suffix | Description                     | For use with |
|--------------------|---------------------------------|--------------|
| P515               | NEMA plug - 120V 15A            | All models   |
| P615               | NEMA plug - 240V 15A            |              |
| P715               | NEMA plug - 277V 15A            |              |
| P520               | NEMA plug - 120V 20A            |              |
| P620               | NEMA plug - 240V 20A            |              |
| P515L              | NEMA plug twist-lock - 120V 15A |              |
| P615L              | NEMA plug twist-lock - 240V 15A |              |
| P715L              | NEMA plug twist-lock - 277V 15A |              |
| P520L              | NEMA plug twist-lock - 120V 20A |              |
| P620L              | NEMA plug twist-lock - 240V 20A |              |
| P720L              | NEMA plug twist-lock - 277V 20A |              |

## LUMEN INFORMATION

| Series              | Measurements | Low Lumens |        | Mid Lumens |        | High Lumens |        |
|---------------------|--------------|------------|--------|------------|--------|-------------|--------|
|                     |              | 4000K      | 5000K  | 4000K      | 5000K  | 4000K       | 5000K  |
| HBR SR-221816L-4K5K | Lumens       | 15,891     | 15,522 | 18,790     | 18,218 | 22,935      | 21,802 |
|                     | Watts        | 95         | 97     | 115        | 118    | 147         | 150    |
|                     | Efficacy     | 168        | 161    | 163        | 155    | 156         | 145    |

| Series              | Measurements | Low Lumens |        | Mid Lumens |        | High Lumens |        |
|---------------------|--------------|------------|--------|------------|--------|-------------|--------|
|                     |              | 4000K      | 5000K  | 4000K      | 5000K  | 4000K       | 5000K  |
| HBR SR-353024L-4K5K | Lumens       | 24,368     | 23,920 | 30,801     | 29,953 | 35,716      | 34,621 |
|                     | Watts        | 146        | 148    | 192        | 196    | 229         | 236    |
|                     | Efficacy     | 167        | 161    | 161        | 153    | 156         | 147    |

## ELECTRICAL INFORMATION

| Series              | CCT   | Input Amps (A) |      |      |            |      |      |             |      |      |
|---------------------|-------|----------------|------|------|------------|------|------|-------------|------|------|
|                     |       | Low Lumens     |      |      | Mid Lumens |      |      | High Lumens |      |      |
|                     |       | 120V           | 240V | 277V | 120V       | 240V | 277V | 120V        | 240V | 277V |
| HBR SR-221816L-4K5K | 4000k | 0.79           | 0.40 | 0.34 | 0.96       | 0.48 | 0.42 | 1.23        | 0.61 | 0.53 |
|                     | 5000k | 0.81           | 0.40 | 0.35 | 0.98       | 0.49 | 0.43 | 1.25        | 0.63 | 0.54 |
| HBR SR-353024L-4K5K | 4000k | 1.22           | 0.61 | 0.53 | 1.60       | 0.80 | 0.69 | 1.91        | 0.95 | 0.83 |
|                     | 5000k | 1.23           | 0.62 | 0.53 | 1.63       | 0.82 | 0.71 | 1.97        | 0.98 | 0.85 |

## COMPATIBLE DIMMERS & CONTROLS

| Manufacturer | Model Number | Dimming Range | Load Switching Capacity |
|--------------|--------------|---------------|-------------------------|
|              | DWS-010V-T   | 10%-100%      | 600W                    |
|              | DWS-010V-D   | 10%-100%      | 600W                    |
| Leviton      | IP710-LFZ    | 10%-100%      | 1200W                   |
| Lutron       | DVSTV        | 10%-100%      | 450W                    |

# PHOTOMETRICS

## HBRSR-221816L-4K5K

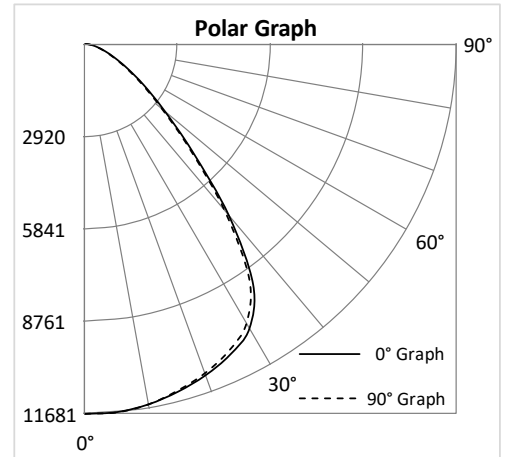
### Luminaire Data

|                                |   |
|--------------------------------|---|
| Description                    | Round High Bay<br>Lumen/Kelvin Selectable |
| Total Lumens                   | 21,803                                    |
| Input Wattage                  | 150                                       |
| Efficacy (lm/W)                | 145                                       |
| Spacing Criterion<br>(0-180°)  | 1.3                                       |
| Spacing Criterion<br>(90-270°) | 1.28                                      |

Photometrics calculated at  
5000k - high lumens setting

### Zonal Lumen Summary

| Zone    | Lumens | %Fixt  |
|---------|--------|--------|
| 0-20°   | 4,293  | 19.7%  |
| 0-30°   | 9,222  | 42.3%  |
| 0-40°   | 14,678 | 67.3%  |
| 20-50°  | 14,029 | 64.3%  |
| 40-70°  | 6,597  | 30.3%  |
| 0-60°   | 20,287 | 93.0%  |
| 0-80°   | 21,704 | 99.5%  |
| 0-90°   | 21,803 | 100.0% |
| 90-180° | 0      | 0.0%   |
| 0-180°  | 21,803 | 100.0% |



## HBRSR-353024L-4K5K

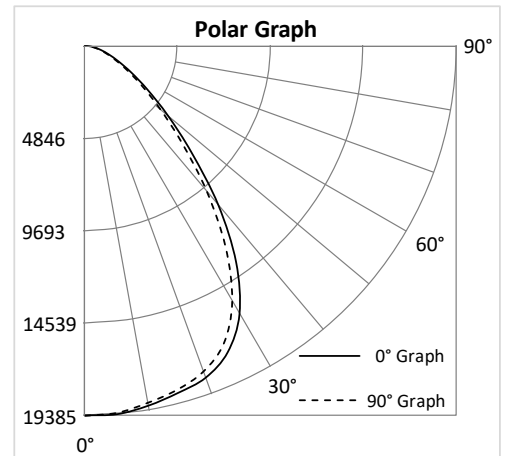
### Luminaire Data

|                                |   |
|--------------------------------|---|
| Description                    | Round High Bay<br>Lumen/Kelvin Selectable |
| Total Lumens                   | 34,628                                    |
| Input Wattage                  | 236                                       |
| Efficacy (lm/W)                | 147                                       |
| Spacing Criterion<br>(0-180°)  | 1.24                                      |
| Spacing Criterion<br>(90-270°) | 1.2                                       |

Photometrics calculated at  
5000k - high lumens setting

### Zonal Lumen Summary

| Zone    | Lumens | %Fixt  |
|---------|--------|--------|
| 0-20°   | 7,096  | 20.5%  |
| 0-30°   | 14,949 | 43.2%  |
| 0-40°   | 22,917 | 66.2%  |
| 20-50°  | 21,399 | 61.8%  |
| 40-70°  | 10,642 | 30.7%  |
| 0-60°   | 31,779 | 91.8%  |
| 0-80°   | 34,413 | 99.4%  |
| 0-90°   | 34,628 | 100.0% |
| 90-180° | 0      | 0.0%   |
| 0-180°  | 34,628 | 100.0% |



## Sensor Ready Linear High Bay Lumen & Kelvin Selectable

### STANDARD



### FEATURES

- Field selectable 4000k (neutral white) and 5000k (cool white) color temperatures.
- Patent-safe LEDs provide at least 134,000 hours of operation with at least 70% of initial lumen output ( $L_{70}$ ), and 40,000 hours with at least 90% of initial lumen output ( $L_{90}$ ).\*
- Tri-lumen selectable delivers 12,000 to 60,000 luminaire lumens (see lumen table on page 3).
- Screw in sensor ready (sensor sold separately).
- Emergency driver option available.
- Medium distribution is standard with optional narrow or wide distribution lenses.
- Universal 120-277V AC voltage (50-60Hz) is standard. 347-480V achieved with step-down transformers is optional.
- 0-10vdc dimming drivers are standard.
- Power factor > 0.90.
- Total harmonic distortion < 20%.
- Color rendering index > 80.
- Painted steel housing (stamped) and polycarbonate lenses are standard.
- Wire-guards available.

\* $L_{70}$  &  $L_{90}$  hours are IES TM-21-11 calculated hours.

### ORDERING INFORMATION

Example: HBLSR-181512L-4K5K-ND-EM25

| Series | Nominal Lumen Output (Selectable) |                      | Kelvin Selectable | Input Voltage <sup>1</sup> |          | Lens Distribution |        | Emergency Driver |  |       |
|--------|-----------------------------------|----------------------|-------------------|----------------------------|----------|-------------------|--------|------------------|--|-------|
|        | 181512L                           | 241815L              |                   | 347-480V                   | 120-277V | ND                | WD     | Blank            | EM25                                     | Blank |
| HBLSR  | 181512L                           | 18,000/15,000/12,000 | 4K5K              | UNC                        | 347-480V | ND                | Narrow | EM25             | 25W emergency driver (factory installed) |       |
|        | 241815L                           | 24,000/18,000/15,000 |                   | Blank                      | 120-277V | WD                | Wide   | Blank            | No emergency driver                      |       |
|        | 363024L                           | 36,000/30,000/24,000 |                   |                            |          | Blank             | Medium |                  |  |       |
|        | 604836L                           | 60,000/48,000/36,000 |                   |                            |          |                   |        |                  |  |       |

<sup>1</sup> UNC option not compatible with EM25 emergency driver.



### WARRANTY & LISTINGS

- cULus listed for damp locations in ambient temperatures from -40°C to 50°C (-40°F to 122°F). HBLSR-181512L-4K5K = 55°C (131°F).
  - DLC 5.1 premium listed for medium distribution.\*
  - Input transient surge protection = 6kV.
  - Complies with FCC Part 15, class A.
  - 5-year warranty on all electronics and housing.
- \* DLC 5.1 standard listed for narrow and wide distributions.

### MOUNTING OPTIONS

- Chain-mount kit (includes v-hooks and 1-meter-long chain) are standard.
- Optional pendant mounting kit provides pendant attachment to ½" rigid conduit.
- Optional surface mounting kit provides attachment to solid surfaces.
- Optional cable mount kit provides luminaire suspension.

### DIMENSIONS

| Model              | Size (inches) |       |     |
|--------------------|---------------|-------|-----|
|                    | L             | W     | H   |
| HBLSR-181512L-4K5K | 16.5          | 10.25 | 1.8 |
| HBLSR-241815L-4K5K | 23            | 10.25 | 1.8 |
| HBLSR-363024L-4K5K | 31            | 10.25 | 1.8 |
| HBLSR-604836L-4K5K | 44            | 10.25 | 1.8 |

## ACCESSORIES (order separately)

### Sensor

- HD07VR-PH-1 = Passive infrared sensor - maximum mounting height = 39 FT, factory settings: detection area = 100%, hold time = 5 sec, stand-by period = 0 sec, stand-by dimming level = 10%, daylight threshold = disabled
- HD07VR-MH-B-1 = Microwave step-dimming sensor - maximum mounting height = 49 FT, factory settings: detection area = 100%, hold time = 5 sec, stand-by period = 0 sec, stand-by dimming level = 10%, daylight threshold = disabled
- HD05R = Remote control for HD07VR-PH-1 & HD07VR-MH-B-1 (required to change factory settings)

### Lens

- HBLSR-LENS-181512L-ND = Narrow distribution lens for HBLSR-181512L-4K5K
- HBLSR-LENS-241815L-ND = Narrow distribution lens for HBLSR-241815L-4K5K
- HBLSR-LENS-363024L-ND = Narrow distribution lens for HBLSR-363024L-4K5K
- HBLSR-LENS-604836L-ND = Narrow distribution lens for HBLSR-604836L-4K5K
- HBLSR-LENS-181512L-MD = Medium distribution lens for HBLSR-181512L-4K5K (ships with luminaire standard)
- HBLSR-LENS-241815L-MD = Medium distribution lens for HBLSR-241815L-4K5K (ships with luminaire standard)
- HBLSR-LENS-363024L-MD = Medium distribution lens for HBLSR-363024L-4K5K (ships with luminaire standard)
- HBLSR-LENS-604836L-MD = Medium distribution lens for HBLSR-604836L-4K5K (ships with luminaire standard)
- HBLSR-LENS-181512L-WD = Wide distribution lens for HBLSR-181512L-4K5K
- HBLSR-LENS-241815L-WD = Wide distribution lens for HBLSR-241815L-4K5K
- HBLSR-LENS-363024L-WD = Wide distribution lens for HBLSR-363024L-4K5K
- HBLSR-LENS-604836L-WD = Wide distribution lens for HBLSR-604836L-4K5K

### Wire Guard

- HBLSR-WG-181512L = Wire guard kit for HBLSR-181512L-4K5K
- HBLSR-WG-241815L = Wire guard kit for HBLSR-241815L-4K5K
- HBLSR-WG-363024L = Wire guard kit for HBLSR-363024L-4K5K
- HBLSR-WG-604836L = Wire guard kit for HBLSR-604836L-4K5K

### Mounting Options

- HBLSR-SMK = Surface mount kit for HBLSR - all models (not compatible with UNC or EM25 options)
- HBLSR-PMK = Pendant mount for HBLSR - all models (not compatible with UNC or EM25 options)
- LEDFOB-CMK3 = Cable mount kit, 3 meters long - all models
- LEDFOB-CMK5 = Cable mount kit, 5 meters long - all models

## COMPATIBLE EMERGENCY DRIVERS INTERNALLY INSTALLED\*

| Emergency Driver Part Number | EM25  |           |
|------------------------------|-------|-----------|
|                              | Watts | EM Lumens |
| HBLSR-181512L-4K5K           | 25    | 3750      |
| HBLSR-241815L-4K5K           | 25    | 3750      |
| HBLSR-363024L-4K5K           | 25    | 3750      |
| HBLSR-604836L-4K5K           | 25    | 3750      |

\* Suitable for ambient temperatures above 0°C (32°F).

## COMPATIBLE DIMMERS & CONTROLS

|         | Model Number | Dimming Range | Load Switching Capacity |
|---------|--------------|---------------|-------------------------|
|         | DWS-010V-T   | 10%-100%      | 600W                    |
|         | DWS-010V-D   | 10%-100%      | 600W                    |
| Leviton | IP710-LFZ    | 10%-100%      | 1200W                   |
| Lutron  | DVSTV        | 10%-100%      | 450W                    |



## ELECTRICAL DATA

| Series                    | Measurements      | Low Lumens   |              | Mid Lumens   |              | High Lumens  |              |
|---------------------------|-------------------|--------------|--------------|--------------|--------------|--------------|--------------|
|                           |                   | 4000K        | 5000K        | 4000K        | 5000K        | 4000K        | 5000K        |
| <b>HBLSR-181512L-4K5K</b> | Lumens            | 12,007       | 12,307       | 14,555       | 15,071       | 18,085       | 18,421       |
|                           | Watts             | 76           | 77           | 96           | 98           | 120          | 123          |
|                           | Efficacy          | 158          | 159          | 152          | 154          | 150          | 150          |
|                           | Input Current (A) | 120V = 0.63A | 120V = 0.64A | 120V = 0.80A | 120V = 0.82A | 120V = 1.00A | 120V = 1.03A |
| 240V = 0.32A              |                   | 240V = 0.32A | 240V = 0.40A | 240V = 0.41A | 240V = 0.50A | 240V = 0.51A |              |
| 277V = 0.27A              |                   | 277V = 0.28A | 277V = 0.35A | 277V = 0.35A | 277V = 0.43A | 277V = 0.44A |              |

| Series                    | Measurements      | Low Lumens   |              | Mid Lumens   |              | High Lumens  |              |
|---------------------------|-------------------|--------------|--------------|--------------|--------------|--------------|--------------|
|                           |                   | 4000K        | 5000K        | 4000K        | 5000K        | 4000K        | 5000K        |
| <b>HBLSR-241815L-4K5K</b> | Lumens            | 15,021       | 15,557       | 18,017       | 18,477       | 24,047       | 24,241       |
|                           | Watts             | 94           | 96           | 115          | 117          | 158          | 158          |
|                           | Efficacy          | 159          | 162          | 157          | 158          | 152          | 153          |
|                           | Input Current (A) | 120V = 0.78A | 120V = 0.80A | 120V = 0.96A | 120V = 0.98A | 120V = 1.32A | 120V = 1.32A |
| 240V = 0.39A              |                   | 240V = 0.40A | 240V = 0.48A | 240V = 0.49A | 240V = 0.66A | 240V = 0.66A |              |
| 277V = 0.34A              |                   | 277V = 0.35A | 277V = 0.42A | 277V = 0.42A | 277V = 0.57A | 277V = 0.57A |              |

| Series                    | Measurements      | Low Lumens   |              | Mid Lumens   |              | High Lumens  |              |
|---------------------------|-------------------|--------------|--------------|--------------|--------------|--------------|--------------|
|                           |                   | 4000K        | 5000K        | 4000K        | 5000K        | 4000K        | 5000K        |
| <b>HBLSR-363024L-4K5K</b> | Lumens            | 24,049       | 24,854       | 30,037       | 30,299       | 35,517       | 36,076       |
|                           | Watts             | 152          | 155          | 193          | 197          | 237          | 242          |
|                           | Efficacy          | 158          | 160          | 156          | 154          | 150          | 149          |
|                           | Input Current (A) | 120V = 1.27A | 120V = 1.29A | 120V = 1.61A | 120V = 1.64A | 120V = 1.98A | 120V = 2.02A |
| 240V = 0.63A              |                   | 240V = 0.65A | 240V = 0.80A | 240V = 0.82A | 240V = 0.99A | 240V = 1.01A |              |
| 277V = 0.55A              |                   | 277V = 0.56A | 277V = 0.70A | 277V = 0.71A | 277V = 0.86A | 277V = 0.87A |              |

## ELECTRICAL DATA

| Series             | Measurements      | Low Lumens   |              | Mid Lumens   |              | High Lumens  |              |
|--------------------|-------------------|--------------|--------------|--------------|--------------|--------------|--------------|
|                    |                   | 4000K        | 5000K        | 4000K        | 5000K        | 4000K        | 5000K        |
| HBLSR-604836L-4K5K | Lumens            | 37,049       | 38,465       | 48,182       | 49,009       | 60,104       | 61,319       |
|                    | Watts             | 236          | 241          | 312          | 317          | 404          | 412          |
|                    | Efficacy          | 157          | 160          | 154          | 155          | 149          | 149          |
|                    | Input Current (A) | 120V = 1.97A | 120V = 2.01A | 120V = 2.60A | 120V = 2.64A | 120V = 3.37A | 120V = 3.43A |
| 240V = 0.98A       |                   | 240V = 1.00A | 240V = 1.30A | 240V = 1.32A | 240V = 1.68A | 240V = 1.72A |              |
| 277V = 0.85A       |                   | 277V = 0.87A | 277V = 1.13A | 277V = 1.14A | 277V = 1.46A | 277V = 1.49A |              |

## PHOTOMETRIC DATA

### HBLSR-181512L-4K5K

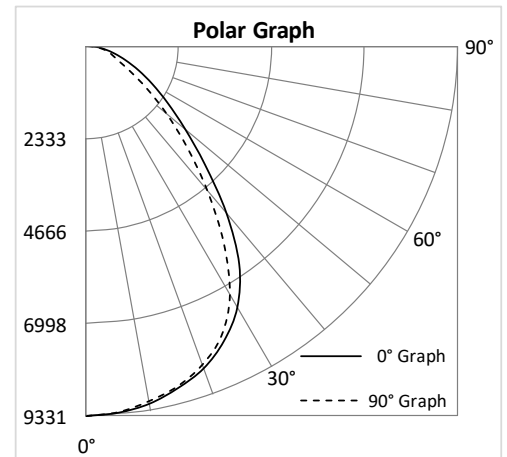
#### Luminaire Data

|                             |  |
|-----------------------------|--|
| Description                 | Linear High Bay<br>Lumen/Kelvin Selectable |
| Total Lumens                | 18,423                                     |
| Input Wattage               | 123  |
| Efficacy (lm/W)             | 150  |
| Spacing Criterion (0-180°)  | 1.22                                       |
| Spacing Criterion (90-270°) | 1.18                                       |

Photometrics calculated at 5000k - high lumens setting

#### Zonal Lumen Summary

| Zone    | Lumens | %Fixt  |
|---------|--------|--------|
| 0-20°   | 3,402  | 18.5%  |
| 0-30°   | 7,155  | 38.8%  |
| 0-40°   | 11,161 | 60.6%  |
| 20-50°  | 10,840 | 58.8%  |
| 40-70°  | 6,281  | 34.1%  |
| 0-60°   | 16,247 | 88.2%  |
| 0-80°   | 18,156 | 98.6%  |
| 0-90°   | 18,423 | 100.0% |
| 90-180° | 0      | 0.0%   |
| 0-180°  | 18,423 | 100.0% |



### HBLSR-241815L-4K5K

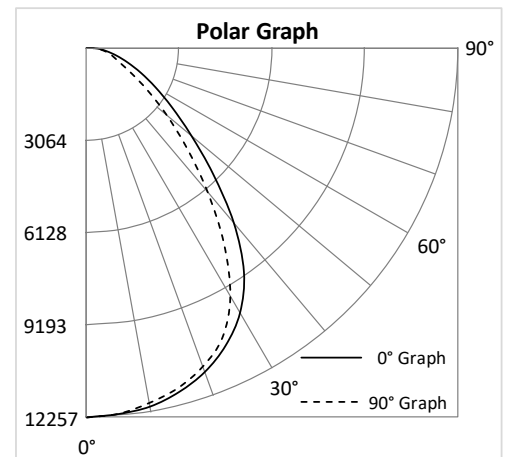
#### Luminaire Data

|                             |  |
|-----------------------------|--|
| Description                 | Linear High Bay<br>Lumen/Kelvin Selectable |
| Total Lumens                | 24,269                                     |
| Input Wattage               | 158  |
| Efficacy (lm/W)             | 153  |
| Spacing Criterion (0-180°)  | 1.24                                       |
| Spacing Criterion (90-270°) | 1.18                                       |

Photometrics calculated at 5000k - high lumens setting

#### Zonal Lumen Summary

| Zone    | Lumens | %Fixt  |
|---------|--------|--------|
| 0-20°   | 4,468  | 18.4%  |
| 0-30°   | 9,398  | 38.7%  |
| 0-40°   | 14,661 | 60.4%  |
| 20-50°  | 14,249 | 58.7%  |
| 40-70°  | 8,283  | 34.1%  |
| 0-60°   | 21,353 | 88.0%  |
| 0-80°   | 23,902 | 98.5%  |
| 0-90°   | 24,269 | 100.0% |
| 90-180° | 0      | 0.0%   |
| 0-180°  | 24,269 | 100.0% |



## PHOTOMETRIC DATA

### HBLSR-363024L-4K5K

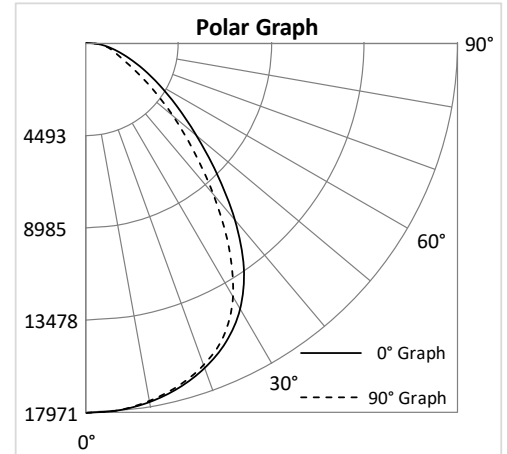
#### Luminaire Data

|                                |  |
|--------------------------------|--|
| Description                    | Linear High Bay<br>Lumen/Kelvin Selectable |
| Total Lumens                   | 36,087                                     |
| Input Wattage                  | 242  |
| Efficacy (lm/W)                | 149  |
| Spacing Criterion<br>(0-180°)  | 1.24                                       |
| Spacing Criterion<br>(90-270°) | 1.18                                       |

Photometrics calculated at  
5000k - high lumens setting

#### Zonal Lumen Summary

| Zone    | Lumens | %Fixt  |
|---------|--------|--------|
| 0-20°   | 6,560  | 18.2%  |
| 0-30°   | 13,802 | 38.2%  |
| 0-40°   | 21,585 | 59.8%  |
| 20-50°  | 21,143 | 58.6%  |
| 40-70°  | 12,526 | 34.7%  |
| 0-60°   | 31,718 | 87.9%  |
| 0-80°   | 35,540 | 98.5%  |
| 0-90°   | 36,087 | 100.0% |
| 90-180° | 0      | 0.0%   |
| 0-180°  | 36,087 | 100.0% |



### HBLSR-604836L-4K5K

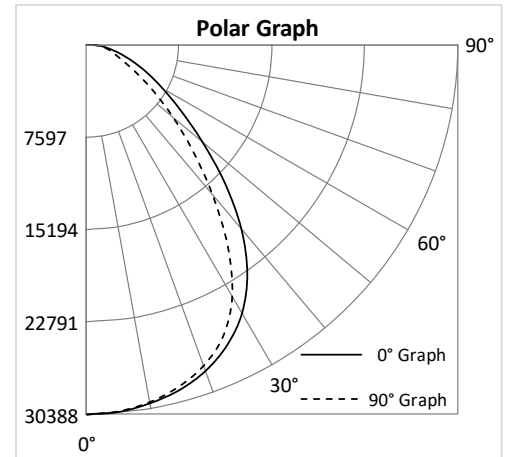
#### Luminaire Data

|                                |  |
|--------------------------------|--|
| Description                    | Linear High Bay<br>Lumen/Kelvin Selectable |
| Total Lumens                   | 61,323                                     |
| Input Wattage                  | 412  |
| Efficacy (lm/W)                | 149  |
| Spacing Criterion<br>(0-180°)  | 1.24                                       |
| Spacing Criterion<br>(90-270°) | 1.18                                       |

Photometrics calculated at  
5000k - high lumens setting

#### Zonal Lumen Summary

| Zone    | Lumens | %Fixt  |
|---------|--------|--------|
| 0-20°   | 11,100 | 18.1%  |
| 0-30°   | 23,335 | 38.1%  |
| 0-40°   | 36,491 | 59.5%  |
| 20-50°  | 35,901 | 58.5%  |
| 40-70°  | 21,535 | 35.1%  |
| 0-60°   | 53,908 | 87.9%  |
| 0-80°   | 60,446 | 98.6%  |
| 0-90°   | 61,323 | 100.0% |
| 90-180° | 0      | 0.0%   |
| 0-180°  | 61,323 | 100.0% |



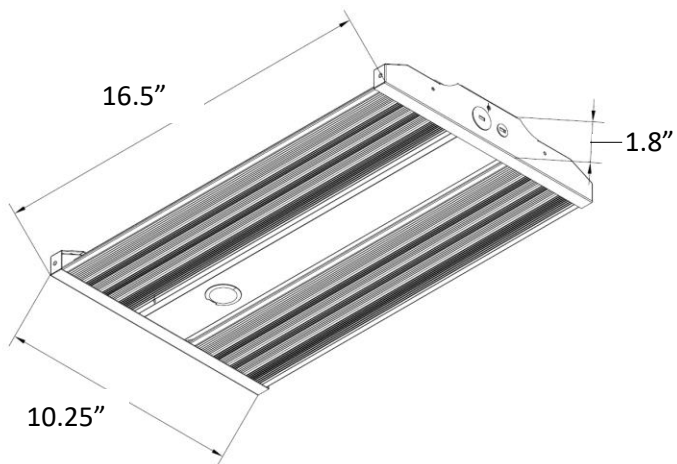
## CORDS & PLUGS

- When ordering a cord/cord & plug, use the following suffix choices.
- Example: HBLSR-181512L-4K5K-EM25-10C4  
Note: cord & plugs do not affect the ability to install sensors.

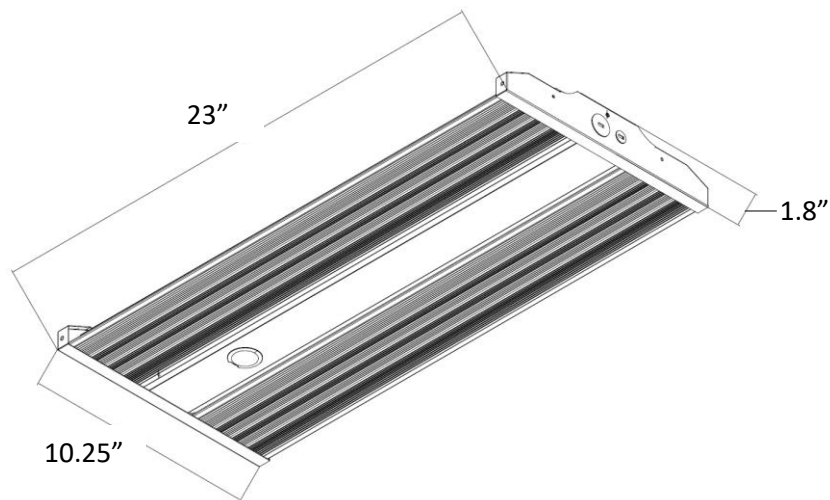
| Part number suffix | Description  | For use with             |
|--------------------|--|--------------------------|
| 6C3                | 6' cord - 3 conductor (black/white/green)  | Standard & UNC           |
| 6C4                | 6' cord - 4 conductor (black/white/green/red)                                    | EM driver                |
| 6C5                | 6' cord - 5 conductor (black/white/green/purple/pink)                            | Dimming (standard & UNC) |
| 6C6                | 6' cord - 6 conductor (black/white/green/red/purple/pink)                        | Dimming & EM driver      |
| 10C3               | 10' cord - 3 conductor (black/white/green)                                       | Standard & UNC           |
| 10C4               | 10' cord - 4 conductor (black/white/green/red)                                   | EM driver                |
| 10C5               | 10' cord - 5 conductor (black/white/green/purple/pink)                           | Dimming (standard & UNC) |
| 10C6               | 10' cord - 6 conductor (black/white/green/red/purple/pink)                       | Dimming & EM driver      |
| 15C3               | 15' cord - 3 conductor (black/white/green)                                       | Standard & UNC           |
| 15C4               | 15' cord - 4 conductor (black/white/green/red)                                   | EM driver                |
| 15C5               | 15' cord - 5 conductor (black/white/green/purple/pink)                           | Dimming (standard & UNC) |
| 15C6               | 15' cord - 6 conductor (black/white/green/red/purple/pink)                       | Dimming & EM driver      |
| 6W3                | 6' whip - 3 conductor (black/white/green)  | Standard & UNC           |
| 6W4                | 6' whip - 4 conductor (black/white/green/red)                                    | EM driver                |
| 6W5                | 6' whip - 5 conductor (black/white/green/purple/pink)                            | Dimming (standard & UNC) |
| 6W6                | 6' whip - 6 conductor (black/white/green/red/purple/pink)                        | Dimming & EM driver      |
| 6P515              | 6' cord - 3 conductor (black/white/green) - NEMA 5-15 plug (120V/15A)            | Standard luminaire       |
| 6P615              | 6' cord - 3 conductor (black/white/green) - NEMA 6-15 plug (240V/15A)            | Standard luminaire       |
| 6P715              | 6' cord - 3 conductor (black/white/green) - NEMA 7-15 plug (277V/15A)            | Standard luminaire       |
| 6P520              | 6' cord - 3 conductor (black/white/green) - NEMA 5-20 plug (120V/20A)            | Standard luminaire       |
| 6P620              | 6' cord - 3 conductor (black/white/green) - NEMA 6-20 plug (277V/20A)            | Standard luminaire       |
| 6P515L             | 6' cord - 3 conductor (black/white/green) - NEMA L5-15 plug (120V/15A locking)   | Standard luminaire       |
| 6P615L             | 6' cord - 3 conductor (black/white/green) - NEMA L6-15 plug (240V/15A locking)   | Standard luminaire       |
| 6P715L             | 6' cord - 3 conductor (black/white/green) - NEMA L7-15 plug (277V/15A locking)   | Standard luminaire       |
| 6P520L             | 6' cord - 3 conductor (black/white/green) - NEMA L5-20 plug (120V/20A locking)   | Standard luminaire       |
| 6P620L             | 6' cord - 3 conductor (black/white/green) - NEMA L6-20 plug (240V/20A locking)   | Standard luminaire       |
| 6P720L             | 6' cord - 3 conductor (black/white/green) - NEMA L7-20 plug (277V/20A locking)   | Standard luminaire       |
| 6P2420L            | 6' cord - 3 conductor (black/white/green) - NEMA L24-20 plug (347V/20A locking)  | UNC luminaire            |
| 6P820L             | 6' cord - 3 conductor (black/white/green) - NEMA L8-20 plug (480V/20A locking)   | UNC luminaire            |
| 10P515             | 10' cord - 3 conductor (black/white/green) - NEMA 5-15 plug (120V/15A)           | Standard luminaire       |
| 10P615             | 10' cord - 3 conductor (black/white/green) - NEMA 6-15 plug (240V/15A)           | Standard luminaire       |
| 10P715             | 10' cord - 3 conductor (black/white/green) - NEMA 7-15 plug (277V/15A)           | Standard luminaire       |
| 10P520             | 10' cord - 3 conductor (black/white/green) - NEMA 5-20 plug (120V/20A)           | Standard luminaire       |
| 10P620             | 10' cord - 3 conductor (black/white/green) - NEMA 6-20 plug (277V/20A)           | Standard luminaire       |
| 10P515L            | 10' cord - 3 conductor (black/white/green) - NEMA L5-15 plug (120V/15A locking)  | Standard luminaire       |
| 10P615L            | 10' cord - 3 conductor (black/white/green) - NEMA L6-15 plug (240V/15A locking)  | Standard luminaire       |
| 10P715L            | 10' cord - 3 conductor (black/white/green) - NEMA L7-15 plug (277V/15A locking)  | Standard luminaire       |
| 10P520L            | 10' cord - 3 conductor (black/white/green) - NEMA L5-20 plug (120V/20A locking)  | Standard luminaire       |
| 10P620L            | 10' cord - 3 conductor (black/white/green) - NEMA L6-20 plug (240V/20A locking)  | Standard luminaire       |
| 10P720L            | 10' cord - 3 conductor (black/white/green) - NEMA L7-20 plug (277V/20A locking)  | Standard luminaire       |
| 10P2420L           | 10' cord - 3 conductor (black/white/green) - NEMA L24-20 plug (347V/20A locking) | UNC luminaire            |
| 10P820L            | 10' cord - 3 conductor (black/white/green) - NEMA L8-20 plug (480V/20A locking)  | UNC luminaire            |
| 15P515             | 15' cord - 3 conductor (black/white/green) - NEMA 5-15 plug (120V/15A)           | Standard luminaire       |
| 15P615             | 15' cord - 3 conductor (black/white/green) - NEMA 6-15 plug (240V/15A)           | Standard luminaire       |
| 15P715             | 15' cord - 3 conductor (black/white/green) - NEMA 7-15 plug (277V/15A)           | Standard luminaire       |
| 15P520             | 15' cord - 3 conductor (black/white/green) - NEMA 5-20 plug (120V/20A)           | Standard luminaire       |
| 15P620             | 15' cord - 3 conductor (black/white/green) - NEMA 6-20 plug (277V/20A)           | Standard luminaire       |
| 15P515L            | 15' cord - 3 conductor (black/white/green) - NEMA L5-15 plug (120V/15A locking)  | Standard luminaire       |
| 15P615L            | 15' cord - 3 conductor (black/white/green) - NEMA L6-15 plug (240V/15A locking)  | Standard luminaire       |
| 15P715L            | 15' cord - 3 conductor (black/white/green) - NEMA L7-15 plug (277V/15A locking)  | Standard luminaire       |
| 15P520L            | 15' cord - 3 conductor (black/white/green) - NEMA L5-20 plug (120V/20A locking)  | Standard luminaire       |
| 15P620L            | 15' cord - 3 conductor (black/white/green) - NEMA L6-20 plug (240V/20A locking)  | Standard luminaire       |
| 15P720L            | 15' cord - 3 conductor (black/white/green) - NEMA L7-20 plug (277V/20A locking)  | Standard luminaire       |
| 15P2420L           | 15' cord - 3 conductor (black/white/green) - NEMA L24-20 plug (347V/20A locking) | UNC luminaire            |
| 15P820L            | 15' cord - 3 conductor (black/white/green) - NEMA L8-20 plug (480V/20A locking)  | UNC luminaire            |

## DIMENSIONAL DRAWINGS

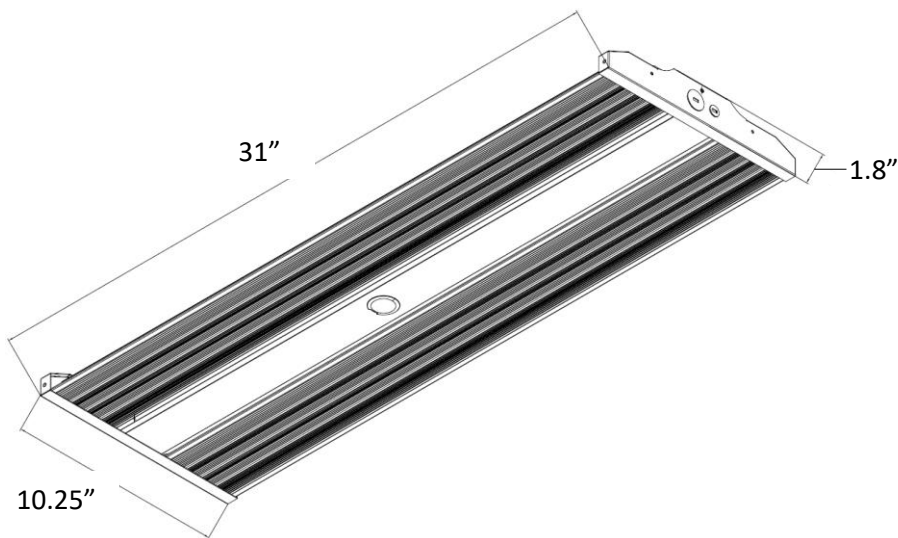
HBLSR-181512L-4K5K



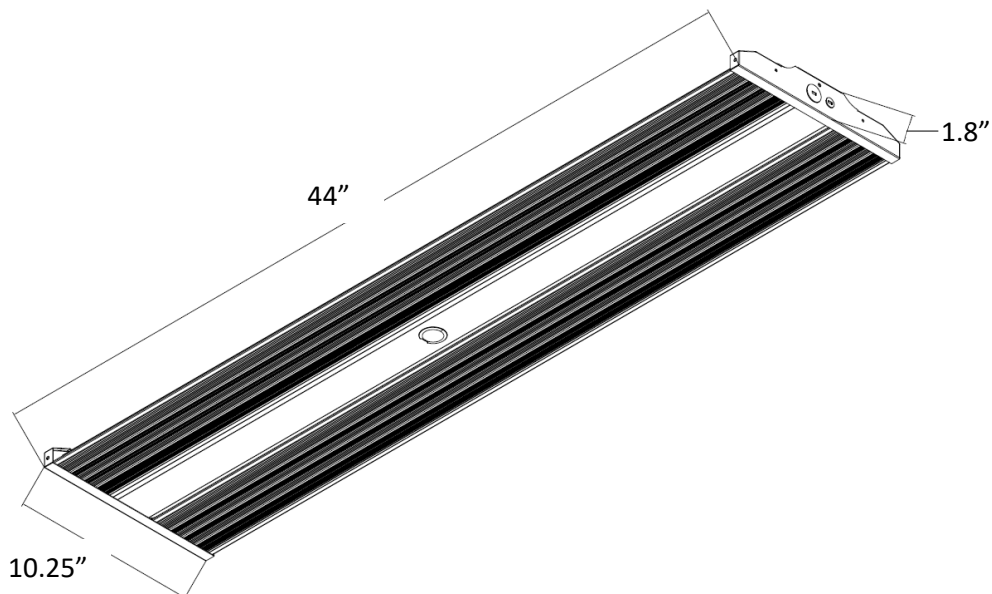
HBLSR-241815L-4K5K



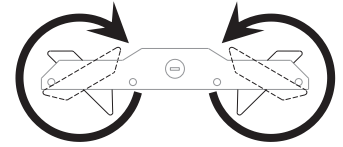
HBLSR-363024L-4K5K



HBLSR-604836L-4K5K



## LED Linear Adjustable High Bay 15,000-30,000 Lumens



LED modules rotate up to 150°

### STANDARD



### FEATURES

- Available in 4000k (neutral white) and 5000k (cool white) color temperatures.\*
- Long-life LEDs provide 174,000 hours of operation with at least 70% of initial lumen output (L<sub>70</sub>).\*\*
- HBLA-15 delivers 15,297 lumens (140 lumens per watt, LPW) at 4000k, and 15,471 lumens (141 LPW) at 5000k.\*
- HBLA-23 delivers 22,970 lumens (139 LPW) at 4000k, and 23,223 lumens (140 LPW) at 5000k.\*
- HBLA-30 delivers 30,394 lumens (140 LPW) at 4000k, and 30,742 lumens (142 LPW) at 5000k.\*
- Universal 120-277 AC voltage (50-60Hz) is standard.
- 0-10vdc dimming drivers are standard.
- Power factor > 0.90.
- Total harmonic distortion < 20%.
- Color rendering index > 80.
- Painted steel housing and PMMA (polymethyl methacrylate) frosted lenses are standard.
- Easy installation in new construction or retrofit.
- Optics rotate up to 150°.
- Chain-mount kits (includes v-hooks and 1/8" thick, 1-meter long chain) are standard.
- Options include wire-guard kits, pendant mount kits, and surface mount kits.

\* Contact factory for other color temperatures and lumen packages.

\*\* L<sub>70</sub> hours are IES TM-21-11 calculated hours.

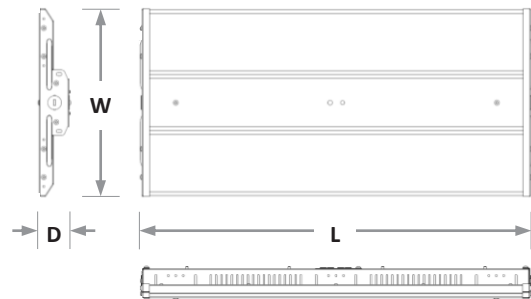
### WARRANTY & LISTINGS

- cULus listed for damp locations in ambient temperatures from -40°C to 50°C (-40°F to 122°F).
- DLC premium.
- Complies with RoHS (Restriction on Hazardous Substances) requirements.
- Complies with FCC Part 15, class A.
- Flicker-free per IEEE1789-2015 (no observable adverse effects of flicker at 100% light output level).
- Complies with IEC/EN61000-4-5, input transient protection (2.0kV).
- 5-year warranty of all electronics and housing.

### MOUNTING OPTIONS

- Chain mounting with V-hooks is standard.
- Optional pendant mounting kit (p/n LEDHB-PMK-S) provides pendant attachment to 1/2" rigid conduit.
- Optional surface mounting kit (p/n LEDHB-SMK-S) provides attachment to solid surfaces.

### DIMENSIONS



| Model | Length (L) | Width (W) | Depth (D) | Weight    |
|-------|------------|-----------|-----------|-----------|
| 15L   | 26"        | 12"       | 2"        | 7.7 lbs.  |
| 23L   | 26"        | 12"       | 2"        | 9.0 lbs.  |
| 30L   | 26"        | 14"       | 2"        | 10.0 lbs. |

### ORDERING INFORMATION

Example: HBLA-15L-5K-ODS-EM20

| Model | Nominal Lumen Output |        | Color Temperature |       | Occupancy Sensor <sup>1</sup> |                     | Emergency Driver <sup>2,3,4</sup> |                     |
|-------|----------------------|--------|-------------------|-------|-------------------------------|---------------------|-----------------------------------|---------------------|
|       | Model                | Lumens | 4K                | 5000k | OS                            | Passive infrared    | EM8                               | 800 lumens          |
| HBLA  | 15L                  | 15,000 | 4K                | 4000k | OS                            | Passive infrared    | EM12                              | 1,200 lumens        |
| HBLA  | 23L                  | 23,000 | 5K                | 5000k | ODS                           | Microwave           | EM16                              | 1,600 lumens        |
| HBLA  | 30L                  | 30,000 |                   |       | Blank                         | No occupancy sensor | EM20                              | 2,000 lumens        |
|       |                      |        |                   |       |                               |                     | EM24                              | 2,400 lumens        |
|       |                      |        |                   |       |                               |                     | EC8                               | 800 lumens          |
|       |                      |        |                   |       |                               |                     | EC12                              | 1,200 lumens        |
|       |                      |        |                   |       |                               |                     | EC16                              | 1,600 lumens        |
|       |                      |        |                   |       |                               |                     | EC20                              | 2,000 lumens        |
|       |                      |        |                   |       |                               |                     | EC24                              | 2,400 lumens        |
|       |                      |        |                   |       |                               |                     | Blank                             | No emergency driver |

<sup>1</sup> Contact factory for other sensors. Sensors: OS = YM2501A / ODS = HD406VRH

<sup>2</sup> See list of emergency drivers (page 2).

<sup>3</sup> EC emergency drivers are California Energy Commission (CEC) listed.

<sup>4</sup> Factory installed EM drivers are not available when using pendant or surface mounting kits. Consult factory for remote mounting options.

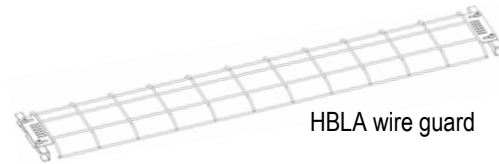
## COMPATIBLE EMERGENCY DRIVERS

| Emergency Driver Part Number | EM8 / EC8 |           | EM12 / EC12 |           | EM16 / EC16 |           | EM20 / EC20 |           | EM24 / EC24 |           | Runtime  |
|------------------------------|-----------|-----------|-------------|-----------|-------------|-----------|-------------|-----------|-------------|-----------|----------|
| Model                        | Watts     | EM Lumens | Watts       | EM Lumens | Watts       | EM Lumens | Watts       | EM Lumens | Watts       | EM Lumens |          |
| HBLA-15L-xK                  | 5         | 700       | 7.8         | 1092      | 10.7        | 1498      | 13.7        | 1918      | 17.0        | 2380      | 90 MINS. |
| HBLA-23L-xK                  | 5         | 695       | 7.8         | 1084      | 10.7        | 1487      | 13.7        | 1904      | 17.0        | 2363      |          |
| HBLA-30L-xK                  | 5         | 700       | 7.8         | 1092      | 10.7        | 1498      | 13.7        | 1918      | 17.0        | 2380      |          |

## ACCESSORIES

### Wire Guard

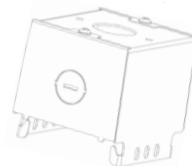
- HBLA-WGK-24X4 = Wire-guard kit – 15L & 23L
- HBLA-WGK-24X5 = Wire-guard kit – 30L



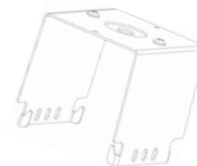
HBLA wire guard

### Mounting Options

- LEDHB-PMK-S = Pendant mount kit – all models
- LEDHB-SMK-S = Surface mount kit – all models



LEDHB-PMK-S



LEDHB-SMK-S

## ELECTRICAL DATA

| Model       | Color Temperature | CRI <sup>1</sup> | Luminaire Lumens | Luminaire Watts | Lumens/Watt | Input Voltage <sup>2</sup> | Input Current (A) |      |      | Power Factor | THD <sup>3</sup> | L <sub>70</sub> Hours <sup>4</sup> |
|-------------|-------------------|------------------|------------------|-----------------|-------------|----------------------------|-------------------|------|------|--------------|------------------|------------------------------------|
|             |                   |                  |                  |                 |             |                            | 120V              | 240V | 277V |              |                  |                                    |
| HBLA-15L-4K | 4000k             | >80              | 15,297           | 109             | 140         | 120-277                    | 1.17              | 0.58 | 0.51 | >0.90        | <20%             | 174,000                            |
| HBLA-15L-5K | 5000k             | >80              | 15,471           | 109             | 141         | 120-277                    | 1.18              | 0.59 | 0.51 | >0.90        | <20%             | 174,000                            |
| HBLA-23L-4K | 4000k             | >80              | 22,970           | 166             | 139         | 120-277                    | 1.16              | 0.58 | 0.50 | >0.90        | <20%             | 174,000                            |
| HBLA-23L-5K | 5000k             | >80              | 23,223           | 166             | 140         | 120-277                    | 1.17              | 0.58 | 0.51 | >0.90        | <20%             | 174,000                            |
| HBLA-30L-4K | 4000k             | >80              | 30,394           | 217             | 140         | 120-277                    | 1.17              | 0.58 | 0.51 | >0.90        | <20%             | 174,000                            |
| HBLA-30L-5K | 5000k             | >80              | 30,742           | 217             | 142         | 120-277                    | 1.18              | 0.59 | 0.51 | >0.90        | <20%             | 174,000                            |

<sup>1</sup> Color rendering index.

<sup>2</sup> All 50-60Hz.

<sup>3</sup> Total harmonic distortion.

<sup>4</sup> L<sub>70</sub> refers to the number of hours at which lumen output declines to 70% of the initial level. L<sub>70</sub> hours are IES TM-21-11 calculated hours.

## PHOTOMETRIC DATA

### HBLA-15L-4K

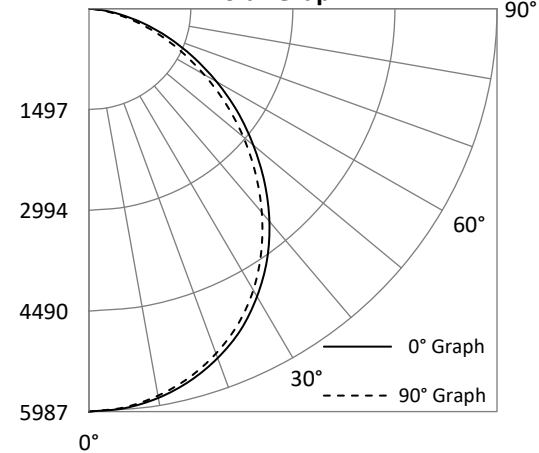
#### Luminaire Data

|                             |                                     |
|-----------------------------|-------------------------------------|
| Description                 | LED ADJUSTABLE<br>HIGH BAY - 15L 4K |
| Total Lumens                | 15,297                              |
| Input Wattage               | 109                                 |
| Efficacy (lm/W)             | 140                                 |
| Spacing Criterion (0-180°)  | 1.24                                |
| Spacing Criterion (90-270°) | 1.22                                |

#### Zonal Lumen Summary

| Zone    | Lumens | %Fixt  |
|---------|--------|--------|
| 0-20°   | 2,180  | 14.2%  |
| 0-30°   | 4,594  | 30.0%  |
| 0-40°   | 7,421  | 48.5%  |
| 20-50°  | 8,022  | 52.4%  |
| 40-70°  | 6,737  | 44.0%  |
| 0-60°   | 12,531 | 81.9%  |
| 0-80°   | 15,008 | 98.1%  |
| 0-90°   | 15,211 | 99.4%  |
| 90-180° | 86     | 0.6%   |
| 0-180°  | 15,297 | 100.0% |

#### Polar Graph



### HBLA-23L-4K

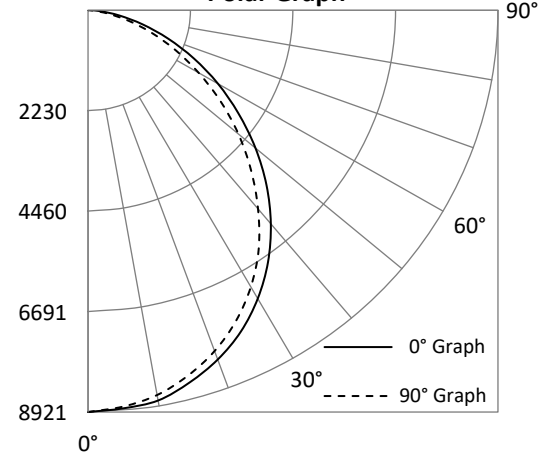
#### Luminaire Data

|                             |                                     |
|-----------------------------|-------------------------------------|
| Description                 | LED ADJUSTABLE<br>HIGH BAY - 23L 4K |
| Total Lumens                | 22,970                              |
| Input Wattage               | 166                                 |
| Efficacy (lm/W)             | 139                                 |
| Spacing Criterion (0-180°)  | 1.24                                |
| Spacing Criterion (90-270°) | 1.20                                |

#### Zonal Lumen Summary

| Zone    | Lumens | %Fixt  |
|---------|--------|--------|
| 0-20°   | 3,256  | 14.2%  |
| 0-30°   | 6,872  | 29.9%  |
| 0-40°   | 11,118 | 48.4%  |
| 20-50°  | 12,051 | 52.5%  |
| 40-70°  | 10,169 | 44.3%  |
| 0-60°   | 18,825 | 82.0%  |
| 0-80°   | 22,571 | 98.3%  |
| 0-90°   | 22,858 | 99.5%  |
| 90-180° | 112    | 0.5%   |
| 0-180°  | 22,970 | 100.0% |

#### Polar Graph



### HBLA-30L-4K

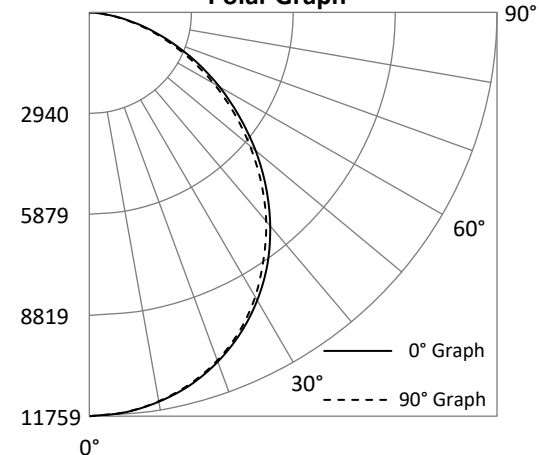
#### Luminaire Data

|                             |                                     |
|-----------------------------|-------------------------------------|
| Description                 | LED ADJUSTABLE<br>HIGH BAY - 30L 4K |
| Total Lumens                | 30,394                              |
| Input Wattage               | 217                                 |
| Efficacy (lm/W)             | 140                                 |
| Spacing Criterion (0-180°)  | 1.24                                |
| Spacing Criterion (90-270°) | 1.22                                |

#### Zonal Lumen Summary

| Zone    | Lumens | %Fixt  |
|---------|--------|--------|
| 0-20°   | 4,281  | 14.1%  |
| 0-30°   | 9,022  | 29.7%  |
| 0-40°   | 14,585 | 48.0%  |
| 20-50°  | 15,813 | 52.0%  |
| 40-70°  | 13,516 | 44.5%  |
| 0-60°   | 24,772 | 81.5%  |
| 0-80°   | 29,863 | 98.3%  |
| 0-90°   | 30,265 | 99.6%  |
| 90-180° | 129    | 0.4%   |
| 0-180°  | 30,394 | 100.0% |

#### Polar Graph





## LED Linear High Bay 78,000 Lumens

### STANDARD



### FEATURES

- Available in 4000k (neutral white) and 5000k (cool white) color temperatures.\*
- Long-life LEDs provide 130,000 hours of operation with at least 70% of initial lumen output ( $L_{70}$ ), and 40,000 hours with at least 90% of initial lumen output ( $L_{90}$ ).\*\*
- 78,000 nominal lumens.
- 500 nominal watts.
- LED chromaticity based on  $\leq 7$ -step ANSI quadrangles.
- LED color maintenance  $\leq 0.002$  chromaticity shift ( $\Delta u'v'$ ) over the initial 6,000 hours of operation.
- Universal 120-277 AC voltage (50-60Hz) is standard.
- 0-10vdc dimming drivers are standard.
- Power factor  $> 0.90$ .
- Total harmonic distortion  $< 20\%$ .
- Color rendering index  $> 80$ .
- Painted steel housing and PMMA (polymethyl methacrylate) frosted lenses are standard.
- Chain-mount kits (includes v-hooks and  $\frac{1}{8}$ " thick, 1-meter long chain) are standard.
- Optional wire-guards.
- Easy installation in new construction or retrofit.

\* Contact factory for other color temperatures and lumen packages.  
\*\*  $L_{70}$  &  $L_{90}$  hours are IES TM-21-11 calculated hours.



### WARRANTY & LISTINGS

- cULus listed for damp locations in ambient temperatures from  $-20^{\circ}\text{C}$  to  $50^{\circ}\text{C}$  ( $-4^{\circ}\text{F}$  to  $122^{\circ}\text{F}$ ).\*
- DLC premium listed.
- Complies with FCC Part 15, class A.
- Complies with IEEE C.62.41-1991, input transient protection (2.0kV).
- 5-year warranty of all electronics and housing.

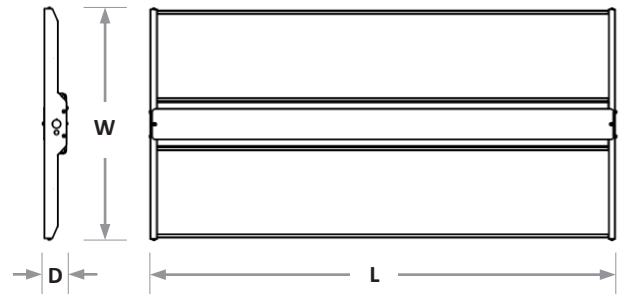
\* Luminaires utilizing step-down transformers must be mounted at least 18" inches below ceiling in ambient temperatures not exceeding  $42^{\circ}\text{C}$ . Surface mounted luminaires must not be installed in ambient temperatures exceeding  $44^{\circ}\text{C}$ .  $50^{\circ}\text{C}$  only when mounted 18" below ceiling with no step-down or emergency drivers installed.

### MOUNTING OPTIONS

- Chain mounting with V-hooks is standard.
- Optional mounting means include surface mounting and cable mounting.\*

\* See Accessories, page 2.

### DIMENSIONS



| Model | Length (L) | Width (W) | Depth (D) | Weight  |
|-------|------------|-----------|-----------|---------|
| 78L   | 46.5"      | 22.9"     | 2.2"      | 21 lbs. |

### ORDERING INFORMATION

Example: HBLE-78L-5K

| Series | Nominal Lumen Output |        | Color Temperature |       | Emergency Driver <sup>1 2 3</sup> |             |
|--------|----------------------|--------|-------------------|-------|-----------------------------------|-------------|
|        | 78L                  | 78,000 | 4K                | 4000k |                                   |             |
| HBLE   |                      |        | 5K                | 5000k | EM16                              | 1600 lumens |
|        |                      |        |                   |       | EM20                              | 2000 lumens |
|        |                      |        |                   | EM24  | 2400 lumens                       |             |
|        |                      |        |                   | EC16  | 1600 lumens                       |             |
|        |                      |        |                   | EC20  | 2000 lumens                       |             |
|        |                      |        |                   | EC24  | 2400 lumens                       |             |
|        |                      |        |                   | Blank | No emergency driver               |             |

<sup>1</sup> Emergency drivers available for 120-277V models only.

<sup>2</sup> See list of emergency drivers (page 2).

<sup>3</sup> EC emergency drivers are California Energy Commission (CEC) listed.

## Compatible Emergency Drivers

| Emergency Driver Part Number | EM16 / EC16 |           | EM20 / EC20 |           | EM24 / EC24 |           | Runtime  |
|------------------------------|-------------|-----------|-------------|-----------|-------------|-----------|----------|
| Model                        | Watts       | EM Lumens | Watts       | EM Lumens | Watts       | EM Lumens |          |
| HBLE-78L-xK                  | 10.7        | 1740      | 13.7        | 2220      | 17.0        | 2760      | 90 MINS. |

## Compatible Dimmers

| Manufacture      | Model Number | Dimming Range | Load Switching Capacity |
|------------------|--------------|---------------|-------------------------|
| Leviton          | IP710-LFZ    | 10%-100%      | 1200W                   |
| General Protecht | DMD-LED3-102 | 10%-100%      | 600W                    |

## Accessories

### Mounting Options

- HBLE-SMK-4.4WIDE = Surface-mounting kit
- LEDFHB-CMK3 = Cable-mounting kit, 3 meters long
- LEDFHB-CMK5 = Cable-mounting kit, 5 meters long

### Wire Guard

- HBLE-WG-47X23 = Wire-guard

## ELECTRICAL DATA

| Model       | Color Temperature | CRI <sup>1</sup> | Luminaire Lumens | Luminaire Watts | Lumens/Watt | Input Voltage <sup>2</sup> | Input Current (A) |      |      | Power Factor | THD <sup>3</sup> | L <sub>70</sub> Hours <sup>4</sup> |
|-------------|-------------------|------------------|------------------|-----------------|-------------|----------------------------|-------------------|------|------|--------------|------------------|------------------------------------|
|             |                   |                  |                  |                 |             |                            | 120V              | 240V | 277V |              |                  |                                    |
| HBLE-78L-4K | 4000k             | >80              | 77,545           | 523             | 148         | 120-277                    | 4.36              | 2.18 | 1.89 | >0.90        | <20%             | 130,000                            |
| HBLE-78L-5K | 5000k             | >80              | 77,601           | 511             | 152         | 120-277                    | 4.26              | 2.13 | 1.84 | >0.90        | <20%             | 130,000                            |

<sup>1</sup> Color rendering index.

<sup>2</sup> All 50-60Hz.

<sup>3</sup> Total harmonic distortion.

<sup>4</sup> L<sub>70</sub> refers to the number of hours at which lumen output declines to 70% of the initial level. L<sub>70</sub> hours are IES TM-21-11 calculated hours.

## PHOTOMETRIC DATA

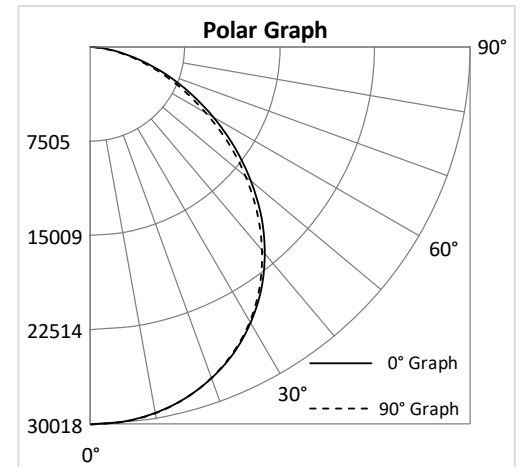
### HBLE-78L-4K

#### Luminaire Data

|                                |                            |
|--------------------------------|----------------------------|
| Description                    | Linear High Bay<br>78L, 4K |
| Total Lumens                   | 77,545                     |
| Input Wattage                  | 523                        |
| Efficacy (lm/W)                | 148                        |
| Spacing Criterion<br>(0-180°)  | 1.26                       |
| Spacing Criterion<br>(90-270°) | 1.26                       |

#### Zonal Lumen Summary

| Zone    | Lumens | %Fixt  |
|---------|--------|--------|
| 0-20°   | 10,986 | 14.2%  |
| 0-30°   | 23,282 | 30.0%  |
| 0-40°   | 37,847 | 48.8%  |
| 20-50°  | 41,313 | 53.3%  |
| 40-70°  | 34,722 | 44.8%  |
| 0-60°   | 64,352 | 83.0%  |
| 0-80°   | 76,648 | 98.8%  |
| 0-90°   | 77,503 | 99.9%  |
| 90-180° | 42     | 0.1%   |
| 0-180°  | 77,545 | 100.0% |



## Full-Body LED High Bay

### STANDARD



### FEATURES

- Available in 4000k (neutral white) and 5000k (cool white) color temperatures.\*
- Long-life LEDs provide 122,000 hours of operation with at least 70% of initial lumen output (L<sub>70</sub>).\*\*
- Delivers from 12,193 lumens (140 lumens per watt, LPW) to 60,629 lumens (142 LPW).\*
- 0-10vdc dimming drivers are standard. See list of compatible dimmers (page 2).
- Power factor > 0.90.
- Total harmonic distortion < 20%.
- Color rendering index > 80.
- Painted steel housings are standard.
- Chain-mount kits (includes v-hooks and 1/8" thick, 1-meter long chain) are standard.
- Accessories include lenses (clear & diffused), wire-guard kits, surface-mounting kits, pendant-mounting kits, and cable-mounting kits.
- Easy installation in new construction or retrofit.

\* Contact factory for other color temperatures and lumen packages.  
 \*\* L<sub>70</sub> hours are IES TM-21-11 calculated hours.



### WARRANTY & LISTINGS

- cULus listed for damp locations in ambient temperatures from -20°C to 50°C (-4°F to 122°F).
- DLC 5.0 premium approved.
- Flicker-free per IEEE1789-2015 (low risk of adverse effects of flicker at 100% light output level).
- Complies with RoHS (Restriction on Hazardous Substances) requirements.
- Complies with FCC Part 15, class A.
- Complies with IEEE C.62.41-1991, input transient protection (2.5kV).
- 5-year warranty of all electronics and housing.

### MOUNTING OPTIONS

- Chain mounting with V-hooks is standard.
- Optional surface mounting kits provides attachment to flat ceilings.\*
- Optional pendant mounting kits provides pendant attachment to junction boxes.
- Optional cable mounting kits provide suspension at two lengths (i.e., 3 & 5 meters).

\* Not compatible with 347-480V models or emergency drivers.

### ORDERING INFORMATION

Example: LEDFHB180-5K-MVDIM-V2-OS-EM20

| Model     | Color Temperature |       | Voltage |          | Series | Occupancy Sensor <sup>1,2,3</sup> |                     | Emergency Driver <sup>4,5,6</sup> |                     |
|-----------|-------------------|-------|---------|----------|--------|-----------------------------------|---------------------|-----------------------------------|---------------------|
|           | 4K                | 5000k | MVDIM   | 120-277V |        | OS                                | Passive infrared    | EM12                              | 1200 lumens         |
| LEDFHB135 | 5K                | 5000k | UNC     | 347-480V |        | ODS                               | Microwave           | EM16                              | 1600 lumens         |
| LEDFHB180 |                   |       |         |          |        | Blank                             | No occupancy sensor | EM20                              | 2000 lumens         |
| LEDFHB215 |                   |       |         |          |        |                                   |                     | EM24                              | 2400 lumens         |
| LEDFHB265 |                   |       |         |          |        |                                   |                     | EC12                              | 1200 lumens         |
| LEDFHB320 |                   |       |         |          |        |                                   |                     | EC16                              | 1600 lumens         |
| LEDFHB425 |                   |       |         |          |        |                                   |                     | EC20                              | 2000 lumens         |
|           |                   |       |         |          |        |                                   |                     | EC24                              | 2400 lumens         |
|           |                   |       |         |          |        |                                   |                     | Blank                             | No emergency driver |

<sup>1</sup> Sensors available for 120-277V models only.

<sup>2</sup> Contact factory for other sensors.

<sup>3</sup> Luminaires with the OS sensor installed have a maximum mounting height of 26 FT.

<sup>4</sup> Emergency drivers available for 120-277V models only.

<sup>5</sup> See list of emergency drivers (page 2).

<sup>6</sup> EC emergency drivers are California Energy Commission (CEC) listed.

## Compatible Emergency Drivers

| Emergency Driver Part Number | EM12 / EC12 |           | EM16 / EC16 |           | EM20 / EC20 |           | EM24 / EC24 |           | Runtime  |
|------------------------------|-------------|-----------|-------------|-----------|-------------|-----------|-------------|-----------|----------|
|                              | Watts       | EM Lumens | Watts       | EM Lumens | Watts       | EM Lumens | Watts       | EM Lumens |          |
| LEDFHB90                     | 7.8         | 1092      | 10.7        | 1498      | 13.7        | 1918      | 17.0        | 2380      | 90 MINS. |
| LEDFHB135                    | 7.8         | 1084      | 10.7        | 1487      | 13.7        | 1904      | 17.0        | 2363      |          |
| LEDFHB180                    | 7.8         | 1092      | 10.7        | 1498      | 13.7        | 1918      | 17.0        | 2380      |          |
| LEDFHB215                    | 7.8         | 1100      | 10.7        | 1509      | 13.7        | 1932      | 17.0        | 2397      |          |
| LEDFHB265                    | 7.8         | 1100      | 10.7        | 1509      | 13.7        | 1932      | 17.0        | 2397      |          |
| LEDFHB320                    | 7.8         | 1076      | 10.7        | 1477      | 13.7        | 1891      | 17.0        | 2346      |          |
| LEDFHB425                    | 7.8         | 1084      | 10.7        | 1487      | 13.7        | 1904      | 17.0        | 2363      |          |

## Compatible Dimmers

| Manufacture      | Model Number | Dimming Range | Load Switching Capacity |
|------------------|--------------|---------------|-------------------------|
| Lutron           | DVSTV        | 10%-100%      | 450W                    |
| Leviton          | IP710-LFZ    | 10%-100%      | 1200W                   |
| General Protecht | DMD-LED3-102 | 10%-100%      | 600W                    |

## Accessories

### Lens

|                      |   |                                 |
|----------------------|---|---------------------------------|
| LEDFHB-CRLENS-12X23  | = | Clear lens – 90W, 135W & 180W   |
| LEDFHB-CRLENS-17X23  | = | Clear lens – 215W               |
| LEDFHB-CRLENS-12X45  | = | Clear lens – 265W & 320W        |
| LEDFHB-CRLENS-17X45  | = | Clear lens – 425W               |
| LEDFHB-DIFLENS-12X23 | = | Diffuse lens – 90W, 135W & 180W |
| LEDFHB-DIFLENS-17X23 | = | Diffuse lens – 215W             |
| LEDFHB-DIFLENS-12X45 | = | Diffuse lens – 265W & 320W      |
| LEDFHB-DIFLENS-17X45 | = | Diffuse lens – 425W             |

### Wire Guard

|                 |   |                                   |
|-----------------|---|-----------------------------------|
| LEDFHB-WG-12X23 | = | Wire-guard kit – 90W, 135W & 180W |
| LEDFHB-WG-17X23 | = | Wire-guard kit – 215W             |
| LEDFHB-WG-12X45 | = | Wire-guard kit – 265W & 320W      |
| LEDFHB-WG-17X45 | = | Wire-guard kit – 425W             |

### Mounting Options

|                       |   |   |
|-----------------------|---|---|
| LEDFHB-SMK-12.625WIDE | = | Surface-mount kit – 90W, 135W, 180W, 265W & 320W        |
| LEDFHB-SMK-17.25WIDE  | = | Surface-mount kit – 215W & 425W                         |
| LEDFHB-PMK            | = | Pendant-mount kit – 90W, 135W, 180W, 265W, 320W, & 425W |
| LEDFHB-PMK8           | = | Pendant-mount kit – 215W                                |
| LEDFHB-CMK3           | = | Cable-mounting kit, 3 meters long                       |
| LEDFHB-CMK5           | = | Cable-mounting kit, 5 meters long                       |

## ELECTRICAL DATA

| Model                  | Color Temp. | CRI <sup>1</sup> | Luminaire Lumens | Luminaire Watts | Lumens/Watt | Input Voltage <sup>2</sup> | Input Current (A) |      |      | Power Factor | THD <sup>3</sup> | L <sub>70</sub> Hours <sup>4</sup> |
|------------------------|-------------|------------------|------------------|-----------------|-------------|----------------------------|-------------------|------|------|--------------|------------------|------------------------------------|
|                        |             |                  |                  |                 |             |                            | 120V              | 240V | 277V |              |                  |                                    |
| LED FHB90-4K-MVDIM-V2  | 4000k       | >80              | 12,193           | 87              | 140         | 120-277                    | 0.73              | 0.36 | 0.31 | >90%         | <20%             | 122,000                            |
| LED FHB90-5K-MVDIM-V2  | 5000k       | >80              | 12,394           | 87              | 142         | 120-277                    | 0.73              | 0.36 | 0.31 | >90%         | <20%             | 122,000                            |
| LED FHB135-4K-MVDIM-V2 | 4000k       | >80              | 18,401           | 132             | 139         | 120-277                    | 1.10              | 0.55 | 0.48 | >90%         | <20%             | 122,000                            |
| LED FHB135-5K-MVDIM-V2 | 5000k       | >80              | 18,564           | 132             | 141         | 120-277                    | 1.10              | 0.55 | 0.48 | >90%         | <20%             | 122,000                            |
| LED FHB180-4K-MVDIM-V2 | 4000k       | >80              | 24,457           | 175             | 140         | 120-277                    | 1.46              | 0.73 | 0.63 | >90%         | <20%             | 122,000                            |
| LED FHB180-5K-MVDIM-V2 | 5000k       | >80              | 24,603           | 175             | 141         | 120-277                    | 1.46              | 0.73 | 0.63 | >90%         | <20%             | 122,000                            |
| LED FHB215-4K-MVDIM-V2 | 4000k       | >80              | 29,929           | 213             | 141         | 120-277                    | 1.78              | 0.89 | 0.77 | >90%         | <20%             | 122,000                            |
| LED FHB215-5K-MVDIM-V2 | 5000k       | >80              | 30,356           | 213             | 143         | 120-277                    | 1.78              | 0.89 | 0.77 | >90%         | <20%             | 122,000                            |
| LED FHB265-4K-MVDIM-V2 | 4000k       | >80              | 37,590           | 267             | 141         | 120-277                    | 2.23              | 1.11 | 0.96 | >90%         | <20%             | 122,000                            |
| LED FHB265-5K-MVDIM-V2 | 5000k       | >80              | 37,996           | 267             | 142         | 120-277                    | 2.23              | 1.11 | 0.96 | >90%         | <20%             | 122,000                            |
| LED FHB320-4K-MVDIM-V2 | 4000k       | >80              | 44,235           | 320             | 138         | 120-277                    | 2.67              | 1.33 | 1.16 | >90%         | <20%             | 122,000                            |
| LED FHB320-5K-MVDIM-V2 | 5000k       | >80              | 44,460           | 320             | 139         | 120-277                    | 2.67              | 1.33 | 1.16 | >90%         | <20%             | 122,000                            |
| LED FHB425-4K-MVDIM-V2 | 4000k       | >80              | 59,278           | 428             | 139         | 120-277                    | 3.57              | 1.78 | 1.55 | >90%         | <20%             | 122,000                            |
| LED FHB425-5K-MVDIM-V2 | 5000k       | >80              | 60,629           | 428             | 142         | 120-277                    | 3.57              | 1.78 | 1.55 | >90%         | <20%             | 122,000                            |

<sup>1</sup> Color rendering index.

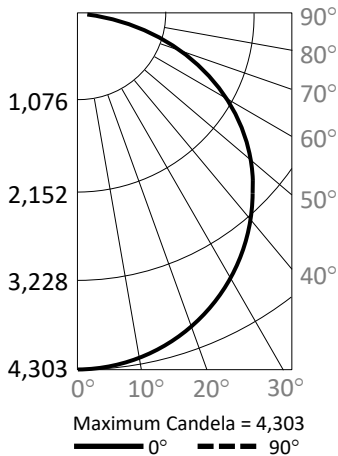
<sup>2</sup> All 50-60Hz.

<sup>3</sup> Total harmonic distortion.

<sup>4</sup> L<sub>70</sub> refers to the number of hours at which lumen output declines to 70% of the initial level. L<sub>70</sub> hours are IES TM-21-11 calculated hours.

## PHOTOMETRIC DATA

### LED FHB90-5K-MVDIM-V2 (12,394 Lumens)



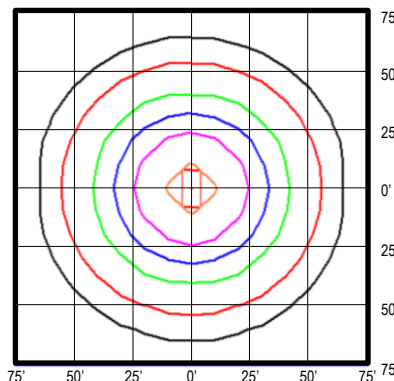
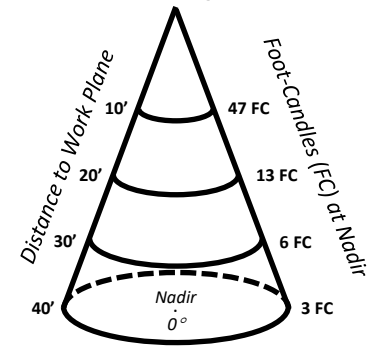
#### Candlepower Summary

|     | 0°    | 90°   |
|-----|-------|-------|
| 0°  | 4,303 | 4,303 |
| 10° | 4,274 | 4,302 |
| 20° | 4,110 | 4,154 |
| 30° | 3,767 | 3,822 |
| 40° | 3,305 | 3,385 |
| 50° | 2,713 | 2,841 |
| 60° | 1,987 | 2,179 |
| 70° | 1,176 | 1,045 |
| 80° | 385   | 268   |
| 90° | 0     | 0     |

#### Zonal Lumen Summary

| Zone       | Lumens | % Fixture |
|------------|--------|-----------|
| 0° – 10°   | 406    | 3.3%      |
| 0° – 20°   | 1,582  | 12.8%     |
| 0° – 30°   | 3,397  | 27.4%     |
| 0° – 40°   | 5,614  | 45.3%     |
| 0° – 50°   | 7,947  | 64.1%     |
| 0° – 60°   | 10,069 | 81.2%     |
| 0° – 70°   | 11,644 | 94.0%     |
| 0° – 80°   | 12,313 | 99.3%     |
| 0° – 90°   | 12,394 | 100.0%    |
| 90° – 180° | 0      | 0.0%      |
| 0° – 180°  | 12,394 | 100.0%    |

#### Cone of Light



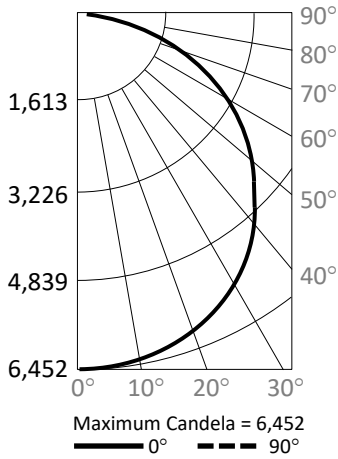
- Foot Candles**
- 5.0
  - 2.0
  - 1.0
  - 0.5
  - 0.2
  - 0.1

#### Notes:

- Isofootcandle plots depict initial foot-candles at grade.
- Gridlines represent units of mounting height of 25 feet.

## PHOTOMETRIC DATA

### LED FHB135-5K-MVDIM-V2 (18,564 Lumens)

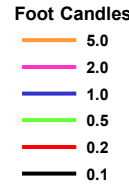
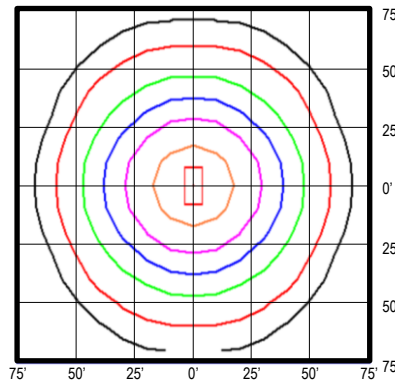
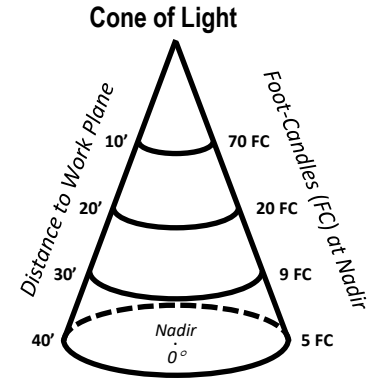


#### Candlepower Summary

|     | 0°    | 90°   |
|-----|-------|-------|
| 0°  | 6,452 | 6,452 |
| 10° | 6,398 | 6,438 |
| 20° | 6,143 | 6,215 |
| 30° | 5,642 | 5,845 |
| 40° | 4,948 | 5,133 |
| 50° | 4,066 | 4,265 |
| 60° | 3,003 | 3,257 |
| 70° | 1,772 | 1,305 |
| 80° | 580   | 300   |
| 90° | 0     | 0     |

#### Zonal Lumen Summary

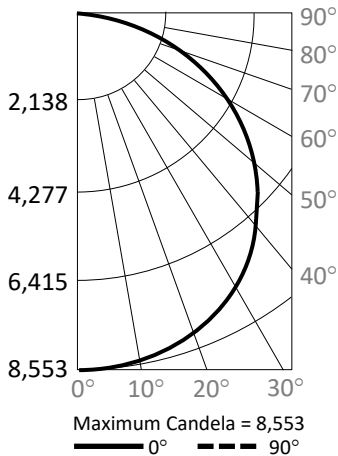
| Zone       | Lumens | % Fixture |
|------------|--------|-----------|
| 0° – 10°   | 610    | 3.3%      |
| 0° – 20°   | 2,377  | 12.8%     |
| 0° – 30°   | 5,110  | 27.5%     |
| 0° – 40°   | 8,470  | 45.6%     |
| 0° – 50°   | 11,998 | 64.6%     |
| 0° – 60°   | 15,214 | 82.0%     |
| 0° – 70°   | 17,465 | 94.1%     |
| 0° – 80°   | 18,441 | 99.3%     |
| 0° – 90°   | 18,564 | 100.0%    |
| 90° – 180° | 0      | 0.0%      |
| 0° – 180°  | 18,564 | 100.0%    |



#### Notes:

- Isofootcandle plots depict initial foot-candles at grade.
- Gridlines represent units of mounting height of 25 feet.

### LED FHB180-5K-MVDIM-V2 (24,603 Lumens)

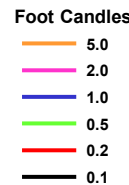
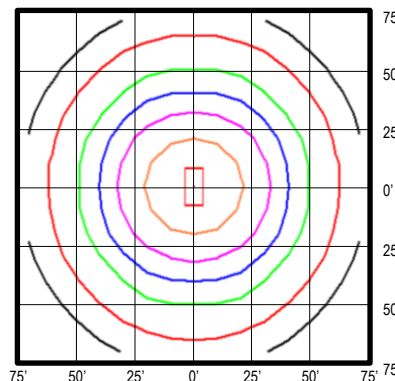
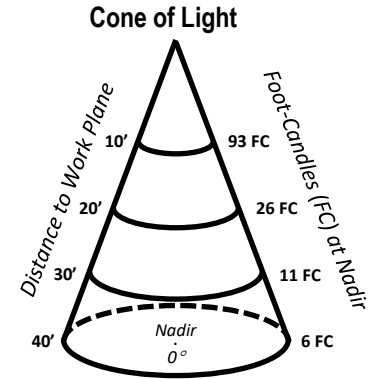


#### Candlepower Summary

|     | 0°    | 90°   |
|-----|-------|-------|
| 0°  | 8,553 | 8,553 |
| 10° | 8,487 | 8,480 |
| 20° | 8,173 | 8,255 |
| 30° | 7,487 | 7,759 |
| 40° | 6,581 | 6,870 |
| 50° | 5,425 | 5,678 |
| 60° | 3,993 | 3,802 |
| 70° | 2,383 | 2,084 |
| 80° | 808   | 346   |
| 90° | 0     | 0     |

#### Zonal Lumen Summary

| Zone       | Lumens | % Fixture |
|------------|--------|-----------|
| 0° – 10°   | 809    | 3.3%      |
| 0° – 20°   | 3,155  | 12.8%     |
| 0° – 30°   | 6,787  | 27.6%     |
| 0° – 40°   | 11,259 | 45.8%     |
| 0° – 50°   | 15,964 | 64.9%     |
| 0° – 60°   | 20,185 | 82.0%     |
| 0° – 70°   | 23,093 | 93.9%     |
| 0° – 80°   | 24,441 | 99.3%     |
| 0° – 90°   | 24,603 | 100.0%    |
| 90° – 180° | 0      | 0.0%      |
| 0° – 180°  | 24,603 | 100.0%    |

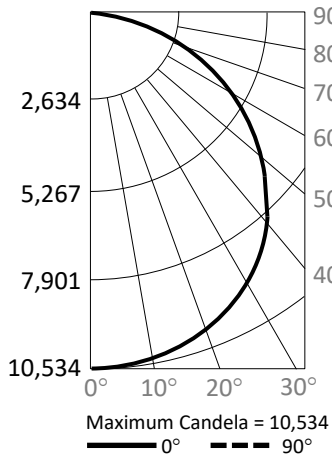


#### Notes:

- Isofootcandle plots depict initial foot-candles at grade.
- Gridlines represent units of mounting height of 25 feet.

## PHOTOMETRIC DATA

### LED FHB215-5K-MVDIM-V2 (30,356 Lumens)

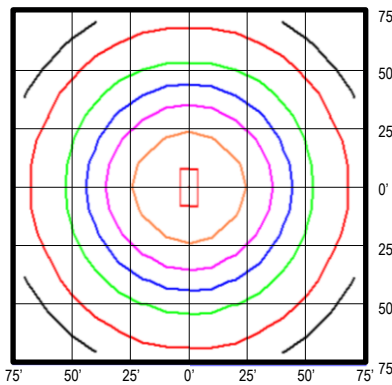
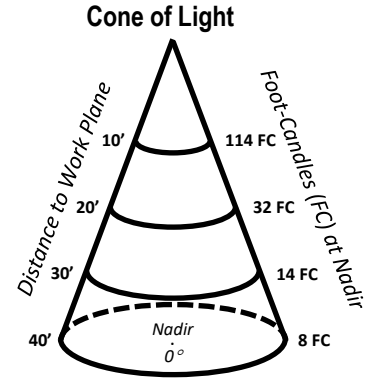


#### Candlepower Summary

|     | 0°     | 90°    |
|-----|--------|--------|
| 0°  | 10,534 | 10,534 |
| 10° | 10,446 | 10,436 |
| 20° | 10,036 | 10,119 |
| 30° | 9,191  | 9,493  |
| 40° | 8,048  | 8,416  |
| 50° | 6,605  | 7,015  |
| 60° | 4,857  | 4,897  |
| 70° | 2,885  | 2,838  |
| 80° | 972    | 560    |
| 90° | 0      | 0      |

#### Zonal Lumen Summary

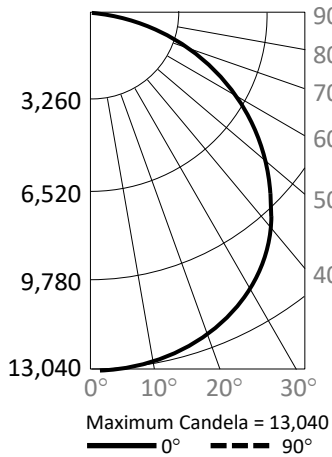
| Zone       | Lumens | % Fixture |
|------------|--------|-----------|
| 0° - 10°   | 993    | 3.3%      |
| 0° - 20°   | 3,870  | 12.7%     |
| 0° - 30°   | 8,310  | 27.4%     |
| 0° - 40°   | 13,770 | 45.4%     |
| 0° - 50°   | 19,513 | 64.3%     |
| 0° - 60°   | 24,683 | 81.3%     |
| 0° - 70°   | 28,355 | 93.4%     |
| 0° - 80°   | 30,118 | 99.2%     |
| 0° - 90°   | 30,356 | 100.0%    |
| 90° - 180° | 0      | 0.0%      |
| 0° - 180°  | 30,356 | 100.0%    |



#### Notes:

- Isofootcandle plots depict initial foot-candles at grade.
- Gridlines represent units of mounting height of 25 feet.

### LED FHB265-5K-MVDIM-V2 (37,996 Lumens)

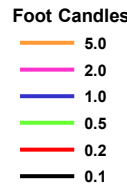
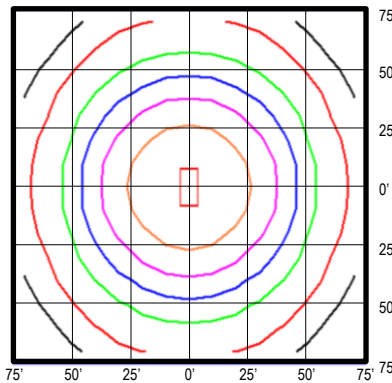
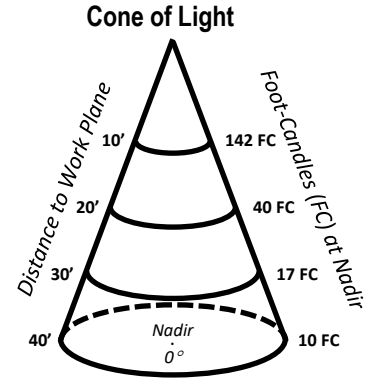


#### Candlepower Summary

|     | 0°     | 90°    |
|-----|--------|--------|
| 0°  | 13,040 | 13,040 |
| 10° | 12,940 | 12,943 |
| 20° | 12,450 | 12,545 |
| 30° | 11,488 | 11,728 |
| 40° | 10,159 | 10,193 |
| 50° | 8,449  | 8,458  |
| 60° | 6,305  | 5,687  |
| 70° | 3,864  | 2,705  |
| 80° | 1,376  | 592    |
| 90° | 0      | 0      |

#### Zonal Lumen Summary

| Zone       | Lumens | % Fixture |
|------------|--------|-----------|
| 0° - 10°   | 1,234  | 3.2%      |
| 0° - 20°   | 4,813  | 12.7%     |
| 0° - 30°   | 10,349 | 27.2%     |
| 0° - 40°   | 17,160 | 45.2%     |
| 0° - 50°   | 24,351 | 64.1%     |
| 0° - 60°   | 30,907 | 81.3%     |
| 0° - 70°   | 35,544 | 93.5%     |
| 0° - 80°   | 37,692 | 99.2%     |
| 0° - 90°   | 37,991 | 100.0%    |
| 90° - 180° | 5      | 0.0%      |
| 0° - 180°  | 37,996 | 100.0%    |



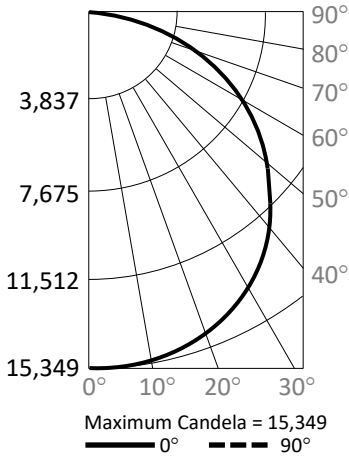
#### Notes:

- Isofootcandle plots depict initial foot-candles at grade.
- Gridlines represent units of mounting height of 25 feet.



## PHOTOMETRIC DATA

### LED FHB320-5K-MVDIM-V2 (44,460 Lumens)

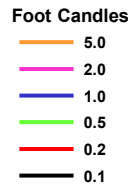
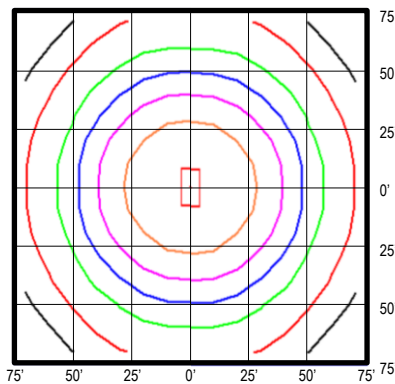
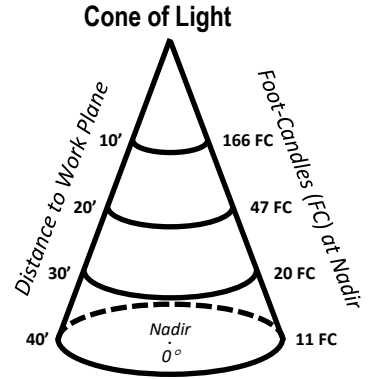


#### Candlepower Summary

|     | 0°     | 90°    |
|-----|--------|--------|
| 0°  | 15,349 | 15,349 |
| 10° | 15,202 | 15,293 |
| 20° | 14,607 | 14,738 |
| 30° | 13,474 | 13,773 |
| 40° | 11,901 | 12,003 |
| 50° | 9,818  | 10,013 |
| 60° | 7,312  | 6,602  |
| 70° | 4,456  | 3,264  |
| 80° | 1,578  | 701    |
| 90° | 0      | 0      |

#### Zonal Lumen Summary

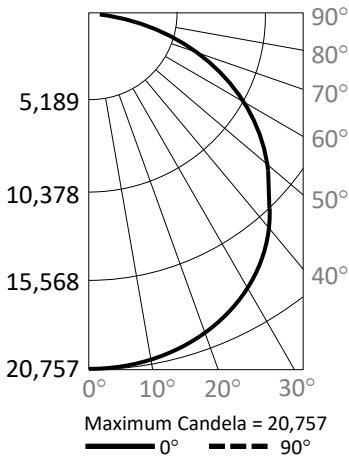
| Zone       | Lumens | % Fixture |
|------------|--------|-----------|
| 0° - 10°   | 1,453  | 3.3%      |
| 0° - 20°   | 5,665  | 12.7%     |
| 0° - 30°   | 12,168 | 27.4%     |
| 0° - 40°   | 20,153 | 45.3%     |
| 0° - 50°   | 28,564 | 64.2%     |
| 0° - 60°   | 36,216 | 81.5%     |
| 0° - 70°   | 41,604 | 93.6%     |
| 0° - 80°   | 44,106 | 99.2%     |
| 0° - 90°   | 44,456 | 100.0%    |
| 90° - 180° | 4      | 0.0%      |
| 0° - 180°  | 44,460 | 100.0%    |



#### Notes:

- Isofootcandle plots depict initial foot-candles at grade.
- Gridlines represent units of mounting height of 25 feet.

### LED FHB425-5K-MVDIM-V2 (60,629 Lumens)

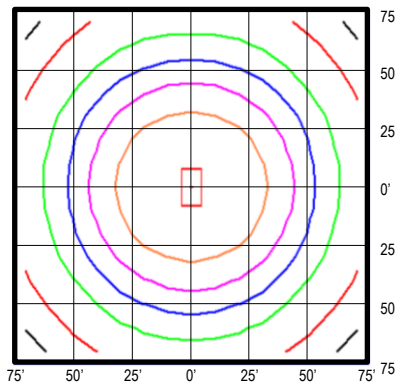
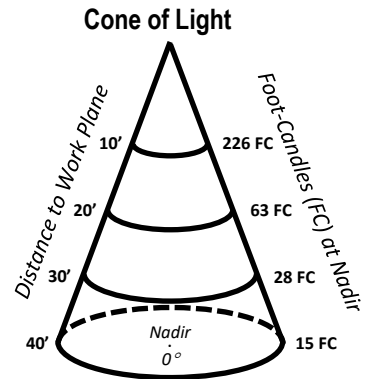


#### Candlepower Summary

|     | 0°     | 90°    |
|-----|--------|--------|
| 0°  | 20,757 | 20,757 |
| 10° | 20,548 | 20,583 |
| 20° | 19,742 | 19,889 |
| 30° | 18,239 | 18,567 |
| 40° | 16,086 | 16,566 |
| 50° | 13,307 | 13,877 |
| 60° | 9,917  | 9,531  |
| 70° | 5,987  | 5,317  |
| 80° | 2,089  | 1,138  |
| 90° | 0      | 30     |

#### Zonal Lumen Summary

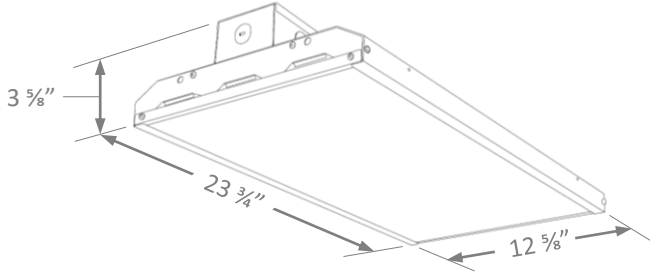
| Zone       | Lumens | % Fixture |
|------------|--------|-----------|
| 0° - 10°   | 1,962  | 3.2%      |
| 0° - 20°   | 7,645  | 12.6%     |
| 0° - 30°   | 16,413 | 27.1%     |
| 0° - 40°   | 27,217 | 44.9%     |
| 0° - 50°   | 38,652 | 63.8%     |
| 0° - 60°   | 49,008 | 80.8%     |
| 0° - 70°   | 56,412 | 93.0%     |
| 0° - 80°   | 60,036 | 99.0%     |
| 0° - 90°   | 60,600 | 100.0%    |
| 90° - 180° | 29     | 0.0%      |
| 0° - 180°  | 60,629 | 100.0%    |



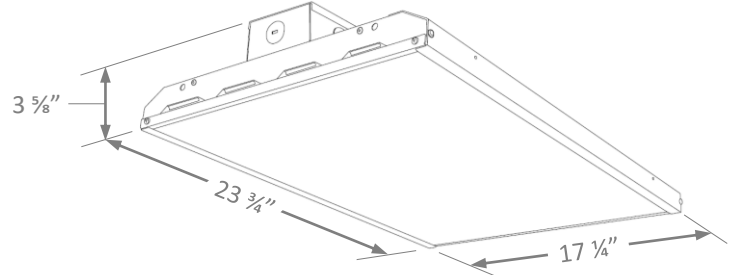
#### Notes:

- Isofootcandle plots depict initial foot-candles at grade.
- Gridlines represent units of mounting height of 25 feet.

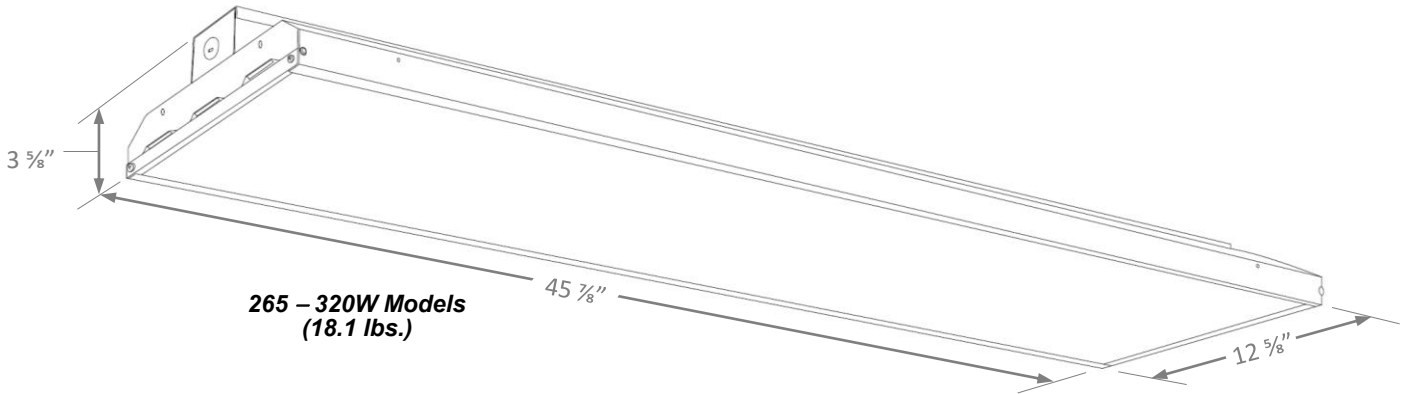
## DIMENSIONS



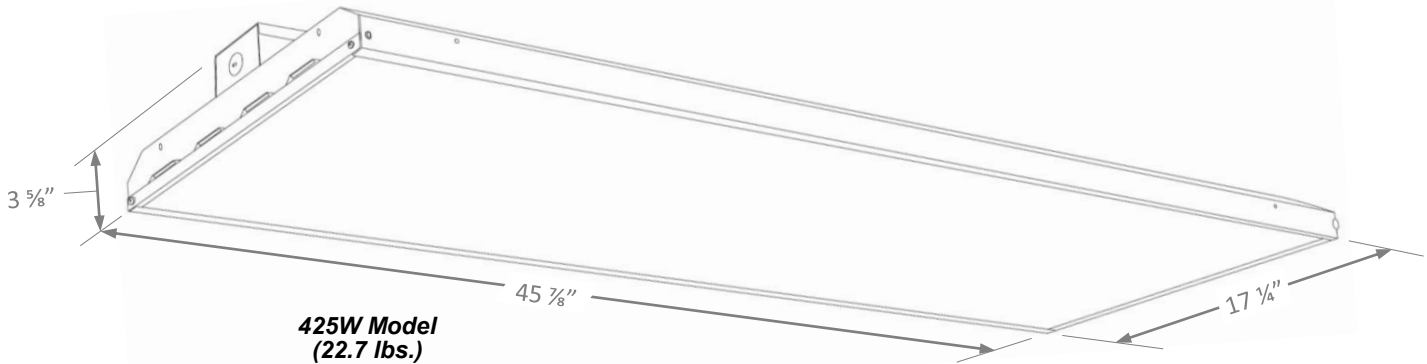
**90 – 180W Models**  
**(9.9 – 11.0 lbs.)**



**215W Model**  
**(14.0 lbs.)**



**265 – 320W Models**  
**(18.1 lbs.)**



**425W Model**  
**(22.7 lbs.)**

## LED Linear High Bay



### STANDARD



The LEDHB-WN series is a premium-performance, Linear LED high bay luminaire. It is designed to illuminate a wide variety of settings, including commercial, industrial & retail settings such as warehouses, manufacturing plants, sporting venues and big-box retailers. With a painted, steel housing, the LEDHB-WN provides high levels of durability and performance. High-efficacy, long-life LEDs provide both energy and maintenance cost savings compared to traditional, HID high bays.

### FEATURES

- Available in 4000k (neutral white) and 5000k (cool white) color temperatures.\*
- Long-life LEDs provide 109,000 hours of operation with at least 70% of initial lumen output (L<sub>70</sub>).\*\*
- The 100W model delivers 13,634 lumens (136 lumens per watt, LPW) at 4000k, and 13,709 lumens (137 LPW) at 5000k.\*
- The 150W model delivers 20,482 lumens (137 LPW) at 4000k, and 20,603 lumens (137 LPW) at 5000k.\*
- The 200W model delivers 27,687 lumens (141 LPW) at 4000k, and 27,736 lumens (142 LPW) at 5000k.\*
- Universal 120-347 AC voltage (50-60Hz) is standard.
- 0-10vdc dimming drivers are standard.
- Power factor > 0.90.
- Total harmonic distortion < 20%.
- Color rendering index > 80.
- Painted steel housing.
- Easy installation in new construction or retrofit.
- Chain-mount kits (includes v-hooks and 1/8" thick, 1-meter long chain) are standard.
- Options include lenses (clear & diffused), wire-guard kits, pendant-mounting kits, and cable-mounting kits.

\* Contact factory for other color temperatures and lumen packages.  
 \*\* L<sub>70</sub> hours are IES TM-21-11 calculated hours.

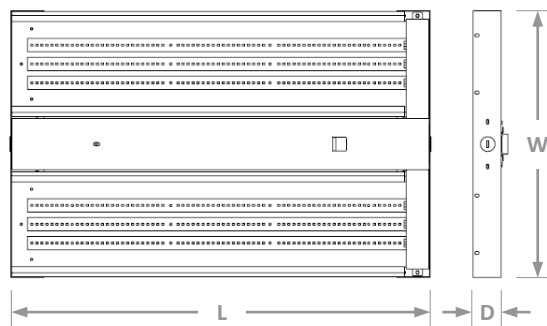
### WARRANTY & LISTINGS

- cETLus listed for damp locations in ambient temperatures from -20°C to 50°C (-4°F to 122°F).
- DLC premium approved.
- Flicker-free per IEEE1789-2015 (no observable adverse effects of flicker at 100% light output level).
- Complies with RoHS (Restriction on Hazardous Substances) requirements
- Complies with FCC Part 15, class A.
- Complies with IEEE C.62.41-1991, input transient protection (2kV).
- 5-year warranty of all electronics and housing.

### MOUNTING OPTIONS

- Chain mounting with V-hooks is standard.
- Optional pendant mounting kit provides pendant attachment to 1/2" rigid conduit.
- Optional cable mounting kits provide suspension at two lengths (i.e., 3 & 5 meters).

### DIMENSIONS



| Model | Length  | Width   | Depth  | Weight    |
|-------|---------|---------|--------|-----------|
| 100W  | 24 3/4" | 15 3/4" | 1 5/8" | 7.2 lbs.  |
| 150W  | 24 3/4" | 15 3/4" | 1 5/8" | 8.4 lbs.  |
| 200W  | 47 5/8" | 15 3/4" | 1 5/8" | 13.6 lbs. |

### ORDERING INFORMATION

**Example:** LEDHB100-4K-MVDIM10V + LEDHB100/150-LENSK-WN + LEDHB100/150-WGK-WN + LEDHB-PMK-WN  
 (100 watt high bay, 4000k, 0-10vdc dimming, + diffuse lens + wire guard + pendant-mount kit)

| Model                   | Luminaire Lumens | Luminaire Watts | Lumens Per Watt | Color Temperature | Options (Order Separately)                      |
|-------------------------|------------------|-----------------|-----------------|-------------------|---|
| LEDHB100-4K-MVDIM10V-WN | 13,634           | 100             | 136             | 4K = 4000k        | LEDHB100/150-LENSK-WN = Diffuse lens, 100W/150W |
| LEDHB100-5K-MVDIM10V-WN | 13,709           | 100             | 137             | 5K = 5000k        | LEDHB100/150-WGK-WN = Wire-guard kit, 100W/150W |
| LEDHB150-4K-MVDIM10V-WN | 20,482           | 150             | 137             | 4K = 4000k        | LEDHB200-LENSK-WN = Diffuse lens, 200W          |
| LEDHB150-5K-MVDIM10V-WN | 20,603           | 150             | 137             | 5K = 5000k        | LEDHB200-WGK-WN = Wire-guard kit, 200W          |
| LEDHB200-4K-MVDIM10V-WN | 27,687           | 196             | 141             | 4K = 4000k        | LEDHB-PMK-WN = Pendant-mount kit                |
| LEDHB200-5K-MVDIM10V-WN | 27,736           | 196             | 142             | 5K = 5000k        | LEDFHB-CMK3 = Cable-mounting kit, 3 meters      |
|                         |                  |                 |                 |                   | LEDFHB-CMK5 = Cable-mounting kit, 5 meters      |

## ELECTRICAL DATA

| Model                   | Color Temp. | CRI <sup>1</sup> | Luminaire Lumens | Luminaire Watts | Lumens/Watt | Input Voltage <sup>2</sup> | Input Current (A) |      |      | Power Factor | THD <sup>3</sup> | L <sub>70</sub> Hours <sup>4</sup> |
|-------------------------|-------------|------------------|------------------|-----------------|-------------|----------------------------|-------------------|------|------|--------------|------------------|------------------------------------|
|                         |             |                  |                  |                 |             |                            | 120V              | 277V | 347V |              |                  |                                    |
| LEDHB100-4K-MVDIM10V-WN | 4000k       | >80              | 13,634           | 100             | 136         | 120-347                    | 0.83              | 0.36 | 0.29 | >90%         | <20%             | 109,000                            |
| LEDHB100-5K-MVDIM10V-WN | 5000k       | >80              | 13,709           | 100             | 137         | 120-347                    | 0.83              | 0.36 | 0.29 | >90%         | <20%             | 109,000                            |
| LEDHB150-4K-MVDIM10V-WN | 4000k       | >80              | 20,482           | 150             | 137         | 120-347                    | 1.25              | 0.54 | 0.43 | >90%         | <20%             | 109,000                            |
| LEDHB150-5K-MVDIM10V-WN | 5000k       | >80              | 20,603           | 150             | 137         | 120-347                    | 1.25              | 0.54 | 0.43 | >90%         | <20%             | 109,000                            |
| LEDHB200-4K-MVDIM10V-WN | 4000k       | >80              | 27,687           | 196             | 141         | 120-347                    | 1.63              | 0.71 | 0.56 | >90%         | <20%             | 109,000                            |
| LEDHB200-5K-MVDIM10V-WN | 5000k       | >80              | 27,736           | 196             | 142         | 120-347                    | 1.63              | 0.71 | 0.56 | >90%         | <20%             | 109,000                            |

<sup>1</sup> Color rendering index.

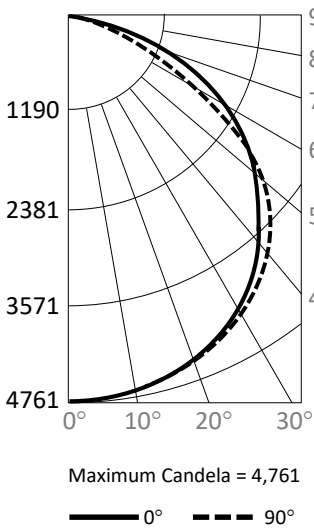
<sup>2</sup> All 50-60Hz.

<sup>3</sup> Total harmonic distortion.

<sup>4</sup> L<sub>70</sub> refers to the number of hours at which lumen output declines to 70% of the initial level. L<sub>70</sub> hours are IES TM-21-11 calculated hours.

## PHOTOMETRIC DATA

### LEDHB100-4K-MVDIM10V-WN (13,634 Lumens)



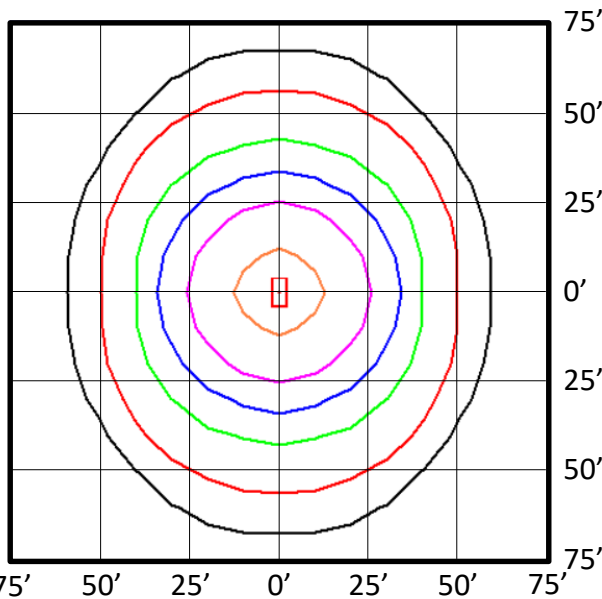
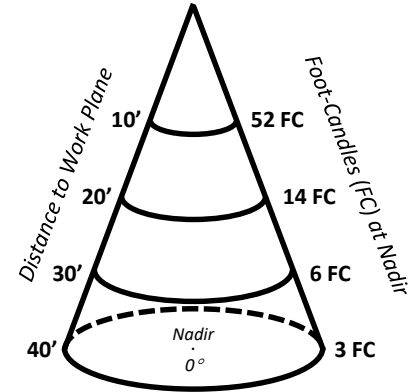
#### Candlepower Summary

|     | 0°    | 90°   |
|-----|-------|-------|
| 0°  | 4,758 | 4,758 |
| 10° | 4,695 | 4,704 |
| 20° | 4,464 | 4,521 |
| 30° | 4,105 | 4,213 |
| 40° | 3,594 | 3,776 |
| 50° | 2,991 | 3,206 |
| 60° | 2,250 | 1,644 |
| 70° | 1,379 | 807   |
| 80° | 465   | 141   |
| 90° | 12    | 0     |

#### Zonal Lumen Summary

| Zone       | Lumens | % Fixture |
|------------|--------|-----------|
| 0° – 10°   | 454    | 3.3%      |
| 0° – 20°   | 1,764  | 12.9%     |
| 0° – 30°   | 3,776  | 27.7%     |
| 0° – 40°   | 6,251  | 45.8%     |
| 0° – 50°   | 8,887  | 65.2%     |
| 0° – 60°   | 11,254 | 82.5%     |
| 0° – 70°   | 12,825 | 94.1%     |
| 0° – 80°   | 13,515 | 99.1%     |
| 0° – 90°   | 13,620 | 99.9%     |
| 90° – 180° | 14     | 0.1%      |
| 0° – 180°  | 13,634 | 100.0%    |

#### Cone of Light

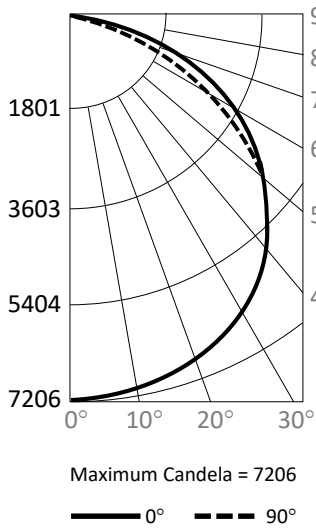


#### Notes:

- Isofootcandle plots depict initial footcandles at grade.
- Gridlines represent units of mounting height of 25 feet.

## PHOTOMETRIC DATA

### LEDHB150-4K-MVDIM10V-WN (20,482 Lumens)



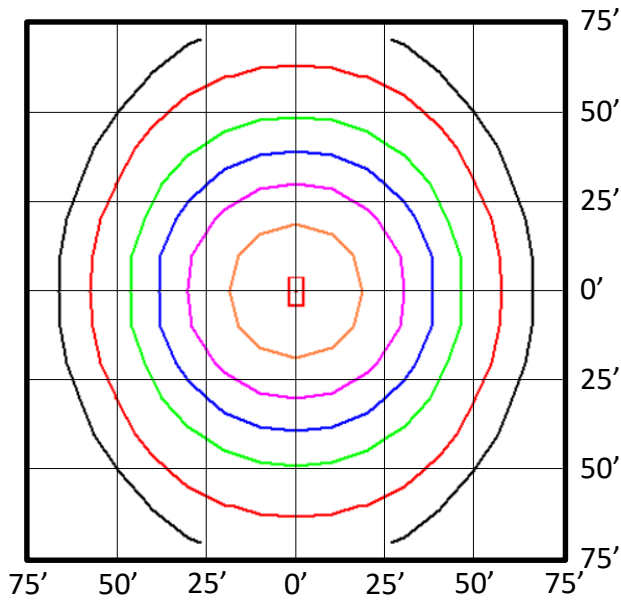
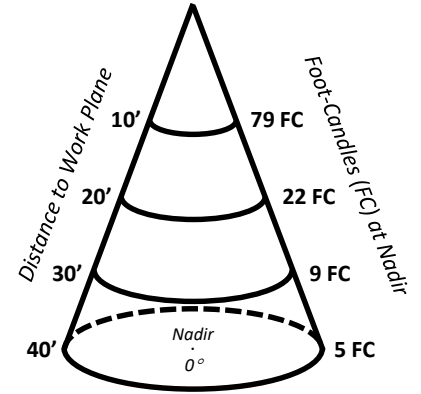
#### Candlepower Summary

|     | 0°    | 90°   |
|-----|-------|-------|
| 0°  | 7,204 | 7,204 |
| 10° | 7,140 | 7,116 |
| 20° | 6,892 | 6,820 |
| 30° | 6,333 | 6,341 |
| 40° | 5,565 | 5,673 |
| 50° | 4,607 | 4,809 |
| 60° | 3,435 | 2,877 |
| 70° | 2,135 | 1,153 |
| 80° | 749   | 195   |
| 90° | 6     | 1     |

#### Zonal Lumen Summary

| Zone       | Lumens | % Fixture |
|------------|--------|-----------|
| 0° – 10°   | 672    | 3.3%      |
| 0° – 20°   | 2,621  | 12.8%     |
| 0° – 30°   | 5,630  | 27.5%     |
| 0° – 40°   | 9,336  | 45.6%     |
| 0° – 50°   | 13,286 | 64.9%     |
| 0° – 60°   | 16,870 | 82.4%     |
| 0° – 70°   | 19,317 | 94.3%     |
| 0° – 80°   | 20,307 | 99.1%     |
| 0° – 90°   | 20,461 | 99.9%     |
| 90° – 180° | 21     | 0.1%      |
| 0° – 180°  | 20,482 | 100.0%    |

#### Cone of Light

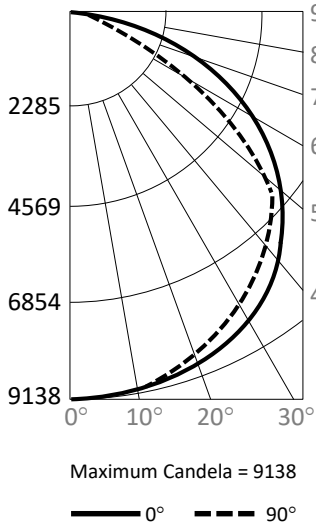


#### Notes:

- Isofootcandle plots depict initial footcandles at grade.
- Gridlines represent units of mounting height of 25 feet.

## PHOTOMETRIC DATA

LEDHB200-4K-MVDIM10V-WN (27,687 Lumens)



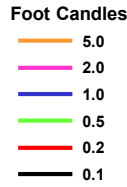
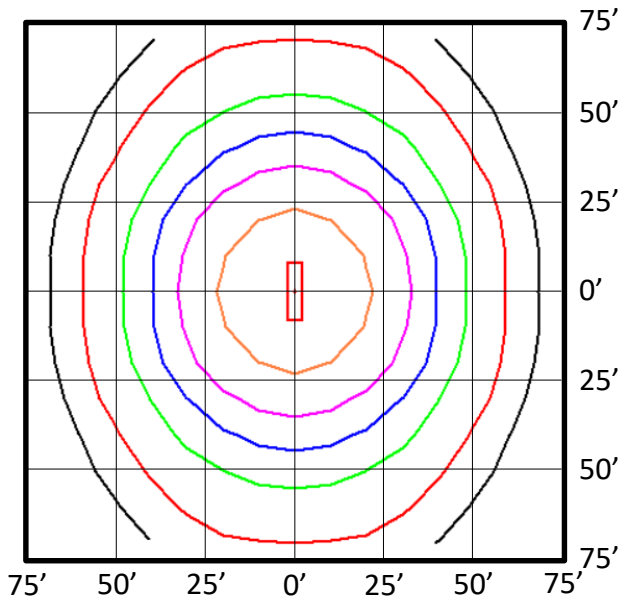
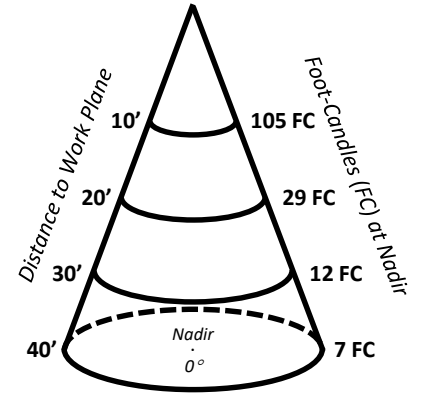
### Candlepower Summary

|     | 0°    | 90°   |
|-----|-------|-------|
| 0°  | 9,135 | 9,135 |
| 10° | 9,075 | 8,972 |
| 20° | 8,825 | 8,600 |
| 30° | 8,361 | 7,999 |
| 40° | 7,607 | 7,154 |
| 50° | 6,497 | 5,710 |
| 60° | 5,055 | 3,128 |
| 70° | 3,323 | 1,391 |
| 80° | 1,317 | 272   |
| 90° | 13    | 1     |

### Zonal Lumen Summary

| Zone       | Lumens | % Fixture |
|------------|--------|-----------|
| 0° – 10°   | 875    | 3.2%      |
| 0° – 20°   | 3,411  | 12.3%     |
| 0° – 30°   | 7,355  | 26.6%     |
| 0° – 40°   | 12,295 | 44.4%     |
| 0° – 50°   | 17,653 | 63.8%     |
| 0° – 60°   | 22,516 | 81.3%     |
| 0° – 70°   | 25,879 | 93.5%     |
| 0° – 80°   | 27,398 | 99.0%     |
| 0° – 90°   | 27,662 | 99.9%     |
| 90° – 180° | 25     | 0.1%      |
| 0° – 180°  | 27,687 | 100.0%    |

### Cone of Light



### Notes:

- Isofootcandle plots depict initial footcandles at grade.
- Gridlines represent units of mounting height of 25 feet.

## Vapor Tight Luminaires Kelvin Field Selectable

### STANDARD



### FEATURES

- Field selectable color temperatures include 3500k, 4000k and 5000k.
- Long-life LEDs provide 137,000 hours of operation with at least 70% of initial lumen output ( $L_{70}$ ), and 42,000 hours with at least 90% of initial lumen output ( $L_{90}$ ).
- LED chromaticity based on  $\leq 5$ -step ANSI quadrangles.
- LED color maintenance  $\leq 0.002$  chromaticity shift ( $\Delta u'v'$ ) over the initial 6,000 hours of operation.
- Provides 6,000, 14,000, or 20,000 nominal lumens using 42, 100, or 150 nominal watts.
- Universal 120-277 AC voltage (50-60Hz) is standard.
- 0-10vdc dimming drivers are standard.
- Power factor  $> 0.90$ .
- Total harmonic distortion  $< 20\%$ .
- Color rendering index  $> 80$ .
- Polycarbonate housing and frosted lenses are standard.
- Easy installation in new construction or retrofit.

\* Contact factory for other color temperatures and lumen packages.  
\*\*  $L_{70}$  &  $L_{90}$  hours are IES TM-21-11 calculated hours.

### ORDERING INFORMATION

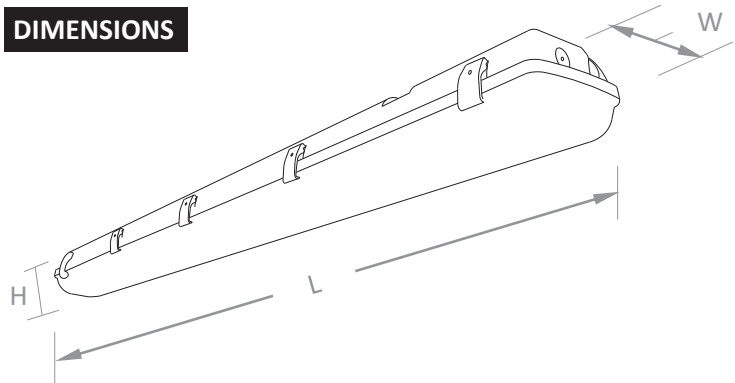
Example: VT-14L-KFS



### WARRANTY & LISTINGS

- cETLus listed for wet locations in ambient temperatures from  $-20^{\circ}\text{C}$  to  $50^{\circ}\text{C}$  ( $-4^{\circ}\text{F}$  to  $122^{\circ}\text{F}$ ).
- VT-6L = DLC standard.
- VT-14L & VT-20L = DLC premium.
- IP67 rated for ingress protection.
- IK10 rated for impact.
- ETL sanitation listed for non-splash food zone to comply with NSF/ANSI 2 standard.
- NEMA 4X.
- Complies with FCC Part 15, class A.
- Complies with IEC/EN61000-4-5, input transient protection (1.0kV).
- Surge protection = 1.0kV.
- 5-year warranty of all electronics and housing.

### DIMENSIONS



| Model      | Length (L) | Width (W) | Height (H) | Weight  |
|------------|------------|-----------|------------|---------|
| VT-6L-KFS  | 45.7"      | 4.7"      | 4.3"       | 4 lbs.  |
| VT-14L-KFS | 50"        | 10"       | 4.1"       | 13 lbs. |
| VT-20L-KFS | 50"        | 10"       | 4.1"       | 14 lbs. |

| Series | Nominal Lumen Output |               | Color Temperature |       |
|--------|----------------------|---------------|-------------------|-------|
| VT     | 6L                   | 6000 lumens   | KFS*              | 3500k |
|        | 14L                  | 14,000 lumens |                   | 4000k |
|        | 20L                  | 20,000 lumens | *Field selectable | 5000k |

## ELECTRICAL DATA

| Series       | Measurements      | VT-6L        |              |              | VT-14L       |              |              | VT-20L       |              |              |
|--------------|-------------------|--------------|--------------|--------------|--------------|--------------|--------------|--------------|--------------|--------------|
|              |                   | 3500K        | 4000K        | 5000K        | 3500K        | 4000K        | 5000K        | 3500K        | 4000K        | 5000K        |
| VT-KFS       | Lumens            | 5965         | 6256         | 6105         | 13,673       | 14,327       | 13,956       | 20,380       | 21,447       | 20,590       |
|              | Watts             | 44           | 42           | 44           | 99           | 93           | 99           | 150          | 141          | 150          |
|              | Efficacy          | 136          | 148          | 138          | 137          | 156          | 141          | 136          | 152          | 137          |
|              | Input Current (A) | 120V = 0.37A | 120V = 0.35A | 120V = 0.37A | 120V = 0.83A | 120V = 0.78A | 120V = 0.83A | 120V = 1.25A | 120V = 1.18A | 120V = 1.25A |
| 240V = 0.18A |                   | 240V = 0.18A | 240V = 0.18A | 240V = 0.41A | 240V = 0.39A | 240V = 0.41A | 240V = 0.63A | 240V = 0.59A | 240V = 0.63A |              |
| 277V = 0.16A |                   | 277V = 0.15A | 277V = 0.16A | 277V = 0.36A | 277V = 0.34A | 277V = 0.36A | 277V = 0.54A | 277V = 0.51A | 277V = 0.54A |              |

## PHOTOMETRIC DATA

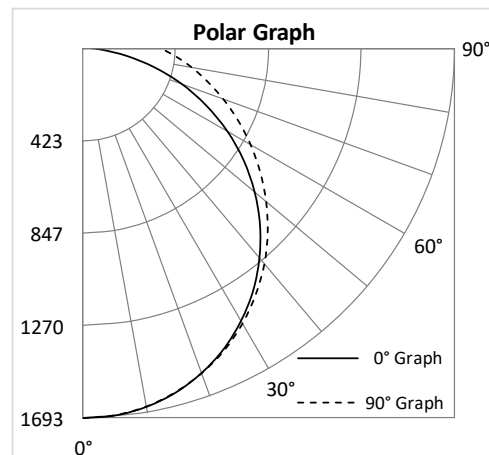
### VT-6L-KFS

#### Luminaire Data

|                                |                                |
|--------------------------------|--------------------------------|
| Description                    | 4' Vapor Tight<br>6L 35K - KFS |
| Total Lumens                   | 5,965                          |
| Input Wattage                  | 44                             |
| Efficacy (lm/W)                | 136                            |
| Spacing Criterion<br>(0-180°)  | 1.28                           |
| Spacing Criterion<br>(90-270°) | 1.28                           |

#### Zonal Lumen Summary

| Zone    | Lumens | %Fixt  |
|---------|--------|--------|
| 0-20°   | 621    | 10.4%  |
| 0-30°   | 1,323  | 22.2%  |
| 0-40°   | 2,180  | 36.5%  |
| 20-50°  | 2,468  | 41.4%  |
| 40-70°  | 2,476  | 41.5%  |
| 0-60°   | 3,942  | 66.1%  |
| 0-80°   | 5,183  | 86.9%  |
| 0-90°   | 5,526  | 92.6%  |
| 90-180° | 439    | 7.4%   |
| 0-180°  | 5,965  | 100.0% |



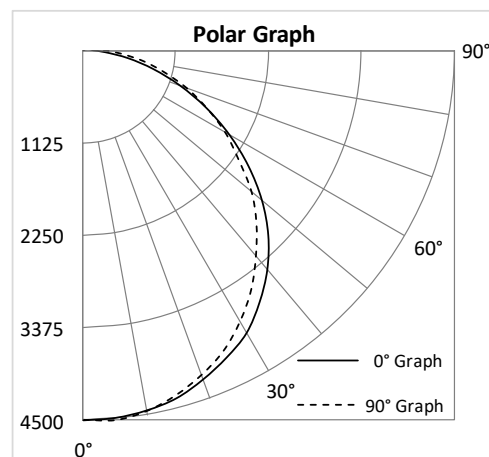
### VT-14L-KFS

#### Luminaire Data

|                                |                                 |
|--------------------------------|---------------------------------|
| Description                    | 4' Vapor Tight<br>14L 35K - KFS |
| Total Lumens                   | 13,673                          |
| Input Wattage                  | 100                             |
| Efficacy (lm/W)                | 137                             |
| Spacing Criterion<br>(0-180°)  | 1.32                            |
| Spacing Criterion<br>(90-270°) | 1.26                            |

#### Zonal Lumen Summary

| Zone    | Lumens | %Fixt  |
|---------|--------|--------|
| 0-20°   | 1,653  | 12.1%  |
| 0-30°   | 3,534  | 25.8%  |
| 0-40°   | 5,815  | 42.5%  |
| 20-50°  | 6,529  | 47.8%  |
| 40-70°  | 6,136  | 44.9%  |
| 0-60°   | 10,316 | 75.4%  |
| 0-80°   | 12,962 | 94.8%  |
| 0-90°   | 13,392 | 97.9%  |
| 90-180° | 281    | 2.1%   |
| 0-180°  | 13,673 | 100.0% |





## PHOTOMETRIC DATA

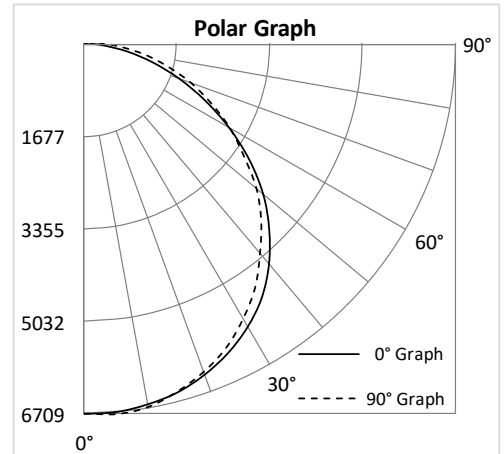
### VT-20L-KFS

#### Luminaire Data

|                                |                                 |
|--------------------------------|---------------------------------|
| Description                    | 4' Vapor Tight<br>20L 35K - KFS |
| Total Lumens                   | 20,380                          |
| Input Wattage                  | 150                             |
| Efficacy (lm/W)                | 136                             |
| Spacing Criterion<br>(0-180°)  | 1.32                            |
| Spacing Criterion<br>(90-270°) | 1.28                            |

#### Zonal Lumen Summary

| Zone    | Lumens | %Fixt  |
|---------|--------|--------|
| 0-20°   | 2,470  | 12.1%  |
| 0-30°   | 5,280  | 25.9%  |
| 0-40°   | 8,691  | 42.6%  |
| 20-50°  | 9,761  | 47.9%  |
| 40-70°  | 9,147  | 44.9%  |
| 0-60°   | 15,414 | 75.6%  |
| 0-80°   | 19,327 | 94.8%  |
| 0-90°   | 19,959 | 97.9%  |
| 90-180° | 421    | 2.1%   |
| 0-180°  | 20,380 | 100.0% |



## Lumen and Kelvin Field Selectable Vapor Tight Slim



### STANDARD



### FEATURES

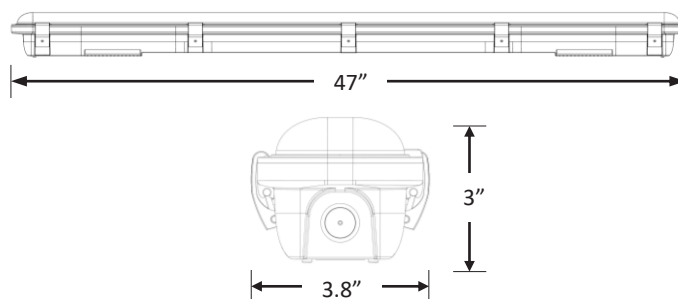
- Field selectable 3500k (warm/neutral white), 4000k (neutral white), and 5000k (cool white) color temperatures.\*
- Long-life LEDs provide 187,000 hours of operation with at least 70% of initial lumen output ( $L_{70}$ ), and 57,000 hours with at least 90% of initial lumen output ( $L_{90}$ ).\*\*
- LED chromaticity based on  $\leq 5$ -step ANSI quadrangles.
- LED color maintenance  $\leq 0.002$  chromaticity shift ( $\Delta u'v'$ ) over the initial 6,000 hours of operation.
- Selectable lumen outputs range from 5,000, 6,000 to 7,000 nominal lumens and uses 40, 45, to 50 nominal watts.\*
- Universal 120-277 AC voltage (50-60Hz) is standard.
- 0-10vdc dimming is standard.
- Power factor  $> 0.90$ .
- Total harmonic distortion  $< 20\%$ .
- Color rendering index  $> 80$ .
- Polycarbonate housing and lens.
- Stainless steel lens clips.
- Stainless steel mounting brackets and v-hooks included.
- Easy installation in new construction or retrofit applications.

\* Contact factory for other color temperatures and lumen packages.  
\*\* L70 hours are IES TM-21-11 calculated hours.

### WARRANTY & LISTINGS

- cULus listed for wet locations.
- DLC approved.
- Complies with FCC Part 15, class A.
- Complies with IEEE C.62.41-1991, input transient protection (2.5kV).
- Flicker-free per IEEE1789-2015 (no observable adverse effects of flicker at 100% light output level).
- Not suitable for use in car wash applications.
- 5-year warranty of all electronics and housing.

### DIMENSIONS



**Weight: 4.6 lbs.**

### ORDERING INFORMATION

Example: VTS-7L-LKFS-ODS-EM13

| Series | Nominal Lumen Output |                      | Select | Occupancy Sensor <sup>1,2</sup> |                     | Internally Installed Emergency Drivers <sup>3</sup> |                     |
|--------|----------------------|----------------------|--------|---------------------------------|---------------------|---|---------------------|
| VTS    | 7L                   | 7,000 nominal lumens | LKFS   | ODS                             | Microwave sensor    | EM10  | 1441 lumens         |
|        |                      |                      |        | Blank                           | No occupancy sensor | EM13  | 1768 lumens         |
|        |                      |                      |        |                                 |                     | Blank   | No emergency driver |

<sup>1</sup> Contact factory for other sensors.

<sup>2</sup> ODS = microwave technology – features include on/off, step-dimming, and daylight threshold. Default sensor settings: detection area = 100%, hold time = 5 seconds, stand-by period = 0 seconds, stand-by dimming level = 10%, daylight threshold = disabled.

<sup>3</sup> See emergency driver compatibility list (page 2).

## COMPATIBLE EMERGENCY DRIVERS\*

| Emergency Driver Part Number | EM10  |           | EM13  |           | Runtime  |
|------------------------------|-------|-----------|-------|-----------|----------|
|                              | Watts | EM Lumens | Watts | EM Lumens |          |
| VTS-7L-LKFS                  | 10.6  | 1441      | 13    | 1768      | 90 MINS. |

\* Suitable for ambient temperatures above 10°C (50°F).

## COMPATIBLE EMERGENCY DRIVERS INTERNALLY INSTALLED <sup>1 2</sup>

| Model       | Emergency Options |
|-------------|-------------------|
| VTS-7L-LKFS | EM10<br>EM13      |

<sup>1</sup> Suitable for ambient temperatures above 10°C (50°F).

<sup>2</sup> For list of remote mountable emergency drivers, see *ACCESSORIES*.

## ACCESSORIES (Order Separately)

### Remote Mount Emergency Drivers\*

- BLEM-CP-5C = Emergency driver - EM5
- BLEM-CP-10C = Emergency driver - EM10
- BLEM-CP-13C = Emergency driver - EM13

\* Suitable for ambient temperatures above 10°C (50°F).

## COMPATIBLE DIMMERS & CONTROLS

| Manufacturer | Model Number | Dimming Range | Load Switching Capacity |
|--------------|--------------|---------------|-------------------------|
|              | DWS-010V-T   | 10%-100%      | 600W                    |
|              | DWS-010V-D   | 10%-100%      | 600W                    |
| Leviton      | IP710-LFZ    | 10%-100%      | 1200W                   |
| Lutron       | DVSTV        | 10%-100%      | 450W                    |

## ELECTRICAL DATA

| Series       | Measurements      | Low Lumens   |              |              | Mid Lumens   |              |              | High Lumens  |              |              |
|--------------|-------------------|--------------|--------------|--------------|--------------|--------------|--------------|--------------|--------------|--------------|
|              |                   | 3500K        | 4000K        | 5000K        | 3500K        | 4000K        | 5000K        | 3500K        | 4000K        | 5000K        |
| VTS-LKFS     | Lumens            | 5157         | 5303         | 5181         | 6009         | 6198         | 6034         | 7295         | 7611         | 7381         |
|              | Watts             | 37           | 36           | 37           | 44           | 43           | 44           | 53           | 51           | 53           |
|              | Efficacy          | 138          | 146          | 139          | 135          | 144          | 136          | 138          | 149          | 140          |
|              | Input Current (A) | 120V = 0.31A | 120V = 0.30A | 120V = 0.31A | 120V = 0.37A | 120V = 0.36A | 120V = 0.37A | 120V = 0.44A | 120V = 0.43A | 120V = 0.44A |
| 240V = 0.15A |                   | 240V = 0.15A | 240V = 0.15A | 240V = 0.18A | 240V = 0.18A | 240V = 0.18A | 240V = 0.22A | 240V = 0.21A | 240V = 0.22A |              |
| 277V = 0.13A |                   | 277V = 0.13A | 277V = 0.13A | 277V = 0.16A | 277V = 0.16A | 277V = 0.16A | 277V = 0.19A | 277V = 0.18A | 277V = 0.19A |              |

## PHOTOMETRIC DATA

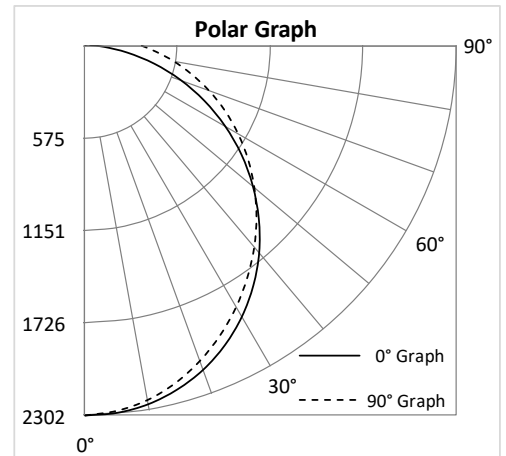
### VTS-7L-LKFS

#### Luminaire Data

|                                |                                     |
|--------------------------------|-------------------------------------|
| Description                    | 4' Vapor Tight Slim<br>7L 5K - LKFS |
| Total Lumens                   | 7,382                               |
| Input Wattage                  | 53                                  |
| Efficacy (lm/W)                | 140                                 |
| Spacing Criterion<br>(0-180°)  | 1.26                                |
| Spacing Criterion<br>(90-270°) | 1.24                                |

#### Zonal Lumen Summary

| Zone    | Lumens | %Fixt  |
|---------|--------|--------|
| 0-20°   | 838    | 11.4%  |
| 0-30°   | 1,772  | 24.0%  |
| 0-40°   | 2,893  | 39.2%  |
| 20-50°  | 3,222  | 43.7%  |
| 40-70°  | 3,142  | 42.6%  |
| 0-60°   | 5,146  | 69.7%  |
| 0-80°   | 6,657  | 90.2%  |
| 0-90°   | 7,010  | 95.0%  |
| 90-180° | 372    | 5.0%   |
| 0-180°  | 7,382  | 100.0% |



## Lumen and Kelvin Field Selectable Stairwell Luminaire

### STANDARD



### FEATURES

- Field selectable 3500k (warm/neutral white), 4000k (neutral white), and 5000k (cool white) color temperatures.\*
- Long-life LEDs provide 190,000 hours of operation with at least 70% of initial lumen output ( $L_{70}$ ), and 58,000 hours with at least 90% of initial lumen output ( $L_{90}$ ).\*\*
- Selectable lumen outputs range from 4200 nominal lumens to 6000 nominal lumens.
- Universal 120-277 AC voltage (50-60Hz) is standard.
- 0-10vdc dimming drivers are standard.
- Power factor > 0.90.
- Total harmonic distortion < 20%.
- Color rendering index > 80.
- Painted steel housing and PMMA (polymethyl methacrylate) frosted lenses are standard.
- Optional occupancy dimming sensor specifically designed to sense motion and illuminate both up and down stairwells (see figure 1).
- Easy installation in new construction or retrofit.

\* Contact factory for other color temperatures and lumen packages.

\*\*  $L_{70}$  hours are IES TM-21-11 calculated hours.

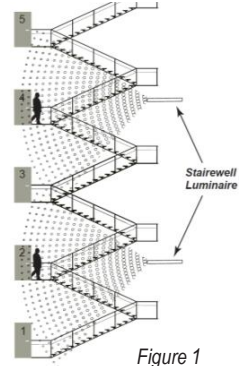


Figure 1

### WARRANTY & LISTINGS

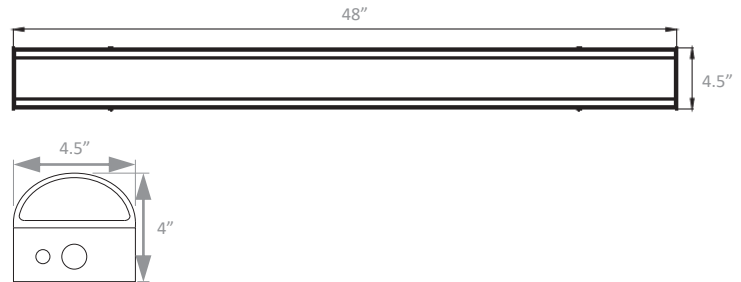
- cULus listed for damp locations ambient temperatures from -20°C to 50°C (-4°F to 122°F).
- cULus 1598 and 924 listed.\*
- DLC 5.1 premium approved.
- Complies with FCC Part 15, class A.
- Complies with IEEE C.62.41-1991, input transient protection (2.0kV).
- 5-year warranty of all electronics and housing.

\* UL 924 listed when used with emergency drivers.

### MOUNTING OPTIONS

- Surface Mounting

### DIMENSIONS



| Model   | Length (L) | Width (W) | Height (H) | Weight |
|---------|------------|-----------|------------|--------|
| SW-LKFS | 48"        | 4.5"      | 4"         | 8 lbs. |

### ORDERING INFORMATION

Example: SW-LKFS-ODS-EM8

| Series | Lumen Output/<br>Color Temperature |                   | Occupancy<br>Sensor + Dimming <sup>1,2</sup> |       | Optional<br>Emergency Driver |      | Accessories<br>(Order Separately) |       |                       |  |  |
|--------|------------------------------------|-------------------|--|-------|------------------------------|------|-----------------------------------|-------|-----------------------|--|--|
|        | LKFS*                              | Selectable Lumens | Selectable CCT                               | Blank | No Sensor                    | EM5  | 600 lumens                        | HD03R | Sensor remote control |  |  |
|        |                                    | 4,200 lm          | 3500k  | ODS   | Occupancy Dimming Sensor     | EM10 | 1200 lumens                       |       |                       |  |  |
|        |                                    | 4,800 lm          | 4000k  |       |                              |      |                                   | EM13  | 1560 lumens           |  |  |
|        |                                    | 6,000 lm          | 5000k  |       |                              |      |                                   | Blank | No emergency driver   |  |  |

\*Field selectable

<sup>1</sup> Remote control Required for programming (sold separately).

<sup>2</sup> Default sensor settings: detection area = 100%, hold time = 5 seconds, daylight threshold = disabled, stand-by period = 0 seconds, stand-by dimming level = 10%

## ELECTRICAL

| Series       | Measurements      | Low Lumens   |              |              | Mid Lumens   |              |              | High Lumens  |              |              |
|--------------|-------------------|--------------|--------------|--------------|--------------|--------------|--------------|--------------|--------------|--------------|
|              |                   | 3500K        | 4000K        | 5000K        | 3500K        | 4000K        | 5000K        | 3500K        | 4000K        | 5000K        |
| SW-LKFS      | Lumens            | 4245         | 4311         | 4208         | 4820         | 4941         | 4792         | 6226         | 6499         | 6056         |
|              | Watts             | 29           | 28           | 29           | 34           | 33           | 34           | 46           | 45           | 46           |
|              | Efficacy          | 145          | 152          | 143          | 143          | 150          | 141          | 135          | 146          | 130          |
|              | Input Current (A) | 120V = 0.24A | 120V = 0.23A | 120V = 0.24A | 120V = 0.28A | 120V = 0.28A | 120V = 0.28A | 120V = 0.38A | 120V = 0.38A | 120V = 0.38A |
| 240V = 0.12A |                   | 240V = 0.12A | 240V = 0.12A | 240V = 0.14A | 240V = 0.14A | 240V = 0.14A | 240V = 0.19A | 240V = 0.19A | 240V = 0.19A |              |
| 277V = 0.10A |                   | 277V = 0.10A | 277V = 0.10A | 277V = 0.12A | 277V = 0.12A | 277V = 0.12A | 277V = 0.17A | 277V = 0.16A | 277V = 0.17A |              |

## PHOTOMETRIC DATA

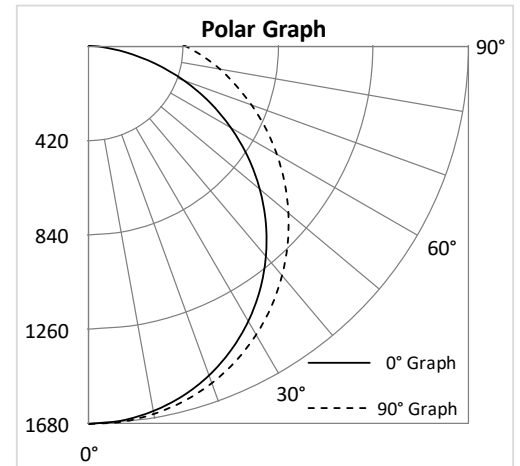
### SW-LKFS

#### Luminaire Data

| Description                    | Stairwell Luminaire<br>LKFS - 5K |
|--------------------------------|----------------------------------|
| Total Lumens                   | 6,056                            |
| Input Wattage                  | 46                               |
| Efficacy (lm/W)                | 131                              |
| Spacing Criterion<br>(0-180°)  | 1.26                             |
| Spacing Criterion<br>(90-270°) | 1.32                             |

#### Zonal Lumen Summary

| Zone    | Lumens | %Fixt  |
|---------|--------|--------|
| 0-20°   | 617    | 10.2%  |
| 0-30°   | 1,315  | 21.7%  |
| 0-40°   | 2,169  | 35.8%  |
| 20-50°  | 2,462  | 40.7%  |
| 40-70°  | 2,492  | 41.1%  |
| 0-60°   | 3,937  | 65.0%  |
| 0-80°   | 5,198  | 85.8%  |
| 0-90°   | 5,547  | 91.6%  |
| 90-180° | 509    | 8.4%   |
| 0-180°  | 6,056  | 100.0% |



## Lumen and Kelvin Field Selectable Strip Light



### STANDARD



### FEATURES

- Field selectable 3500k (warm/neutral white), 4000k (neutral white), and 5000k (cool white) color temperatures.\*
- Long-life LEDs provide 196,000 hours of operation with at least 70% of initial lumen output ( $L_{70}$ ), and 60,000 hours with at least 90% of initial lumen output ( $L_{90}$ ).\*\*
- LED chromaticity based on  $\leq 4$ -step ANSI quadrangles.
- LED color maintenance  $\leq 0.002$  chromaticity shift ( $\Delta u'v'$ ) over the initial 6,000 hours of operation.
- SL-4FT-5L-LKFS provides a range of 3,700 to 5,200 nominal lumens and 138 to 152 lumens per watt (LPW).\*
- SL-8FT-10L-LKFS provides a range of 7,100 to 10,100 nominal lumens and 132 to 149 lumens per watt (LPW).\*
- Universal 120-277 AC voltage (50-60Hz) is standard.
- 0-10vdc dimming drivers are standard.
- Power factor  $> 0.90$ .
- Total harmonic distortion  $< 20\%$ .
- Color rendering index  $> 80$ .
- Steel housing and PMMA lens.
- Optional emergency drivers and occupancy sensors are available.
- Easy installation in new construction or retrofit.

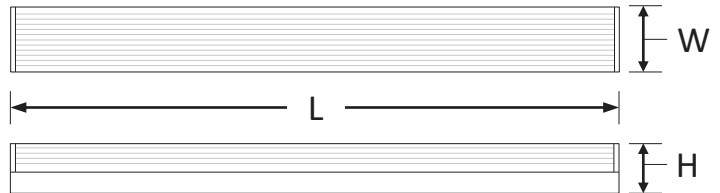
\* Contact factory for other color temperatures and lumen packages.

\*\*  $L_{70}$  hours are IES TM-21-11 calculated hours.

### WARRANTY & LISTINGS

- cULus approved for damp locations in ambient temperatures from  $-20^{\circ}\text{C}$  to  $50^{\circ}\text{C}$  ( $-4^{\circ}\text{F}$  to  $122^{\circ}\text{F}$ ).
- DLC approved.
- Complies with FCC Part 15, Class A.
- Complies with IEEE C.62.41-1991, Class A input transient surge protection (1.0kV).
- 5-year warranty of all electronics and housing.

### DIMENSIONS



|              | SL-4FT-LKFS | SL-8FT-LKFS |
|--------------|-------------|-------------|
| L            | 47.3"       | 94.2"       |
| W            | 3.3"        | 3.3"        |
| H            | 3.5"        | 3.5"        |
| Weight (lbs) | 4.5         | 9           |

### ORDERING INFORMATION

Example: SL-4FT-5L-LKFS-ODS-EM10

| Series | Length | Nominal Lumen Output  |     | Select | Occupancy Sensor <sup>1,2</sup> |                     | Internally Installed Emergency Drivers <sup>3</sup> |                     |
|--------|--------|-----------------------|-----|--------|---------------------------------|---------------------|---|---------------------|
|        |        | 5L                    | 10L |        | OS                              | ODS                 | EM5   | EM10                |
| SL     | 4FT    | 5,000 nominal lumens  |     | LKFS   | OS                              | Passive infrared    | EM5   | 650 lumens          |
|        | 8FT    | 10,000 nominal lumens |     |        | ODS                             | Microwave           | EM10  | 1,390 lumens        |
|        |        |                       |     |        | Blank                           | No occupancy sensor | EM13  | 1,780 lumens        |
|        |        |                       |     |        |                                 |                     | Blank   | No emergency driver |

<sup>1</sup> Contact factory for other sensors.

<sup>2</sup> OS = passive infrared technology – features include on/off only. ODS = microwave technology – features include on/off, step-dimming, and daylight threshold. Default sensor settings: detection area = 100%, hold time = 5 seconds, stand-by period = 0 seconds, stand-by dimming level = 10%, daylight threshold = disabled. Remote control optional but not required, part number = HD03R.

<sup>3</sup> See emergency driver compatibility list (page 2).

## COMPATIBLE EMERGENCY DRIVERS\*

| Emergency Driver Part Number | EM5   |           | EM10  |           | EM13  |           |
|------------------------------|-------|-----------|-------|-----------|-------|-----------|
|                              | Watts | EM Lumens | Watts | EM Lumens | Watts | EM Lumens |
| SL-4FT-5L-LKFS               | 5.0   | 760       | 10.7  | 1627      | 13.7  | 2083      |
| SL-8FT-10L-LKFS              | 5.0   | 760       | 10.7  | 1627      | 13.7  | 2083      |

\* Suitable for ambient temperatures above 10°C (50°F).

## COMPATIBLE EMERGENCY DRIVERS INTERNALLY INSTALLED <sup>1 2</sup>

| Model           | Emergency Options |
|-----------------|-------------------|
| SL-4FT-5L-LKFS  | EM5               |
| SL-8FT-10L-LKFS | EM10<br>EM13      |

<sup>1</sup> Suitable for ambient temperatures above 10°C (50°F).

<sup>2</sup> For list of remote mountable emergency drivers, see *ACCESSORIES*.

## ACCESSORIES (Order Separately)

### Remote Mount Emergency Drivers\*

|             |   |                         |
|-------------|---|-------------------------|
| BLEM-CP-5C  | = | Emergency driver - EM5  |
| BLEM-CP-10C | = | Emergency driver - EM10 |
| BLEM-CP-13C | = | Emergency driver - EM13 |

### Wire Guard

|           |   |                      |
|-----------|---|----------------------|
| SL-4FT-WG | = | Wire-guard kit – 4FT |
|-----------|---|----------------------|

\* Suitable for ambient temperatures above 10°C (50°F).

## COMPATIBLE DIMMERS & CONTROLS

| Manufacturer | Model Number | Dimming Range | Load Switching Capacity |
|--------------|--------------|---------------|-------------------------|
|              | DWS-010V-T   | 10%-100%      | 600W                    |
|              | DWS-010V-D   | 10%-100%      | 600W                    |
| Leviton      | IP710-LFZ    | 10%-100%      | 1200W                   |
| Lutron       | DVSTV        | 10%-100%      | 450W                    |



## ELECTRICAL DATA

| Series       | Measurements      | Low Lumens   |              |              | Mid Lumens   |              |              | High Lumens  |              |              |
|--------------|-------------------|--------------|--------------|--------------|--------------|--------------|--------------|--------------|--------------|--------------|
|              |                   | 3500K        | 4000K        | 5000K        | 3500K        | 4000K        | 5000K        | 3500K        | 4000K        | 5000K        |
| SL-4FT-LKFS  | Lumens            | 3690         | 3631         | 3722         | 4336         | 4317         | 4389         | 4876         | 5203         | 4908         |
|              | Watts             | 26           | 25           | 26           | 31           | 30           | 31           | 35           | 34           | 35           |
|              | Efficacy          | 143          | 143          | 144          | 140          | 143          | 142          | 138          | 152          | 139          |
|              | Input Current (A) | 120V = 0.22A | 120V = 0.21A | 120V = 0.22A | 120V = 0.26A | 120V = 0.25A | 120V = 0.26A | 120V = 0.29A | 120V = 0.28A | 120V = 0.29A |
| 240V = 0.11A |                   | 240V = 0.10A | 240V = 0.11A | 240V = 0.13A | 240V = 0.13A | 240V = 0.13A | 240V = 0.15A | 240V = 0.14A | 240V = 0.15A |              |
| 277V = 0.09A |                   | 277V = 0.09A | 277V = 0.09A | 277V = 0.11A | 277V = 0.11A | 277V = 0.11A | 277V = 0.13A | 277V = 0.12A | 277V = 0.13A |              |

| Series       | Measurements      | Low Lumens   |              |              | Mid Lumens   |              |              | High Lumens  |              |              |
|--------------|-------------------|--------------|--------------|--------------|--------------|--------------|--------------|--------------|--------------|--------------|
|              |                   | 3500K        | 4000K        | 5000K        | 3500K        | 4000K        | 5000K        | 3500K        | 4000K        | 5000K        |
| SL-8FT-LKFS  | Lumens            | 7251         | 7135         | 7314         | 8520         | 8483         | 8624         | 9553         | 10,124       | 9619         |
|              | Watts             | 55           | 55           | 55           | 60           | 60           | 60           | 70           | 68           | 70           |
|              | Efficacy          | 132          | 130          | 133          | 142          | 141          | 144          | 136          | 149          | 137          |
|              | Input Current (A) | 120V = 0.46A | 120V = 0.46A | 120V = 0.46A | 120V = 0.50A | 120V = 0.50A | 120V = 0.50A | 120V = 0.58A | 120V = 0.57A | 120V = 0.58A |
| 240V = 0.23A |                   | 240V = 0.23A | 240V = 0.23A | 240V = 0.25A | 240V = 0.25A | 240V = 0.25A | 240V = 0.29A | 240V = 0.28A | 240V = 0.29A |              |
| 277V = 0.20A |                   | 277V = 0.20A | 277V = 0.20A | 277V = 0.22A | 277V = 0.22A | 277V = 0.22A | 277V = 0.25A | 277V = 0.25A | 277V = 0.25A |              |

## PHOTOMETRIC DATA

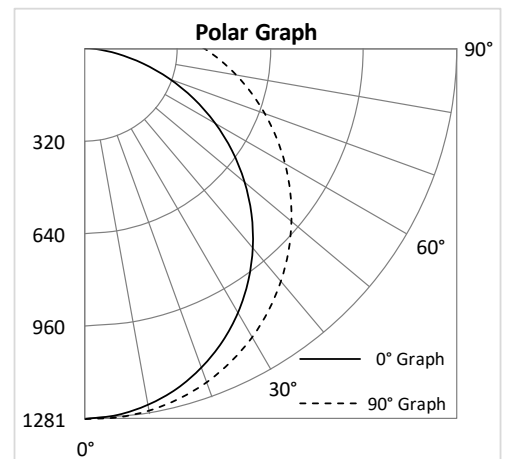
### SL-4FT-5L-LKFS

#### Luminaire Data

|                             |                                |
|-----------------------------|--------------------------------|
| Description                 | 4' Strip Light<br>5L 5K - LKFS |
| Total Lumens                | 4,908                          |
| Input Wattage               | 35                             |
| Efficacy (lm/W)             | 139                            |
| Spacing Criterion (0-180°)  | 1.24                           |
| Spacing Criterion (90-270°) | 1.36                           |

#### Zonal Lumen Summary

| Zone    | Lumens | %Fixt  |
|---------|--------|--------|
| 0-20°   | 470    | 9.6%   |
| 0-30°   | 1,002  | 20.4%  |
| 0-40°   | 1,653  | 33.7%  |
| 20-50°  | 1,877  | 38.2%  |
| 40-70°  | 1,927  | 39.3%  |
| 0-60°   | 3,009  | 61.3%  |
| 0-80°   | 4,024  | 82.0%  |
| 0-90°   | 4,338  | 88.4%  |
| 90-180° | 570    | 11.6%  |
| 0-180°  | 4,908  | 100.0% |



## Lumen and Kelvin Field Selectable Strip Light Slim

### STANDARD



### FEATURES

- Field selectable 3500k (warm/neutral white), 4000k (neutral white), and 5000k (cool white) color temperatures.\*
- Long-life LEDs provide 196,000 hours of operation with at least 70% of initial lumen output ( $L_{70}$ ), and 60,000 hours with at least 90% of initial lumen output ( $L_{90}$ ).\*\*
- LED chromaticity based on  $\leq 4$ -step ANSI quadrangles.
- LED color maintenance  $\leq 0.002$  chromaticity shift ( $\Delta u'v'$ ) over the initial 6,000 hours of operation.
- SLS-4FT-5L-LKFS provides a range of 3,500 to 5,000 nominal lumens.\*
- Universal 120-277 AC voltage (50-60Hz) is standard.
- 0-10vdc dimming drivers are standard.
- Power factor  $> 0.90$ .
- Total harmonic distortion  $< 20\%$ .
- Color rendering index  $> 80$ .
- Steel housing and PMMA lens.
- Optional emergency drivers and occupancy sensors are available.
- Easy installation in new construction or retrofit.

\* Contact factory for other color temperatures and lumen packages.

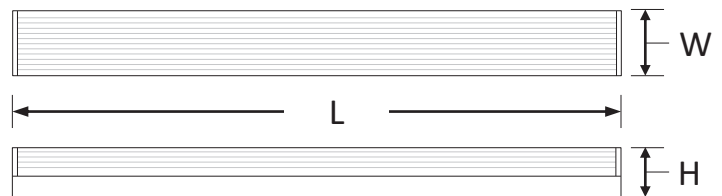
\*\*  $L_{70}$  hours are IES TM-21-11 calculated hours.



### WARRANTY & LISTINGS

- cULus approved for damp locations in ambient temperatures from  $-20^{\circ}\text{C}$  to  $50^{\circ}\text{C}$  ( $-4^{\circ}\text{F}$  to  $122^{\circ}\text{F}$ ).
- DLC approved.
- Complies with FCC Part 15, Class A.
- Complies with IEEE C.62.41-1991, Class A input transient surge protection (1.0kV).
- 5-year warranty of all electronics and housing.

### DIMENSIONS



|              |       |
|--------------|-------|
| L            | 47.3" |
| W            | 2.4"  |
| H            | 2.8"  |
| Weight (lbs) | 3.7   |

### ORDERING INFORMATION

Example: SLS-4FT-5L-LKFS-OS-EM10

| Series | Length | Nominal Lumen Output |                      | Select | Occupancy Sensor <sup>1,2</sup> |                     | Internally Installed Emergency Drivers <sup>3</sup> |                     |
|--------|--------|----------------------|----------------------|--------|---------------------------------|---------------------|---|---------------------|
|        |        |                      |                      |        | OS                              | Passive infrared    | EM10  | 1,390 lumens        |
| SLS    | 4FT    | 5L                   | 5,000 nominal lumens | LKFS   | Blank                           | No occupancy sensor | EM13  | 1,780 lumens        |
|        |        |                      |                      |        |                                 |                     | Blank   | No emergency driver |

<sup>1</sup> Contact factory for other sensors.

<sup>2</sup> OS = passive infrared technology – features include on/off only.

<sup>3</sup> See emergency driver compatibility list (page 2).

## COMPATIBLE EMERGENCY DRIVERS\*

| Emergency Driver Part Number | EM10  |           | EM13  |           | Runtime  |
|------------------------------|-------|-----------|-------|-----------|----------|
| Model                        | Watts | EM Lumens | Watts | EM Lumens |          |
| SLS-4FT-5L-LKFS              | 10.7  | 1391      | 13.7  | 1781      | 90 MINS. |

\* Suitable for ambient temperatures above 10°C (50°F).

## COMPATIBLE EMERGENCY DRIVERS INTERNALLY INSTALLED <sup>1 2</sup>

| Model           | Emergency Options |
|-----------------|-------------------|
| SLS-4FT-5L-LKFS | EM10<br>EM13      |

<sup>1</sup> Suitable for ambient temperatures above 10°C (50°F).

<sup>2</sup> For list of remote mountable emergency drivers, see *ACCESSORIES*.

## ACCESSORIES (Order Separately)

### Remote Mount Emergency Drivers\*

BLEM-CP-10C = Emergency driver - EM10

BLEM-CP-13C = Emergency driver - EM13

\* Suitable for ambient temperatures above 10°C (50°F).

## COMPATIBLE DIMMERS & CONTROLS

| Manufacturer | Model Number | Dimming Range | Load Switching Capacity |
|--------------|--------------|---------------|-------------------------|
|              | DWS-010V-T   | 10%-100%      | 600W                    |
|              | DWS-010V-D   | 10%-100%      | 600W                    |
| Leviton      | IP710-LFZ    | 10%-100%      | 1200W                   |
| Lutron       | DVSTV        | 10%-100%      | 450W                    |

## ELECTRICAL DATA

| Series       | Measurements      | Low Lumens   |              |              | Mid Lumens   |              |              | High Lumens  |              |              |
|--------------|-------------------|--------------|--------------|--------------|--------------|--------------|--------------|--------------|--------------|--------------|
|              |                   | 3500K        | 4000K        | 5000K        | 3500K        | 4000K        | 5000K        | 3500K        | 4000K        | 5000K        |
| SLS-4FT-LKFS | Lumens            | 3555         | 3622         | 3590         | 4206         | 4305         | 4258         | 4719         | 5025         | 4804         |
|              | Watts             | 25           | 25           | 25           | 30           | 30           | 30           | 34           | 33           | 35           |
|              | Efficacy          | 142          | 143          | 144          | 140          | 143          | 142          | 137          | 151          | 139          |
|              | Input Current (A) | 120V = 0.21A | 120V = 0.21A | 120V = 0.21A | 120V = 0.25A | 120V = 0.25A | 120V = 0.25A | 120V = 0.28A | 120V = 0.28A | 120V = 0.29A |
| 240V = 0.10A |                   | 240V = 0.10A | 240V = 0.10A | 240V = 0.13A | 240V = 0.13A | 240V = 0.13A | 240V = 0.14A | 240V = 0.14A | 240V = 0.15A |              |
| 277V = 0.09A |                   | 277V = 0.09A | 277V = 0.09A | 277V = 0.11A | 277V = 0.11A | 277V = 0.11A | 277V = 0.12A | 277V = 0.12A | 277V = 0.13A |              |

## PHOTOMETRIC DATA

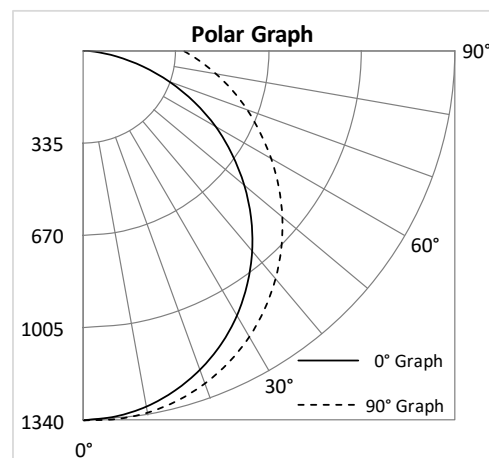
### SLS-4FT-LKFS

#### Luminaire Data

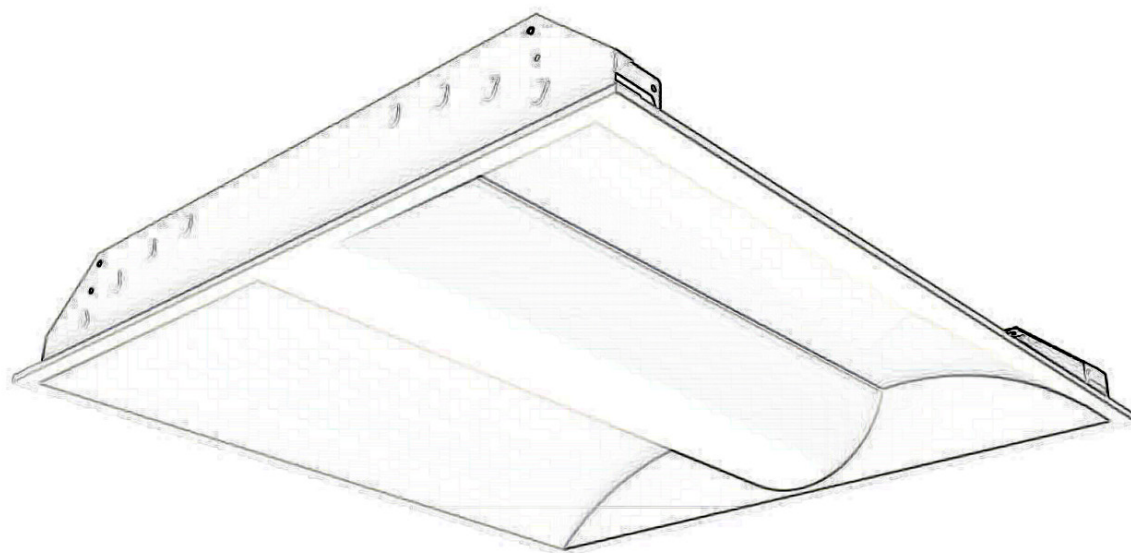
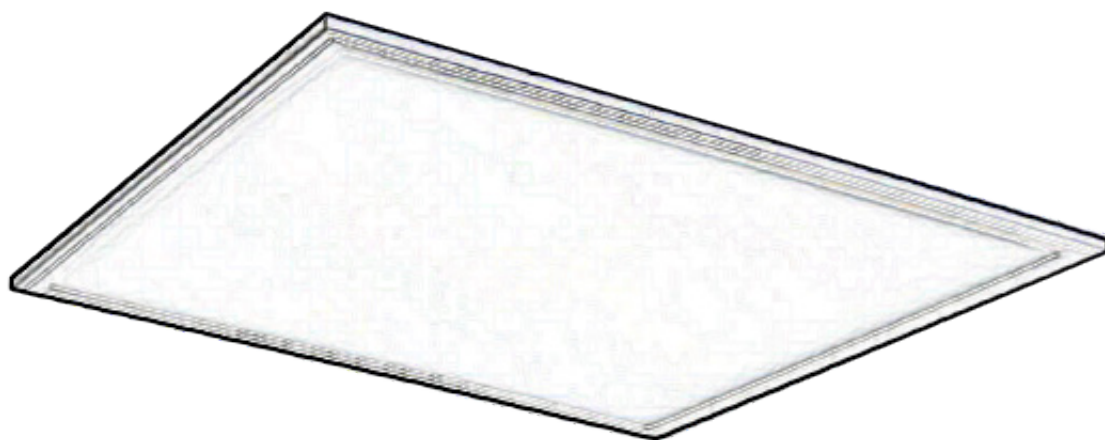
|                             |                                      |
|-----------------------------|--------------------------------------|
| Description                 | 4' Strip Light Slim<br>5L- 5K - LKFS |
| Total Lumens                | 4,804                                |
| Input Wattage               | 34                                   |
| Efficacy (lm/W)             | 140                                  |
| Spacing Criterion (0-180°)  | 1.24                                 |
| Spacing Criterion (90-270°) | 1.34                                 |

#### Zonal Lumen Summary

| Zone    | Lumens | %Fixt  |
|---------|--------|--------|
| 0-20°   | 492    | 10.2%  |
| 0-30°   | 1,049  | 21.8%  |
| 0-40°   | 1,725  | 35.9%  |
| 20-50°  | 1,948  | 40.5%  |
| 40-70°  | 1,949  | 40.6%  |
| 0-60°   | 3,111  | 64.8%  |
| 0-80°   | 4,095  | 85.2%  |
| 0-90°   | 4,372  | 91.0%  |
| 90-180° | 432    | 9.0%   |
| 0-180°  | 4,804  | 100.0% |



# LED Panel and Troffer



## 1X4 Back-Lit LED Panel - LKFS

### STANDARD



### FEATURES

- Field selectable 3500k (warm/neutral white), 4000k (neutral white), & 5000k (cool white) color temperatures.\*
- Long-life LEDs provide 144,000 hours of operation with at least 70% of initial lumen output (L<sub>70</sub>), and 44,000 hours with at least 90% of initial lumen output (L<sub>90</sub>).\*\*
- Selectable lumen outputs range from 2,600 to 4,000 nominal lumens.\*
- Uniform illumination with no visible LED pixilation.
- Universal 120-277 AC voltage (50-60Hz) is standard.
- 0-10vdc dimming drivers are standard.
- Power factor > 90.
- Total harmonic distortion < 20%.
- Color rendering index > 80.
- Aluminum frame and steel housing backplate.
- PMMA (polymethyl methacrylate) LED lenses for optimal light distribution, efficiency and longevity.
- Easy installation in new construction or retrofit.
- Standard earthquake clips provide secure installation in grid ceilings.
- Optional emergency drivers (remote mounted) are available.
- Standard mounting options include recessed mounting in grid ceilings, or suspended mounting using attached hanging brackets. For mounting in plaster or other hard ceiling, see Mounting Kits.

\* Contact factory for other color temperatures and lumen packages.

\*\*L<sub>70</sub> hours are IES TM-21-11 calculated hours.



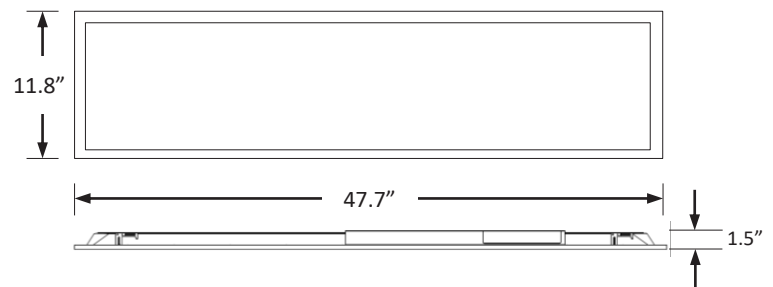
### WARRANTY & LISTINGS

- cULus for damp locations and insulated ceilings (Type IC-rated). Suitable for ambient temperatures from -20°C to 40°C (-4°F to 104°F).
- DLC approved.
- Flicker-free per IEEE1789-2015 (no observable adverse effects of flicker at 100% light output level).
- Complies with FCC Part 15, class B.
- Surge immunity protection = 1kV.
- 5-year warranty of all electronics and housing.

### MOUNTING KITS

- Optional Surface Mount Kits (SMKT-14) and Flange Mounting Kits (FLANGEKIT14-ET) provide for installation on plaster or other hard ceilings.
- Optional Cable Mounting Kits (PNL-CMK) provide additional security, as well as suspended mounting.

### DIMENSIONS



**Weight: 6 lbs.**

### ORDERING INFORMATION

Example: PNL1X4-40L-LKFS

| Series | Maximum Lumens | Lumen Output/<br>Color Temperature |                | Accessories |           |                             |
|--------|----------------|------------------------------------|----------------|-------------|-----------|-----------------------------|
|        |                | Selectable Lumens                  | Selectable CCT |             |           |                             |
| PNL1X4 | 40L            | LKFS*                              |                |             | DWS-010-T | 0-10v dimmer, toggle switch |
|        |                |                                    | 2,600 lm       | 3500K       | DWS-010-D | 0-10v dimmer, decora switch |
|        |                |                                    | 3,400 lm       | 4000K       |           |                             |
|        |                | *Field selectable                  | 4,000 lm       | 5000K       | IP710-DLZ | 0-10v dimmer, button switch |

## ELECTRICAL DATA

| Series       | Measurements      | Low Lumens   |              |              | Mid Lumens   |              |              | High Lumens  |              |              |
|--------------|-------------------|--------------|--------------|--------------|--------------|--------------|--------------|--------------|--------------|--------------|
|              |                   | 3500K        | 4000K        | 5000K        | 3500K        | 4000K        | 5000K        | 3500K        | 4000K        | 5000K        |
| PNL1X4-LKFS  | Lumens            | 2584         | 2729         | 2656         | 3425         | 3713         | 3531         | 4085         | 4342         | 4218         |
|              | Watts             | 20           | 19           | 20           | 28           | 27           | 28           | 35           | 33           | 34           |
|              | Efficacy          | 127          | 140          | 132          | 122          | 137          | 127          | 117          | 131          | 123          |
|              | Input Current (A) | 120V = 0.17A | 120V = 0.16A | 120V = 0.17A | 120V = 0.23A | 120V = 0.23A | 120V = 0.23A | 120V = 0.29A | 120V = 0.28A | 120V = 0.28A |
| 240V = 0.08A |                   | 240V = 0.08A | 240V = 0.08A | 240V = 0.12A | 240V = 0.11A | 240V = 0.12A | 240V = 0.15A | 240V = 0.14A | 240V = 0.14A |              |
| 277V = 0.07A |                   | 277V = 0.07A | 277V = 0.07A | 277V = 0.10A | 277V = 0.10A | 277V = 0.10A | 277V = 0.13A | 277V = 0.12A | 277V = 0.12A |              |

## PHOTOMETRIC DATA

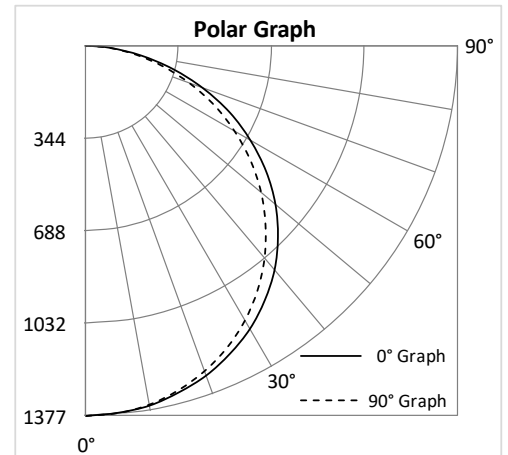
### PNL1X4-40L-LKFS

#### Luminaire Data

|                                |                                     |
|--------------------------------|-------------------------------------|
| Description                    | Back Lit Panel 1X4<br>40L 5K - LKFS |
| Total Lumens                   | 4,218                               |
| Input Wattage                  | 34                                  |
| Efficacy (lm/W)                | 123                                 |
| Spacing Criterion<br>(0-180°)  | 1.32                                |
| Spacing Criterion<br>(90-270°) | 1.28                                |

#### Zonal Lumen Summary

| Zone    | Lumens | %Fixt  |
|---------|--------|--------|
| 0-20°   | 506    | 12.0%  |
| 0-30°   | 1,085  | 25.7%  |
| 0-40°   | 1,796  | 42.6%  |
| 20-50°  | 2,044  | 48.4%  |
| 40-70°  | 1,995  | 47.3%  |
| 0-60°   | 3,246  | 77.0%  |
| 0-80°   | 4,117  | 97.6%  |
| 0-90°   | 4,213  | 99.9%  |
| 90-180° | 5      | 0.1%   |
| 0-180°  | 4,218  | 100.0% |



## COMPATIBLE EMERGENCY DRIVERS\*

| Emergency Driver Part Number | EM5   |           | EM10  |           | EM13  |           | Runtime  |
|------------------------------|-------|-----------|-------|-----------|-------|-----------|----------|
| Model                        | Watts | EM Lumens | Watts | EM Lumens | Watts | EM Lumens |          |
| PNL1X4-40L-LKFS              | 5     | 650       | 10    | 1300      | 13    | 1690      | 90 MINS. |

\* Remote mount only.

\* Suitable for ambient temperatures above 0°C (32°F).

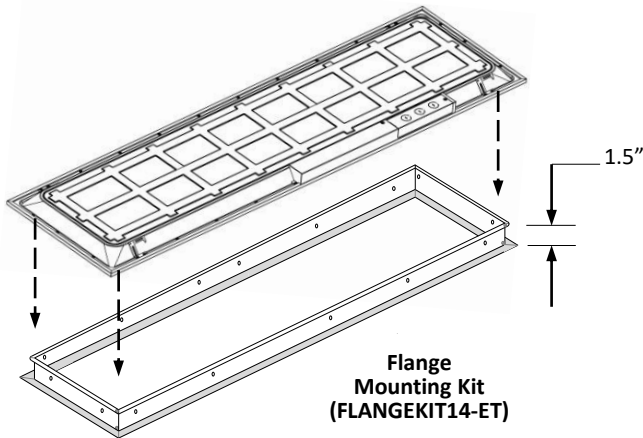
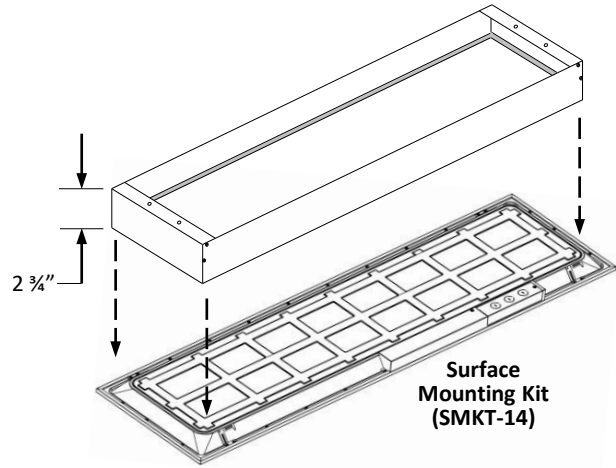
## COMPATIBLE DIMMERS & CONTROLS

| Manufacture  | Model Number | Dimming Range | Load Switching Capacity |
|--------------|--------------|---------------|-------------------------|
|              | DWS-010V-T   | 10%-100%      | 600W                    |
| Bst Lighting | DWS-010V-D   | 10%-100%      | 600W                    |
| Leviton      | IP710-LFZ    | 10%-100%      | 1200W                   |
| Lutron       | DVSTV        | 10%-100%      | 450W                    |

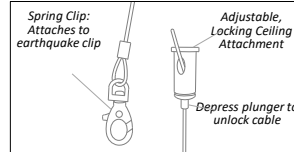


## MOUNTING MEANS – ORDER SEPARATELY

- Optional surface mounting kits (SMKT-14) mounts below the ceiling.
- Optional flange mounting kits provide for recessed installation on plaster or other hard ceilings. Attach Flange Mount Kit (FLANGEKIT14-ET) to ceiling joists or other stationary structures, and the panel is mounted flush to the ceiling.
- Optional cable mounting kits provide additional security, as well as suspended mounting. Attach one end of the Cable Mount Kit (PNL-CMK) to luminaire earthquake clips using spring clips, and attach the other end to stationary structures using the adjustable, locking ceiling attachment (see picture below right).



### Cable Mounting Kit (PNL-CMK)



### Cable Mount Kit:

- Spring Clip
- Adjustable, locking ceiling attachment

## 2X2 Back-Lit LED Panel - LKFS

### STANDARD



### FEATURES

- Field selectable 3500k (warm/neutral white), 4000k (neutral white), & 5000k (cool white) color temperatures.\*
- Long-life LEDs provide 144,000 hours of operation with at least 70% of initial lumen output (L<sub>70</sub>), and 44,000 hours with at least 90% of initial lumen output (L<sub>90</sub>).\*\*
- Selectable lumen outputs range from 2,700 to 4,000 nominal lumens.\*
- Uniform illumination with no visible LED pixilation.
- Universal 120-277 AC voltage (50-60Hz) is standard.
- 0-10vdc dimming drivers are standard.
- Power factor > 90.
- Total harmonic distortion < 20%.
- Color rendering index > 80.
- Aluminum frame and steel housing backplate.
- PMMA (polymethyl methacrylate) LED lenses for optimal light distribution, efficiency and longevity.
- Easy installation in new construction or retrofit.
- Standard earthquake clips provide secure installation in grid ceilings.
- Optional emergency drivers are available.
- Standard mounting options include recessed mounting in grid ceilings, or suspended mounting using attached hanging brackets. For mounting in plaster or other hard ceiling, see Mounting Kits.

\* Contact factory for other color temperatures and lumen packages.

\*\*L<sub>70</sub> hours are IES TM-21-11 calculated hours.



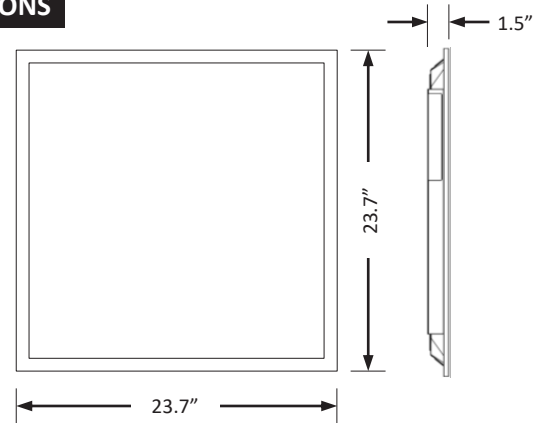
### WARRANTY & LISTINGS

- cULus for damp locations and insulated ceilings (Type IC-rated). Suitable for ambient temperatures from -20°C to 40°C (-4°F to 104°F).
- DLC premium approved.
- Flicker-free per IEEE1789-2015 (no observable adverse effects of flicker at 100% light output level).
- Complies with FCC Part 15, class B.
- Surge immunity protection = 1kV.
- 5-year warranty of all electronics and housing.

### MOUNTING KITS

- Optional Surface Mount Kits (SMKT-22) and Flange Mounting Kits (FLANGEKIT22-ET) provide for installation on plaster or other hard ceilings.
- Optional Cable Mounting Kits (PNL-CMK) provide additional security, as well as suspended mounting.

### DIMENSIONS



**Weight: 4 lbs.**

### ORDERING INFORMATION

Example: PNL2X2-40L-LKFS-PRM

| Series | Maximum Lumens | Lumen Output/Color Temperature |                | DLC   |         | Emergency Driver <sup>1</sup> |            | Accessories         |                             |                             |
|--------|----------------|--------------------------------|----------------|-------|---------|-------------------------------|------------|---------------------|-----------------------------|-----------------------------|
|        |                | Selectable Lumens              | Selectable CCT | PRM   | PREMIUM | EM5                           | 650 lumens | DWS-010-T           | 0-10v dimmer, toggle switch |                             |
| PNL2X2 | 40L            | LKFS*                          | 2,700 lm       | 3500K | PRM     | PREMIUM                       | EM10       | 1,300 lumens        | DWS-010-D                   | 0-10v dimmer, decora switch |
|        |                |                                | 3,600 lm       | 4000K |         |                               | EM13       | 1,690 lumens        |                             | 0-10v dimmer, button switch |
|        |                |                                | 4,000 lm       | 5000K |         |                               | Blank      | No emergency driver |                             | IP710-DLZ                   |

<sup>1</sup> See list of emergency drivers (page 3).

## ELECTRICAL DATA

| Series       | Measurements      | Low Lumens   |              |              | Mid Lumens   |              |              | High Lumens  |              |              |
|--------------|-------------------|--------------|--------------|--------------|--------------|--------------|--------------|--------------|--------------|--------------|
|              |                   | 3500K        | 4000K        | 5000K        | 3500K        | 4000K        | 5000K        | 3500K        | 4000K        | 5000K        |
| PNL2X2-LKFS  | Lumens            | 2733         | 2802         | 2810         | 3632         | 3810         | 3743         | 4072         | 4290         | 4179         |
|              | Watts             | 20           | 19           | 20           | 28           | 27           | 28           | 32           | 32           | 32           |
|              | Efficacy          | 136          | 145          | 141          | 131          | 142          | 136          | 126          | 135          | 130          |
|              | Input Current (A) | 120V = 0.17A | 120V = 0.16A | 120V = 0.17A | 120V = 0.23A | 120V = 0.23A | 120V = 0.23A | 120V = 0.27A | 120V = 0.27A | 120V = 0.27A |
| 240V = 0.08A |                   | 240V = 0.08A | 240V = 0.08A | 240V = 0.12A | 240V = 0.11A | 240V = 0.12A | 240V = 0.13A | 240V = 0.13A | 240V = 0.13A |              |
| 277V = 0.07A |                   | 277V = 0.07A | 277V = 0.07A | 277V = 0.10A | 277V = 0.10A | 277V = 0.10A | 277V = 0.12A | 277V = 0.12A | 277V = 0.12A |              |

## PHOTOMETRIC DATA

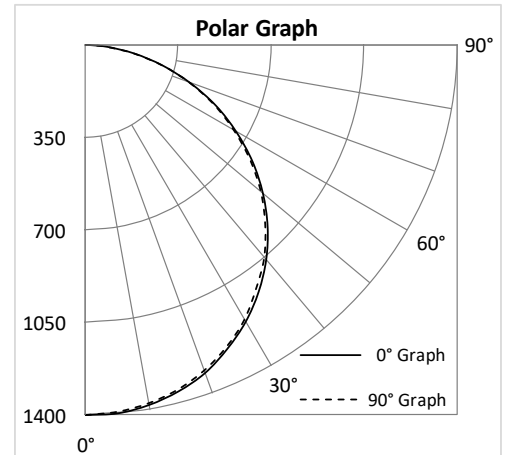
### PNL2X2-40L-LKFS-PRM

#### Luminaire Data

|                             |   |
|-----------------------------|---|
| Description                 | Premium Back Lit Panel<br>2X2 40L 5K - LKFS |
| Total Lumens                | 4,179                                       |
| Input Wattage               | 32  |
| Efficacy (lm/W)             | 130   |
| Spacing Criterion (0-180°)  | 1.3   |
| Spacing Criterion (90-270°) | 1.28  |

#### Zonal Lumen Summary

| Zone    | Lumens | %Fixt  |
|---------|--------|--------|
| 0-20°   | 514    | 12.3%  |
| 0-30°   | 1,098  | 26.3%  |
| 0-40°   | 1,810  | 43.3%  |
| 20-50°  | 2,043  | 48.9%  |
| 40-70°  | 1,962  | 46.9%  |
| 0-60°   | 3,240  | 77.5%  |
| 0-80°   | 4,087  | 97.8%  |
| 0-90°   | 4,175  | 99.9%  |
| 90-180° | 4      | 0.1%   |
| 0-180°  | 4,179  | 100.0% |



## COMPATIBLE EMERGENCY DRIVERS\*

| Emergency Driver Part Number | EM5   |           | EM10  |           | EM13  |           | Runtime  |
|------------------------------|-------|-----------|-------|-----------|-------|-----------|----------|
| Model                        | Watts | EM Lumens | Watts | EM Lumens | Watts | EM Lumens |          |
| PNL2X2-40L-LKFS-PRM          | 5     | 650       | 10    | 1300      | 13    | 1690      | 90 MINS. |

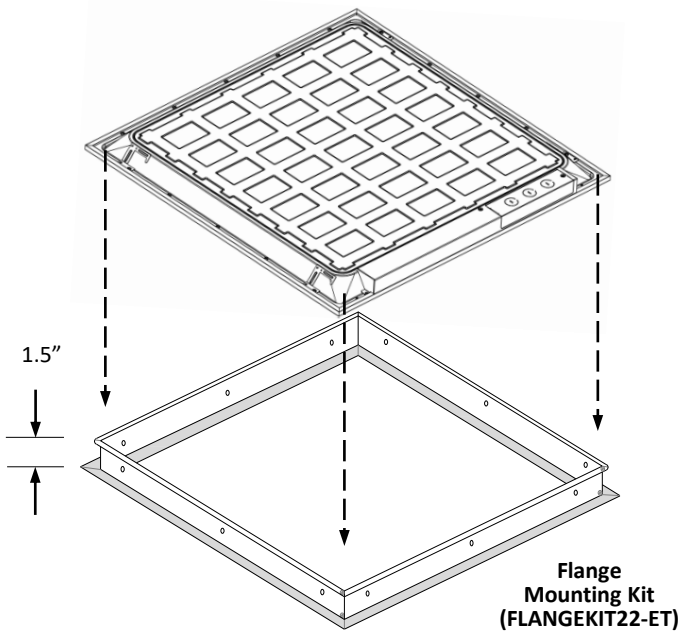
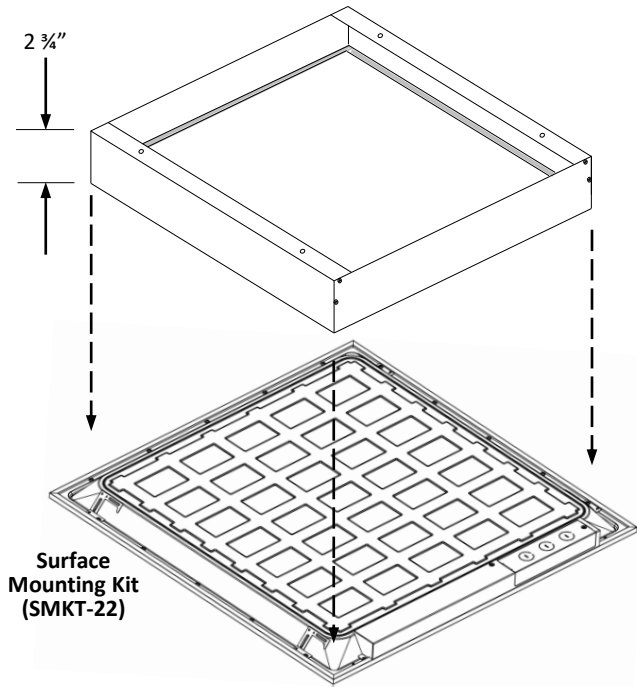
\* Suitable for ambient temperatures above 0°C (32°F).

## COMPATIBLE DIMMERS & CONTROLS

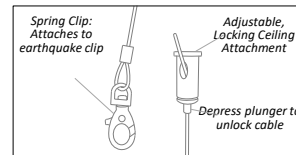
| Manufacturer | Model Number | Dimming Range | Load Switching Capacity |
|--------------|--------------|---------------|-------------------------|
|              | DWS-010V-T   | 10%-100%      | 600W                    |
|              | DWS-010V-D   | 10%-100%      | 600W                    |
| Leviton      | IP710-LFZ    | 10%-100%      | 1200W                   |
| Lutron       | DVSTV        | 10%-100%      | 450W                    |

## MOUNTING MEANS – ORDER SEPARATELY

- Optional surface mounting kits (SMKT-22) mounts below the ceiling.
- Optional flange mounting kits provide for recessed installation on plaster or other hard ceilings. Attach Flange Mount Kit (FLANGEKIT22-ET) to ceiling joists or other stationary structures, and the panel is mounted flush to the ceiling.
- Optional cable mounting kits provide additional security, as well as suspended mounting. Attach one end of the Cable Mount Kit (PNL-CMK) to luminaire earthquake clips using spring clips, and attach the other end to stationary structures using the adjustable, locking ceiling attachment (see picture below right).



### Cable Mounting Kit (PNL-CMK)



### Cable Mount Kit:

- Spring Clip
- Adjustable, locking ceiling attachment

## 2X4 Back-Lit LED Panel - LKFS

### STANDARD



### FEATURES

- Field selectable 3500k (warm/neutral white), 4000k (neutral white), & 5000k (cool white) color temperatures.\*
- Long-life LEDs provide 144,000 hours of operation with at least 70% of initial lumen output (L<sub>70</sub>), and 44,000 hours with at least 90% of initial lumen output (L<sub>90</sub>).\*\*
- Selectable lumen outputs range from 3,300 to 5,000 nominal lumens.\*
- Uniform illumination with no visible LED pixilation.
- Universal 120-277 AC voltage (50-60Hz) is standard.
- 0-10vdc dimming drivers are standard.
- Power factor > 90.
- Total harmonic distortion < 20%.
- Color rendering index > 80.
- Aluminum frame and steel housing backplate.
- PMMA (polymethyl methacrylate) LED lenses for optimal light distribution, efficiency and longevity.
- Easy installation in new construction or retrofit.
- Standard earthquake clips provide secure installation in grid ceilings.
- Optional emergency drivers are available.
- Standard mounting options include recessed mounting in grid ceilings, or suspended mounting using attached hanging brackets. For mounting in plaster or other hard ceiling, see Mounting Kits.

\* Contact factory for other color temperatures and lumen packages.

\*\*L<sub>70</sub> hours are IES TM-21-11 calculated hours.



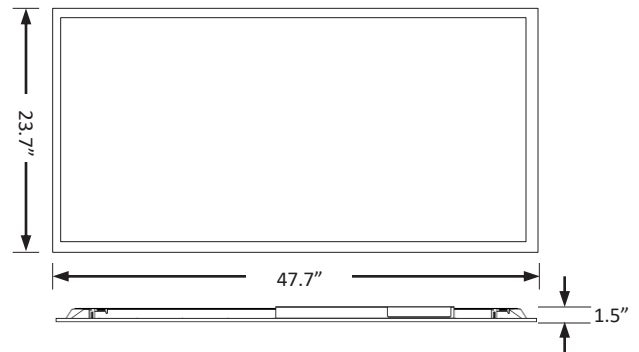
### WARRANTY & LISTINGS

- cULus for damp locations and insulated ceilings (Type IC-rated). Suitable for ambient temperatures from -20°C to 40°C (-4°F to 104°F).
- DLC premium approved.
- Flicker-free per IEEE1789-2015 (no observable adverse effects of flicker at 100% light output level).
- Complies with FCC Part 15, class B.
- Surge immunity protection = 1kV.
- 5-year warranty of all electronics and housing.

### MOUNTING KITS

- Optional Surface Mount Kits (SMKT-24) and Flange Mounting Kits (FLANGEKIT24-ET) provide for installation on plaster or other hard ceilings.
- Optional Cable Mounting Kits (PNL-CMK) provide additional security, as well as suspended mounting.

### DIMENSIONS



Weight: 9 lbs.

### ORDERING INFORMATION

Example: PNL2X4-50L-LKFS-PRM

| Series | Maximum Lumens | Lumen Output/<br>Color Temperature |                | DLC   |         | Emergency Driver <sup>1</sup> |       |                     |
|--------|----------------|------------------------------------|----------------|-------|---------|-------------------------------|-------|---------------------|
|        |                | Selectable Lumens                  | Selectable CCT | PRM   | PREMIUM | EM5                           | EM10  |                     |
| PNL2X4 | 50L            | LKFS*                              | 3,300 lm       | 3500K | PRM     | PREMIUM                       | EM5   | 650 lumens          |
|        |                |                                    | 4,500 lm       | 4000K |         |                               | EM10  | 1,300 lumens        |
|        |                |                                    | 5,000 lm       | 5000K |         |                               | EM13  | 1,690 lumens        |
|        |                |                                    |                |       |         |                               | Blank | No emergency driver |

\*Field selectable

<sup>1</sup> See list of emergency drivers (page 3).

## ELECTRICAL DATA

| Series       | Measurements      | Low Lumens   |              |              | Mid Lumens   |              |              | High Lumens  |              |              |
|--------------|-------------------|--------------|--------------|--------------|--------------|--------------|--------------|--------------|--------------|--------------|
|              |                   | 3500K        | 4000K        | 5000K        | 3500K        | 4000K        | 5000K        | 3500K        | 4000K        | 5000K        |
| PNL2X4-LKFS  | Lumens            | 3284         | 3323         | 3389         | 4448         | 4576         | 4538         | 5015         | 5247         | 5157         |
|              | Watts             | 24           | 23           | 24           | 33           | 32           | 33           | 38           | 37           | 38           |
|              | Efficacy          | 138          | 148          | 144          | 134          | 144          | 138          | 131          | 141          | 137          |
|              | Input Current (A) | 120V = 0.20A | 120V = 0.19A | 120V = 0.20A | 120V = 0.28A | 120V = 0.27A | 120V = 0.28A | 120V = 0.32A | 120V = 0.31A | 120V = 0.32A |
| 240V = 0.10A |                   | 240V = 0.10A | 240V = 0.10A | 240V = 0.14A | 240V = 0.13A | 240V = 0.14A | 240V = 0.16A | 240V = 0.15A | 240V = 0.16A |              |
| 277V = 0.09A |                   | 277V = 0.08A | 277V = 0.09A | 277V = 0.12A | 277V = 0.12A | 277V = 0.12A | 277V = 0.14A | 277V = 0.13A | 277V = 0.14A |              |

## PHOTOMETRIC DATA

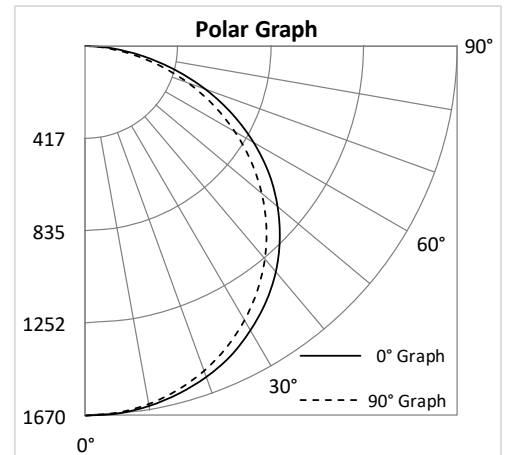
### PNL2X4-50L-LKFS-PRM

#### Luminaire Data

|                             |   |
|-----------------------------|---|
| Description                 | Premium Back Lit Panel<br>2X4 50L 5K - LKFS |
| Total Lumens                | 5,157                                       |
| Input Wattage               | 38  |
| Efficacy (lm/W)             | 137   |
| Spacing Criterion (0-180°)  | 1.34  |
| Spacing Criterion (90-270°) | 1.28  |

#### Zonal Lumen Summary

| Zone    | Lumens | %Fixt  |
|---------|--------|--------|
| 0-20°   | 614    | 11.9%  |
| 0-30°   | 1,316  | 25.5%  |
| 0-40°   | 2,181  | 42.3%  |
| 20-50°  | 2,491  | 48.3%  |
| 40-70°  | 2,457  | 47.6%  |
| 0-60°   | 3,964  | 76.9%  |
| 0-80°   | 5,039  | 97.7%  |
| 0-90°   | 5,152  | 99.9%  |
| 90-180° | 5      | 0.1%   |
| 0-180°  | 5,157  | 100.0% |



## COMPATIBLE EMERGENCY DRIVERS\*

| Emergency Driver Part Number | EM5   |           | EM10  |           | EM13  |           | Runtime  |
|------------------------------|-------|-----------|-------|-----------|-------|-----------|----------|
| Model                        | Watts | EM Lumens | Watts | EM Lumens | Watts | EM Lumens |          |
| PNL2X4-50L-LKFS-PRM          | 5     | 650       | 10    | 1300      | 13    | 1690      | 90 MINS. |

\* Remote mount only.

\* Suitable for ambient temperatures above 0°C (32°F).

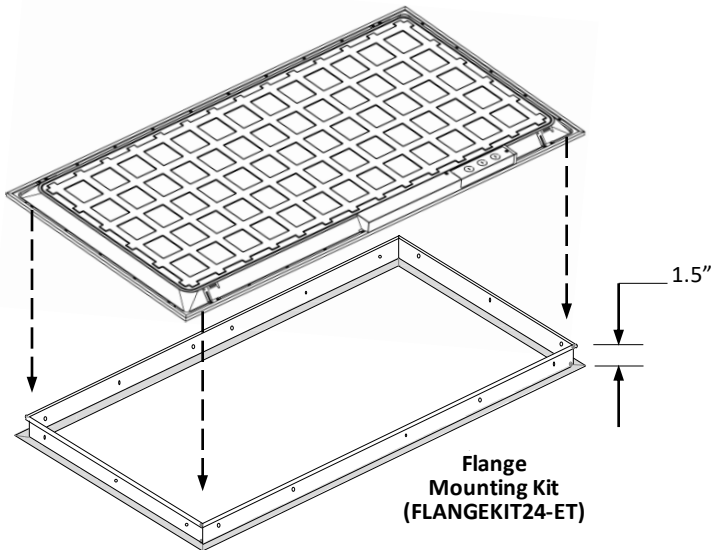
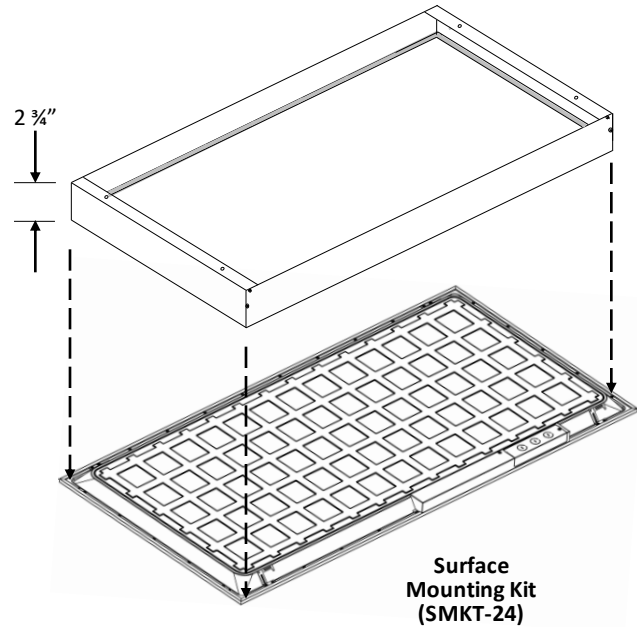
## Compatible Dimmers

| Manufacture | Model Number | Dimming Range | Load Switching Capacity |
|-------------|--------------|---------------|-------------------------|
|             | DWS-010V-T   | 10%-100%      | 600W                    |
|             | DWS-010V-D   | 10%-100%      | 600W                    |
| Lutron      | DVSTV        | 10%-100%      | 450W                    |
| Leviton     | IP710-LFZ    | 10%-100%      | 1200W                   |

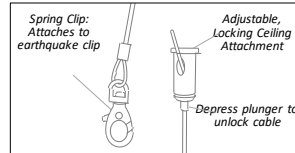


## MOUNTING MEANS – ORDER SEPARATELY

- Optional surface mounting kits (SMKT-24) mounts below the ceiling.
- Optional flange mounting kits provide for recessed installation on plaster or other hard ceilings. Attach Flange Mount Kit (FLANGEKIT24-ET) to ceiling joists or other stationary structures, and the panel is mounted flush to the ceiling.
- Optional cable mounting kits provide additional security, as well as suspended mounting. Attach one end of the Cable Mount Kit (PNL-CMK) to luminaire earthquake clips using spring clips, and attach the other end to stationary structures using the adjustable, locking ceiling attachment (see picture below right).



### Cable Mounting Kit (PNL-CMK)



### Cable Mount Kit:

- Spring Clip
- Adjustable, locking ceiling attachment

## Lumen and Kelvin Field Selectable Center Basket

### STANDARD



### FEATURES

- Field selectable 3500k (warm/neutral white), 4000k (neutral white) & 5000k (cool white) color temperatures.\*
- Long-life LEDs provide at least 196,000 hours of operation with at least 70% of initial lumen output ( $L_{70}$ ).\*\*
- Provides a range of 3,000 to 4,300 nominal lumens.\*
- Uniform illumination with no visible LED pixilation.
- Universal 120-277 AC voltage (50-60Hz) is standard.
- 0-10vdc, continuous dimming capability is standard.
- Power factor > 0.90.
- Total harmonic distortion < 20%.
- Color rendering index ( $R_a$ ) > 80.
- Steel housing and PMMA lens.
- Easy installation in new construction or retrofit. Fits in standard 2' x 2' grid ceilings.
- Built-in earthquake clips provide secure installation in grid ceilings.
- Standard mounting options include recessed mounting in grid ceilings, or suspended mounting using earthquake clips. For other mounting options, see Mounting Means (page 4).

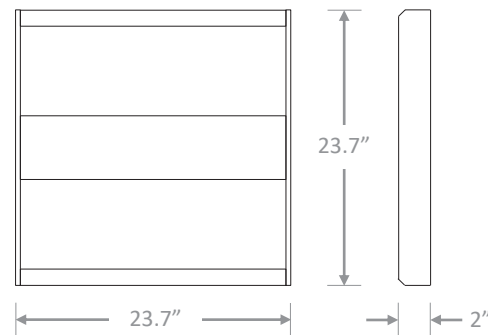
\* Contact factory for other color temperatures and lumen packages.  
\*\* L70 hours are IES TM-21-11 calculated hours.



### WARRANTY & LISTINGS

- cULus listed for damp locations and insulated ceilings in ambient temperatures from -25°C to 50°C (-13°F to 122°F).
- UL listed for maximum of 4, 12 AWG through branch circuit conductor.
- Inherently protected.
- Type IC rated for insulated ceilings.
- DLC approved.
- Low risk of flicker (per IEEE1789-2015) at 100% light output level.
- Complies with FCC Part 15, class A.
- Complies with IEEE C.62.41-2002, input transient surge protection (2.5kV).
- 5-year warranty of all electronics and housing.

### DIMENSIONS



**Weight: 7 lbs.**

### ORDERING INFORMATION

Example: CB22-4L-LKFS-EM13

| Series | Nominal Lumen Output      | Select | Externally Installed Emergency Drivers <sup>1</sup> | Accessories         |   |
|--------|---------------------------|--------|---|---------------------|---|
| CB22   | 4L   4,000 nominal lumens | LKFS   | EM5   | 755 lumens          | DWS-010-T   0-10v dimmer, toggle switch |
|        |                           |        | EM10  | 1,617 lumens        | DWS-010-D   0-10v dimmer, decora switch |
|        |                           |        | EM13  | 1,940 lumens        | IP710-DLZ   0-10v dimmer, button switch |
|        |                           |        | Blank   | No emergency driver |   |

<sup>1</sup> See emergency driver compatibility list (page 2).

## COMPATIBLE EMERGENCY DRIVERS\*

| Emergency Driver Part Number | EM5   |           | EM10  |           | EM13  |           |
|------------------------------|-------|-----------|-------|-----------|-------|-----------|
| Model                        | Watts | EM Lumens | Watts | EM Lumens | Watts | EM Lumens |
| CB22-4L-LKFS                 | 5.0   | 755       | 10.7  | 1617      | 13.7  | 1940      |

\* Suitable for ambient temperatures above 10°C (50°F).

## ACCESSORIES (Order Separately)

### Remote Mount Emergency Drivers\*

- BLEM-CP-5C = Emergency driver - EM5
- BLEM-CP-10C = Emergency driver - EM10
- BLEM-CP-13C = Emergency driver - EM13

\* Suitable for ambient temperatures above 10°C (50°F).

## COMPATIBLE DIMMERS & CONTROLS

| Manufacturer | Model Number | Dimming Range | Load Switching Capacity |
|--------------|--------------|---------------|-------------------------|
|              | DWS-010V-T   | 10%-100%      | 600W                    |
|              | DWS-010V-D   | 10%-100%      | 600W                    |
| Leviton      | IP710-LFZ    | 10%-100%      | 1200W                   |
| Lutron       | DVSTV        | 10%-100%      | 450W                    |

## ELECTRICAL DATA

| Series       | Measurements      | Low Lumens   |              |              | Mid Lumens   |              |              | High Lumens  |              |              |
|--------------|-------------------|--------------|--------------|--------------|--------------|--------------|--------------|--------------|--------------|--------------|
|              |                   | 3500K        | 4000K        | 5000K        | 3500K        | 4000K        | 5000K        | 3500K        | 4000K        | 5000K        |
| CB22-4L-LKFS | Lumens            | 3073         | 3176         | 3120         | 3640         | 3772         | 3649         | 4220         | 4370         | 4196         |
|              | Watts             | 22           | 22           | 22           | 27           | 27           | 27           | 32           | 31           | 32           |
|              | Efficacy          | 137          | 144          | 139          | 134          | 142          | 134          | 131          | 140          | 131          |
|              | Input Current (A) | 120V = 0.18A | 120V = 0.18A | 120V = 0.18A | 120V = 0.23A | 120V = 0.23A | 120V = 0.23A | 120V = 0.27A | 120V = 0.26A | 120V = 0.27A |
| 240V = 0.09A |                   | 240V = 0.09A | 240V = 0.09A | 240V = 0.11A | 240V = 0.11A | 240V = 0.11A | 240V = 0.13A | 240V = 0.13A | 240V = 0.13A |              |
| 277V = 0.08A |                   | 277V = 0.08A | 277V = 0.08A | 277V = 0.10A | 277V = 0.10A | 277V = 0.10A | 277V = 0.12A | 277V = 0.11A | 277V = 0.12A |              |

## PHOTOMETRIC DATA

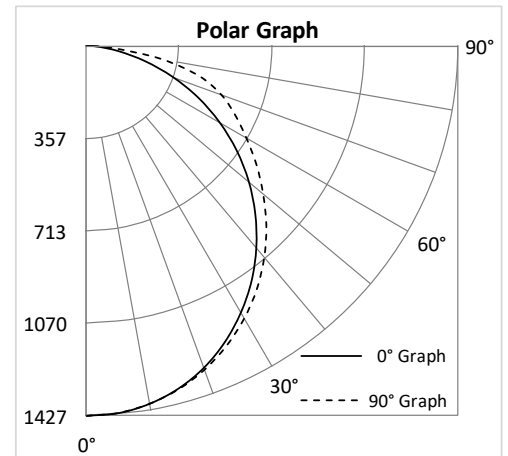
### CB22-4L-LKFS

#### Luminaire Data

|                                |                                   |
|--------------------------------|-----------------------------------|
| Description                    | Center Basket<br>2X2 4L 5K - LKFS |
| Total Lumens                   | 4,205                             |
| Input Wattage                  | 32                                |
| Efficacy (lm/W)                | 131                               |
| Spacing Criterion<br>(0-180°)  | 1.24                              |
| Spacing Criterion<br>(90-270°) | 1.28                              |

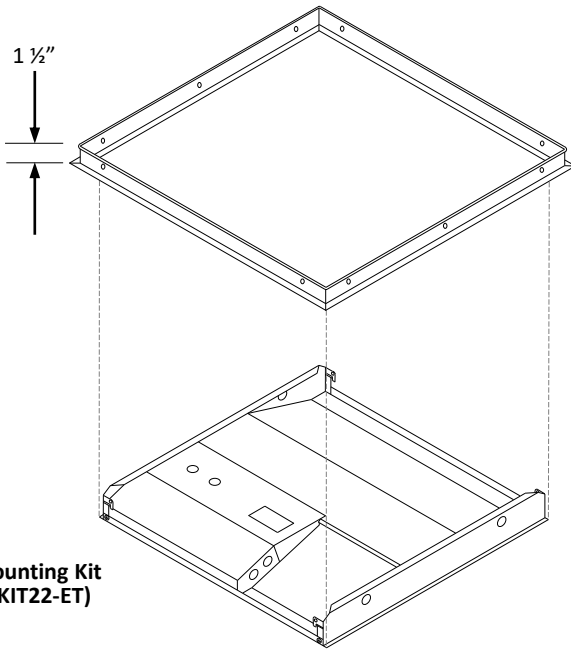
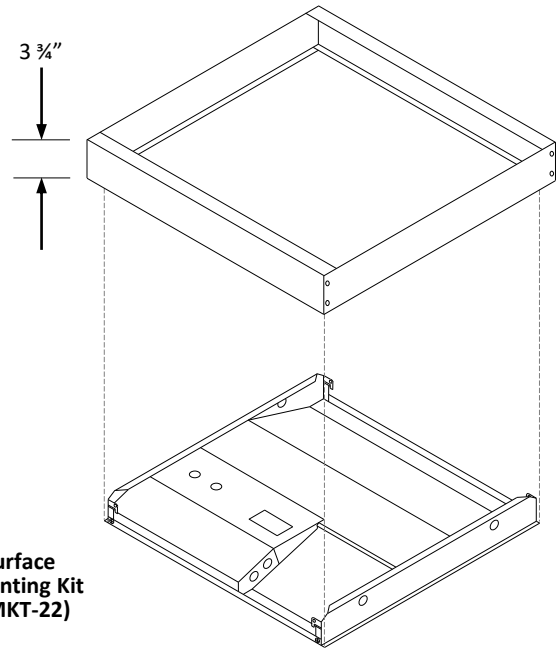
#### Zonal Lumen Summary

| Zone    | Lumens | %Fixt  |
|---------|--------|--------|
| 0-20°   | 521    | 12.4%  |
| 0-30°   | 1,104  | 26.3%  |
| 0-40°   | 1,807  | 43.0%  |
| 20-50°  | 2,017  | 48.0%  |
| 40-70°  | 1,936  | 46.0%  |
| 0-60°   | 3,206  | 76.2%  |
| 0-80°   | 4,102  | 97.5%  |
| 0-90°   | 4,202  | 99.9%  |
| 90-180° | 3      | 0.1%   |
| 0-180°  | 4,205  | 100.0% |

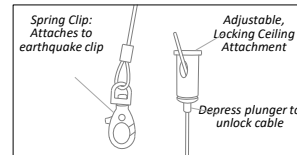


## MOUNTING MEANS – ORDER SEPARATELY

- Optional surface mounting kits (SMKT-22) mounts below the ceiling.
- Optional flange mounting kits provide for recessed installation on plaster or other hard ceilings. Attach Flange Mount Kit (FLANGEKIT22-ET) to ceiling joists or other stationary structures, and the panel is mounted flush to the ceiling.
- Optional cable mounting kits provide additional security, as well as suspended mounting. Attach one end of the Cable Mount Kit (PNL-CM) to luminaire earthquake clips using spring clips, and attach the other end to stationary structures using the adjustable, locking ceiling attachment (see picture below right).



### Cable Mounting Kit (PNL-CM)



#### Cable Mount Kit:

- Spring Clip
- Adjustable, locking ceiling attachment

## Lumen and Kelvin Field Selectable Center Basket

### STANDARD



### FEATURES

- Field selectable 3500k (warm/neutral white), 4000k (neutral white) & 5000k (cool white) color temperatures.\*
- Long-life LEDs provide at least 196,000 hours of operation with at least 70% of initial lumen output ( $L_{70}$ ).\*\*
- Provides a range of 4,500 to 5,800 nominal lumens.\*
- Uniform illumination with no visible LED pixilation.
- Universal 120-277 AC voltage (50-60Hz) is standard.
- 0-10vdc, continuous dimming capability is standard.
- Power factor > 0.90.
- Total harmonic distortion < 20%.
- Color rendering index ( $R_a$ ) > 80.
- Steel housing and PMMA lens.
- Easy installation in new construction or retrofit. Fits in standard 2' x 4' grid ceilings.
- Built-in earthquake clips provide secure installation in grid ceilings.
- Standard mounting options include recessed mounting in grid ceilings, or suspended mounting using earthquake clips. For other mounting options, see Mounting Means (page 4).

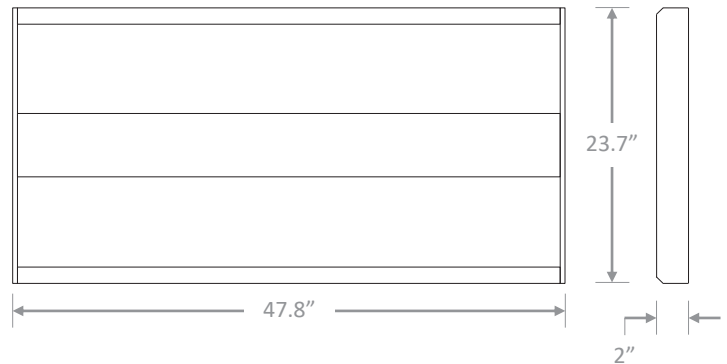
\* Contact factory for other color temperatures and lumen packages.  
\*\* L70 hours are IES TM-21-11 calculated hours.



### WARRANTY & LISTINGS

- cULus listed for damp locations and insulated ceilings in ambient temperatures from -25°C to 50°C (-13°F to 122°F).
- UL listed for maximum of 4, 12 AWG through branch circuit conductor.
- Inherently protected.
- Type IC rated for insulated ceilings.
- DLC approved.
- Low risk of flicker (per IEEE1789-2015) at 100% light output level.
- Complies with FCC Part 15, class A.
- Complies with IEEE C.62.41-2002, input transient surge protection (2.5kV).
- 5-year warranty of all electronics and housing.

### DIMENSIONS



**Weight: 11 lbs.**

### ORDERING INFORMATION

Example: CB24-6L-LKFS-EM13

| Series | Nominal Lumen Output      | Select | Externally Installed Emergency Drivers <sup>1</sup> |                     | Accessories |                             |
|--------|---------------------------|--------|---|---------------------|-------------|-----------------------------|
| CB24   | 6L   6,000 nominal lumens | LKFS   | EM5   | 755 lumens          | DWS-010-T   | 0-10v dimmer, toggle switch |
|        |                           |        | EM10  | 1,617 lumens        | DWS-010-D   | 0-10v dimmer, decora switch |
|        |                           |        | EM13  | 1,940 lumens        |             | IP710-DLZ                   |
|        |                           |        | Blank   | No emergency driver |             |                             |

<sup>1</sup> See emergency driver compatibility list (page 2).

## COMPATIBLE EMERGENCY DRIVERS\*

| Emergency Driver Part Number | EM5   |           | EM10  |           | EM13  |           |
|------------------------------|-------|-----------|-------|-----------|-------|-----------|
| Model                        | Watts | EM Lumens | Watts | EM Lumens | Watts | EM Lumens |
| CB24-6L-LKFS                 | 5.0   | 755       | 10.7  | 1617      | 13.7  | 1940      |

\* Suitable for ambient temperatures above 10°C (50°F).

## ACCESSORIES (Order Separately)

### Remote Mount Emergency Drivers\*

- BLEM-CP-5C = Emergency driver - EM5
- BLEM-CP-10C = Emergency driver - EM10
- BLEM-CP-13C = Emergency driver - EM13

\* Suitable for ambient temperatures above 10°C (50°F).

## COMPATIBLE DIMMERS & CONTROLS

| Manufacturer | Model Number | Dimming Range | Load Switching Capacity |
|--------------|--------------|---------------|-------------------------|
|              | DWS-010V-T   | 10%-100%      | 600W                    |
|              | DWS-010V-D   | 10%-100%      | 600W                    |
| Leviton      | IP710-LFZ    | 10%-100%      | 1200W                   |
| Lutron       | DVSTV        | 10%-100%      | 450W                    |

## ELECTRICAL DATA

| Series       | Measurements      | Low Lumens   |              |              | Mid Lumens   |              |              | High Lumens  |              |              |
|--------------|-------------------|--------------|--------------|--------------|--------------|--------------|--------------|--------------|--------------|--------------|
|              |                   | 3500K        | 4000K        | 5000K        | 3500K        | 4000K        | 5000K        | 3500K        | 4000K        | 5000K        |
| CB24-6L-LKFS | Lumens            | 4466         | 4566         | 4460         | 4922         | 5062         | 5002         | 5653         | 5850         | 5675         |
|              | Watts             | 33           | 32           | 33           | 37           | 36           | 37           | 44           | 43           | 44           |
|              | Efficacy          | 134          | 141          | 134          | 132          | 139          | 134          | 128          | 137          | 129          |
|              | Input Current (A) | 120V = 0.28A | 120V = 0.27A | 120V = 0.28A | 120V = 0.31A | 120V = 0.30A | 120V = 0.31A | 120V = 0.37A | 120V = 0.36A | 120V = 0.37A |
| 240V = 0.14A |                   | 240V = 0.13A | 240V = 0.14A | 240V = 0.15A | 240V = 0.15A | 240V = 0.15A | 240V = 0.18A | 240V = 0.18A | 240V = 0.18A |              |
| 277V = 0.12A |                   | 277V = 0.12A | 277V = 0.12A | 277V = 0.13A | 277V = 0.13A | 277V = 0.13A | 277V = 0.16A | 277V = 0.16A | 277V = 0.16A |              |

## PHOTOMETRIC DATA

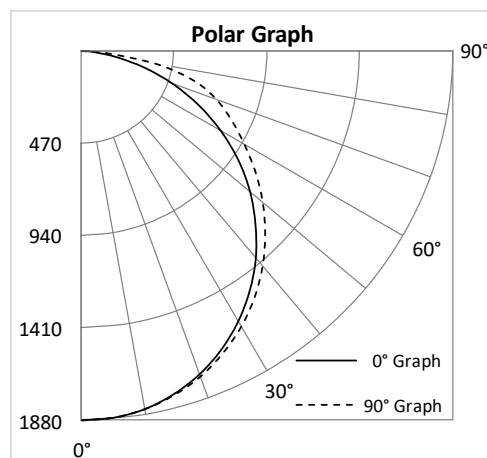
### CB24-6L-LKFS

#### Luminaire Data

|                                |                                   |
|--------------------------------|-----------------------------------|
| Description                    | Center Basket<br>2X4 6L 5K - LKFS |
| Total Lumens                   | 5,675                             |
| Input Wattage                  | 44                                |
| Efficacy (lm/W)                | 129                               |
| Spacing Criterion<br>(0-180°)  | 1.26                              |
| Spacing Criterion<br>(90-270°) | 1.28                              |

#### Zonal Lumen Summary

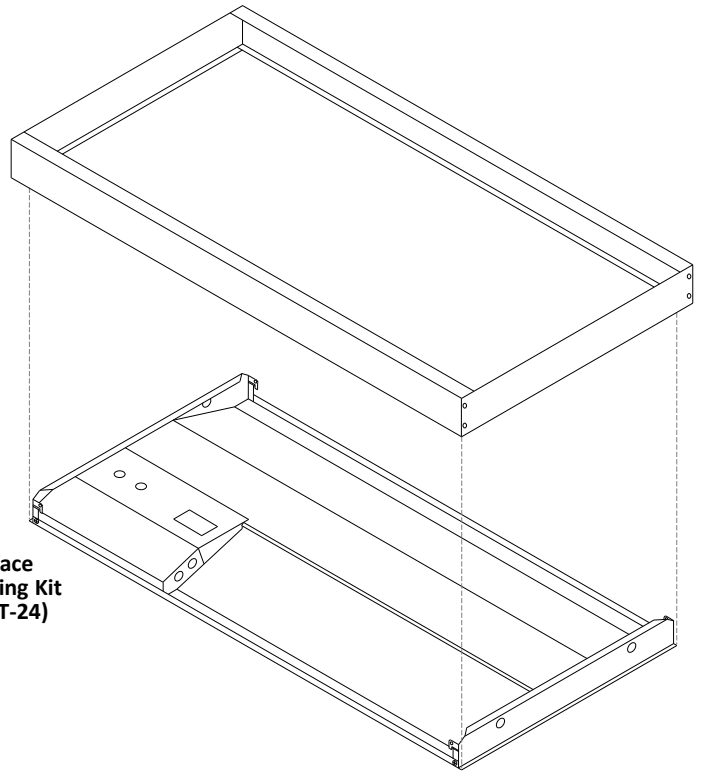
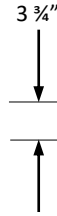
| Zone    | Lumens | %Fixt  |
|---------|--------|--------|
| 0-20°   | 689    | 12.1%  |
| 0-30°   | 1,465  | 25.8%  |
| 0-40°   | 2,407  | 42.4%  |
| 20-50°  | 2,706  | 47.7%  |
| 40-70°  | 2,630  | 46.3%  |
| 0-60°   | 4,305  | 75.9%  |
| 0-80°   | 5,526  | 97.4%  |
| 0-90°   | 5,671  | 99.9%  |
| 90-180° | 4      | 0.1%   |
| 0-180°  | 5,675  | 100.0% |



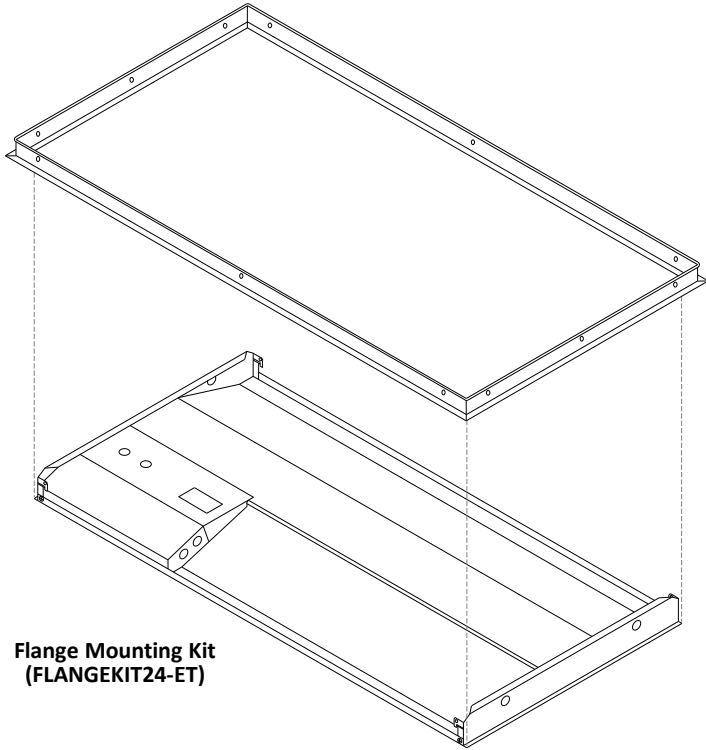
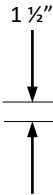


## MOUNTING MEANS – ORDER SEPARATELY

- *Optional surface mounting kits (SMKT-24) mounts below the ceiling.*
- *Optional flange mounting kits provide for recessed installation on plaster or other hard ceilings. Attach Flange Mount Kit (FLANGEKIT24-ET) to ceiling joists or other stationary structures, and the panel is mounted flush to the ceiling.*
- *Optional cable mounting kits provide additional security, as well as suspended mounting. Attach one end of the Cable Mount Kit (PNL-CM) to luminaire earthquake clips using spring clips, and attach the other end to stationary structures using the adjustable, locking ceiling attachment (see picture below right).*

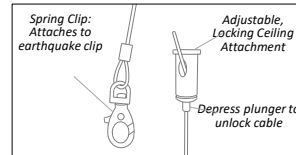


**Surface Mounting Kit (SMKT-24)**



**Flange Mounting Kit (FLANGEKIT24-ET)**

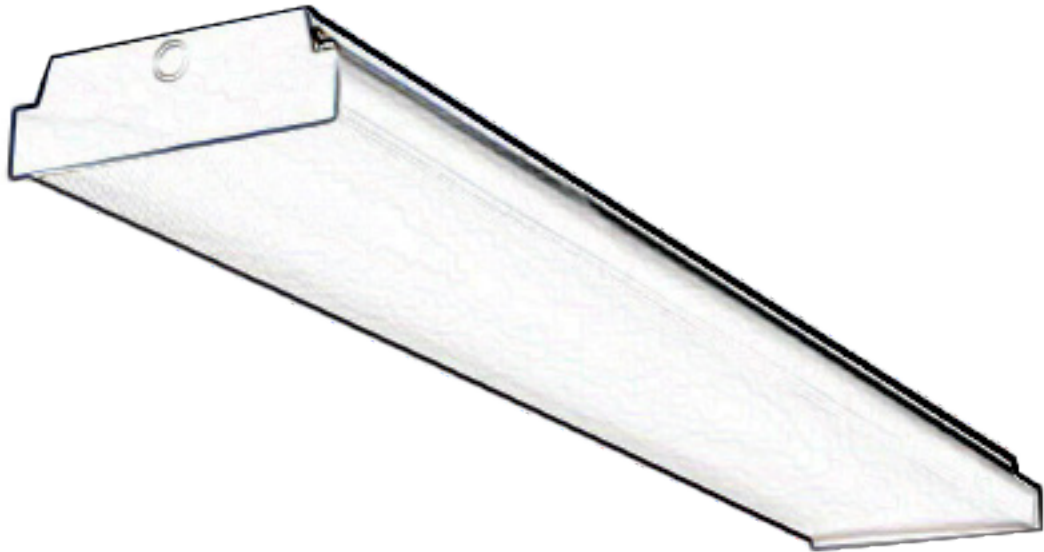
### Cable Mounting Kit (PNL-CM)



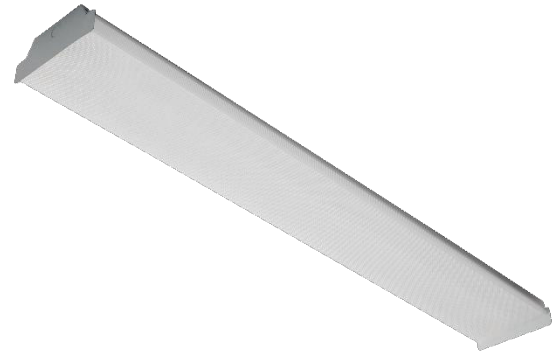
#### Cable Mount Kit:

- Spring Clip
- Adjustable, locking ceiling attachment

# Wraps



## Lumen and Kelvin Field Selectable Wrap Light



### STANDARD



### FEATURES

- Field selectable 3500k (warm/neutral white), 4000k (neutral white), and 5000k (cool white) color temperatures.\*
- Long-life LEDs provide 196,000 hours of operation with at least 70% of initial lumen output ( $L_{70}$ ), and 60,000 hours with at least 90% of initial lumen output ( $L_{90}$ ).\*\*
- LED chromaticity based on  $\leq 4$ -step ANSI quadrangles.
- LED color maintenance  $\leq 0.002$  chromaticity shift ( $\Delta u'v'$ ) over the initial 6,000 hours of operation.
- WR-5L-LKFS provides a range of 4,100 to 5,800 nominal lumens and 132 to 154 lumens per watt (LPW).\*
- Universal 120-277 AC voltage (50-60Hz) is standard.
- 0-10vdc dimming drivers are standard.
- Power factor  $> 0.90$ .
- Total harmonic distortion  $< 20\%$ .
- Color rendering index  $> 80$ .
- Steel housing and PMMA lens.
- Optional emergency drivers and occupancy sensors are available.
- Easy installation in new construction or retrofit.

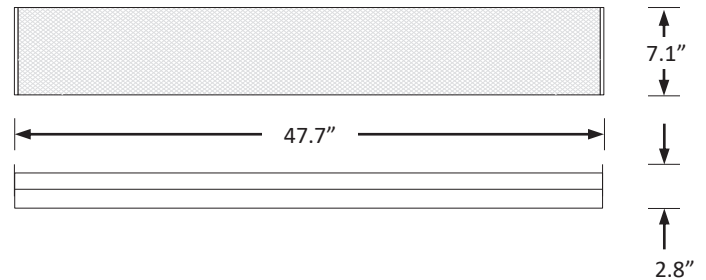
\* Contact factory for other color temperatures and lumen packages.

\*\*  $L_{70}$  hours are IES TM-21-11 calculated hours.

### WARRANTY & LISTINGS

- cULus approved for damp locations in ambient temperatures from  $-20^{\circ}\text{C}$  to  $60^{\circ}\text{C}$  ( $-4^{\circ}\text{F}$  to  $140^{\circ}\text{F}$ ).
- DLC approved.
- Complies with FCC Part 15, Class B.
- Complies with IEEE C.62.41-1991, Class A input transient surge protection (2.5kV).
- 5-year warranty of all electronics and housing.

### DIMENSIONS



**Weight: 8 lbs.**

### ORDERING INFORMATION

Example: WR-5L-LKFS-ODS-EM10-OB

| Series | Nominal Lumen Output |                      | Select | Occupancy Sensor <sup>12</sup> |                     | Internally Installed Emergency Drivers <sup>3</sup> |                     | Controls |                   |
|--------|----------------------|----------------------|--------|--------------------------------|---------------------|---|---------------------|----------|-------------------|
|        | 5L                   | 5,000 nominal lumens |        | OS                             | Passive infrared    | EM10  | 1,390 lumens        | BT       | Bluetooth control |
| WR     | 5L                   | 5,000 nominal lumens | LKFS   | ODS                            | Microwave           | EM13  | 1,780 lumens        | OB       | On board dimmer   |
|        |                      |                      |        | Blank                          | No occupancy sensor | Blank   | No emergency driver | Blank    | No control/dimmer |

<sup>1</sup> Contact factory for other sensors.

<sup>2</sup> OS = passive infrared technology – features include on/off only. ODS = microwave technology – features include on/off, step-dimming, and daylight threshold. Default sensor settings: detection area = 100%, hold time = 20 minutes, stand-by period = 10 minutes, stand-by dimming level = 50%, daylight threshold = disabled. Remote control optional but not required, part number = MWAVEDHS-REM.

<sup>3</sup> See emergency driver compatibility list (page 2).

## COMPATIBLE EMERGENCY DRIVERS\*

| Emergency Driver Part Number | EM10  |           | EM13  |           |
|------------------------------|-------|-----------|-------|-----------|
|                              | Watts | EM Lumens | Watts | EM Lumens |
| WR-5L-LKFS                   | 10    | 1320      | 13    | 1720      |

\* Suitable for ambient temperatures above 10°C (50°F).

## COMPATIBLE EMERGENCY DRIVERS INTERNALLY INSTALLED <sup>1 2</sup>

| Model      | Emergency Options |
|------------|-------------------|
| WR-5L-LKFS | EM10<br>EM13      |

<sup>1</sup> Suitable for ambient temperatures above 10°C (50°F).

<sup>2</sup> For list of remote mountable emergency drivers, see *ACCESSORIES*.

## ACCESSORIES (Order Separately)

### Remote Mount Emergency Drivers\*

BLEM-CP-10C = Emergency driver - EM10

BLEM-CP-13C = Emergency driver - EM13

\* Suitable for ambient temperatures above 10°C (50°F).

## COMPATIBLE DIMMERS & CONTROLS

| Manufacturer | Model Number | Dimming Range | Load Switching Capacity |
|--------------|--------------|---------------|-------------------------|
|              | DWS-010V-T   | 10%-100%      | 600W                    |
|              | DWS-010V-D   | 10%-100%      | 600W                    |
| Leviton      | IP710-LFZ    | 10%-100%      | 1200W                   |
| Lutron       | DVSTV        | 10%-100%      | 450W                    |
| Vealite*     | PPA401S      | 10%-100%      | 1200W                   |
| Keilton      | PPA102S      | 10%-100%      | 360W                    |

\* Remote control required (sold separately). Part number WP401.

## ELECTRICAL DATA

| Series       | Measurements      | Low Lumens   |              |              | Mid Lumens   |              |              | High Lumens  |              |              |
|--------------|-------------------|--------------|--------------|--------------|--------------|--------------|--------------|--------------|--------------|--------------|
|              |                   | 3500K        | 4000K        | 5000K        | 3500K        | 4000K        | 5000K        | 3500K        | 4000K        | 5000K        |
| WR-5L-LKFS   | Lumens            | 4155         | 4336         | 4233         | 4750         | 4932         | 4817         | 5423         | 5837         | 5503         |
|              | Watts             | 30           | 28           | 30           | 35           | 32           | 35           | 41           | 39           | 41           |
|              | Efficacy          | 138          | 154          | 141          | 135          | 152          | 137          | 132          | 149          | 134          |
|              | Input Current (A) | 120V = 0.25A | 120V = 0.23A | 120V = 0.25A | 120V = 0.29A | 120V = 0.27A | 120V = 0.29A | 120V = 0.34A | 120V = 0.33A | 120V = 0.34A |
| 240V = 0.13A |                   | 240V = 0.12A | 240V = 0.13A | 240V = 0.15A | 240V = 0.13A | 240V = 0.15A | 240V = 0.17A | 240V = 0.16A | 240V = 0.17A |              |
| 277V = 0.11A |                   | 277V = 0.10A | 277V = 0.11A | 277V = 0.13A | 277V = 0.12A | 277V = 0.13A | 277V = 0.15A | 277V = 0.14A | 277V = 0.15A |              |

## PHOTOMETRIC DATA

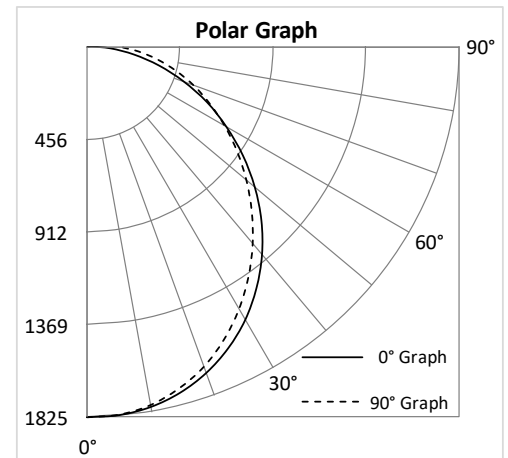
### WR-5L-LKFS

#### Luminaire Data

|                             |                               |
|-----------------------------|-------------------------------|
| Description                 | 4' WRAP LIGHT<br>5L 5K - LKFS |
| Total Lumens                | 5,504                         |
| Input Wattage               | 41                            |
| Efficacy (lm/W)             | 134                           |
| Spacing Criterion (0-180°)  | 1.28                          |
| Spacing Criterion (90-270°) | 1.22                          |

#### Zonal Lumen Summary

| Zone    | Lumens | %Fixt  |
|---------|--------|--------|
| 0-20°   | 665    | 12.1%  |
| 0-30°   | 1,403  | 25.5%  |
| 0-40°   | 2,280  | 41.4%  |
| 20-50°  | 2,514  | 45.7%  |
| 40-70°  | 2,339  | 42.5%  |
| 0-60°   | 3,986  | 72.4%  |
| 0-80°   | 5,034  | 91.5%  |
| 0-90°   | 5,228  | 95.0%  |
| 90-180° | 276    | 5.0%   |
| 0-180°  | 5,504  | 100.0% |



## Lumen and Kelvin Field Selectable Wrap Light Economy



### STANDARD



### FEATURES

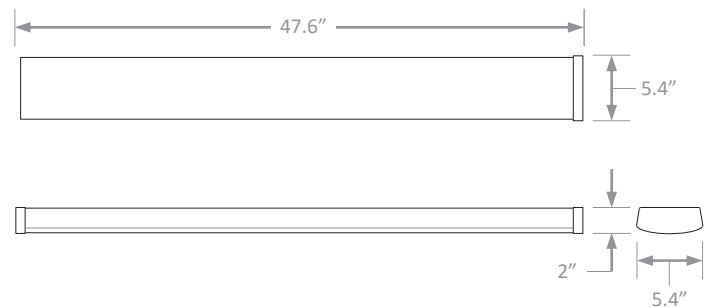
- Field selectable 3500k (warm/neutral white), 4000k (neutral white), and 5000k (cool white) color temperatures.\*
- Long-life LEDs provide 196,000 hours of operation with at least 70% of initial lumen output (L<sub>70</sub>), and 60,000 hours with at least 90% of initial lumen output (L<sub>90</sub>).\*\*
- LED chromaticity based on ≤ 7-step ANSI quadrangles.
- Selectable lumen outputs range from 4,000, 5,000 to 6,000 nominal lumens.\*
- Universal 120-277 AC voltage (50-60Hz) is standard.
- 0-10vdc dimming is standard.
- Power factor > 0.90.
- Total harmonic distortion < 20%.
- Color rendering index > 80.
- Steel housing.
- Polycarbonate lens.
- Easy installation in new construction or retrofit applications.

\* Contact factory for other color temperatures and lumen packages.  
\*\* L70 hours are IES TM-21-11 calculated hours.

### WARRANTY & LISTINGS

- cULus listed for damp locations in ambient temperatures from -25°C to 50°C (-13°F to 122°F).
- DLC approved.
- Complies with FCC Part 15, class A.
- Complies with IEEE C.62.41-2002, input transient protection (1.0kV).
- Flicker-free per IEEE1789-2015 (no observable adverse effects of flicker at 100% light output level).
- 5-year warranty of all electronics and housing.

### DIMENSIONS



**Weight: 3.7 lbs.**

### ORDERING INFORMATION

Example: WRE-6L-LKFS

| Series | Nominal Lumen Output |                      | Select |
|--------|----------------------|----------------------|--------|
| WRE    | 6L                   | 6,000 nominal lumens | LKFS   |

## ELECTRICAL DATA

| Series       | Measurements      | Low Lumens   |              |              | Mid Lumens   |              |              | High Lumens  |              |              |
|--------------|-------------------|--------------|--------------|--------------|--------------|--------------|--------------|--------------|--------------|--------------|
|              |                   | 3500K        | 4000K        | 5000K        | 3500K        | 4000K        | 5000K        | 3500K        | 4000K        | 5000K        |
| WRE-LKFS     | Lumens            | 3827         | 3925         | 3966         | 4756         | 5017         | 4936         | 5531         | 5880         | 5732         |
|              | Watts             | 30           | 30           | 30           | 39           | 39           | 39           | 47           | 45           | 47           |
|              | Efficacy          | 126          | 131          | 131          | 122          | 128          | 127          | 118          | 131          | 122          |
|              | Input Current (A) | 120V = 0.25A | 120V = 0.25A | 120V = 0.25A | 120V = 0.33A | 120V = 0.33A | 120V = 0.33A | 120V = 0.39A | 120V = 0.38A | 120V = 0.39A |
| 240V = 0.13A |                   | 240V = 0.13A | 240V = 0.13A | 240V = 0.16A | 240V = 0.16A | 240V = 0.16A | 240V = 0.20A | 240V = 0.19A | 240V = 0.20A |              |
| 277V = 0.11A |                   | 277V = 0.11A | 277V = 0.11A | 277V = 0.14A | 277V = 0.14A | 277V = 0.14A | 277V = 0.17A | 277V = 0.16A | 277V = 0.17A |              |

## PHOTOMETRIC DATA

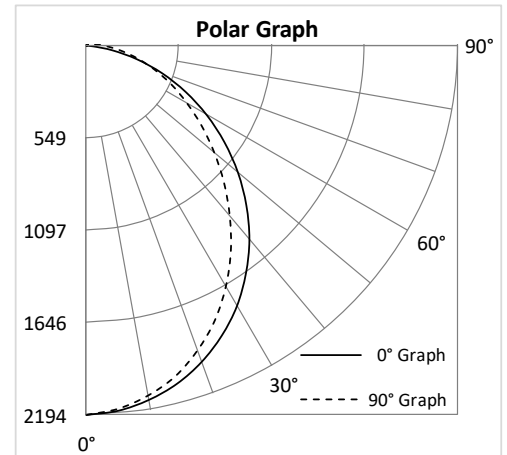
### WRE-6L-LKFS

#### Luminaire Data

|                                |                         |
|--------------------------------|-------------------------|
| Description                    | ECONOMY<br>6L 5K - LKFS |
| Total Lumens                   | 5,734                   |
| Input Wattage                  | 47                      |
| Efficacy (lm/W)                | 123                     |
| Spacing Criterion<br>(0-180°)  | 1.22                    |
| Spacing Criterion<br>(90-270°) | 1.14                    |

#### Zonal Lumen Summary

| Zone    | Lumens | %Fixt  |
|---------|--------|--------|
| 0-20°   | 795    | 13.9%  |
| 0-30°   | 1,667  | 29.1%  |
| 0-40°   | 2,683  | 46.8%  |
| 20-50°  | 2,897  | 50.5%  |
| 40-70°  | 2,517  | 43.9%  |
| 0-60°   | 4,560  | 79.5%  |
| 0-80°   | 5,568  | 97.1%  |
| 0-90°   | 5,694  | 99.3%  |
| 90-180° | 40     | 0.7%   |
| 0-180°  | 5,734  | 100.0% |



## COMPATIBLE DIMMERS & CONTROLS

| Manufacturer | Model Number | Dimming Range | Load Switching Capacity |
|--------------|--------------|---------------|-------------------------|
|              | DWS-010V-T   | 10%-100%      | 600W                    |
|              | DWS-010V-D   | 10%-100%      | 600W                    |
| Leviton      | IP710-LFZ    | 10%-100%      | 1200W                   |
| Lutron       | DVSTV        | 10%-100%      | 450W                    |

## 4- Foot Economy Wrap



### STANDARD



### FEATURES

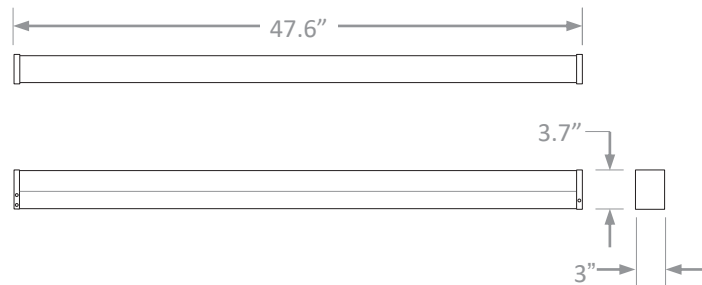
- Available in 3000k (warm white), 4000k (neutral white) and 5000k (cool white) color temperatures.\*
- Long-life LEDs provide at least 147,000 hours of operation with at least 70% of initial lumen output (L<sub>70</sub>).\*\*
- Provides 4,000 nominal lumens.
- 35 nominal watts.
- Universal 120-277 AC voltage (50-60Hz) is standard.
- Power factor > 0.90.
- Total harmonic distortion < 20%.
- Color rendering index > 80.
- Includes round plate to cover ceiling-mounted junction box.
- Easy installation in new construction or retrofit applications.

\* Contact factory for other color temperatures and lumen packages.  
 \*\* L70 hours are IES TM-21-11 calculated hours.

### WARRANTY & LISTINGS

- cULus listed for damp locations in ambient temperatures from -15°C to 50°C (5°F to 122°F).
- Complies with FCC Part 15, class B.
- Complies with IEC61000-4-5, input transient protection (1.0kV).
- 5-year warranty of all electronics and housing.

### DIMENSIONS



**Weight: 3.7 lbs.**

### ORDERING INFORMATION

Example: WLE-4FT-40L-3K

| Series | Length |     | Nominal Lumen Output |     | Color Temperature |       |
|--------|--------|-----|----------------------|-----|-------------------|-------|
|        | WLE    | 4FT | 4-Foot               | 40L | 4,000 Lumens      | 3K    |
|        |        |     |                      |     | 4K                | 4000k |
|        |        |     |                      |     | 5K                | 5000k |



**ELECTRICAL DATA**

| Model          | Color Temp. | CRI <sup>1</sup> | Luminaire Lumens | Luminaire Watts | Lumens Per Watt | Input Voltage | Input Current (A) |      |      | Power Factor | THD <sup>2</sup> | L <sub>70</sub> Hours <sup>3</sup> |
|----------------|-------------|------------------|------------------|-----------------|-----------------|---------------|-------------------|------|------|--------------|------------------|------------------------------------|
|                |             |                  |                  |                 |                 |               | 120V              | 240V | 277V |              |                  |                                    |
| WLE-4FT-40L-3K | 3000k       | > 80             | 4,034            | 35              | 116             | 120-277       | 0.29              | 0.15 | 0.13 | > 90%        | < 20%            | 147,000                            |
| WLE-4FT-40L-4K | 4000k       | > 80             | 4,119            | 35              | 118             | 120-277       | 0.29              | 0.15 | 0.13 | > 90%        | < 20%            | 147,000                            |
| WLE-4FT-40L-5K | 5000k       | > 80             | 4,203            | 35              | 120             | 120-277       | 0.29              | 0.15 | 0.13 | > 90%        | < 20%            | 147,000                            |

<sup>1</sup> Color rendering index

<sup>2</sup> Total harmonic distortion

<sup>3</sup> L<sub>70</sub> refers to the number of hours at which lumen output declines to 70% of the initial level. L<sub>70</sub> hours are IES TM-21-11 calculated hours.

**PHOTOMETRIC DATA**

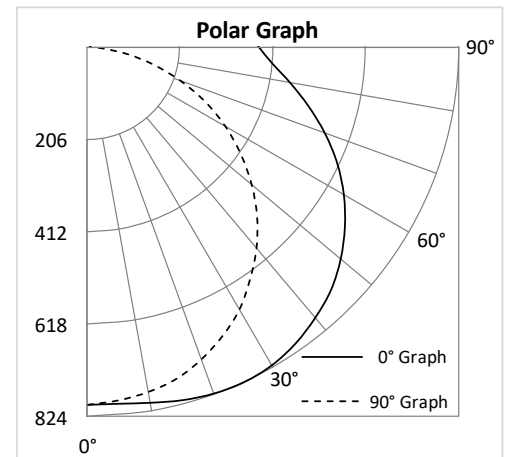
**WLE-4FT-40L-5K**

**Luminaire Data**

|                             |                           |
|-----------------------------|---------------------------|
| Description                 | 4FT Wrap Light<br>40L, 5K |
| Total Lumens                | 4,203                     |
| Input Wattage               | 35                        |
| Efficacy (lm/W)             | 120                       |
| Spacing Criterion (0-180°)  | 1.54                      |
| Spacing Criterion (90-270°) | 1.26                      |

**Zonal Lumen Summary**

| Zone    | Lumens | %Fixt  |
|---------|--------|--------|
| 0-20°   | 300    | 7.1%   |
| 0-30°   | 657    | 15.6%  |
| 0-40°   | 1,116  | 26.5%  |
| 20-50°  | 1,332  | 31.7%  |
| 40-70°  | 1,515  | 36.0%  |
| 0-60°   | 2,154  | 51.3%  |
| 0-80°   | 3,017  | 71.8%  |
| 0-90°   | 3,304  | 78.6%  |
| 90-180° | 899    | 21.4%  |
| 0-180°  | 4,203  | 100.0% |



## Undercabinet Economy Kelvin Field Selectable

### STANDARD



### FEATURES

- Field selectable 2700k (soft white), 3000k (warm white), 3500k (warm/neutral white), 4000k (neutral white) and 5000k (cool white) color temperatures.\*
- Long-life LEDs provide up to 196,000 hours of operation with at least 70% of initial lumen output (L<sub>70</sub>).\*\*
- Available models provide from 334 to 1,543 nominal lumens.\*
- 120 AC voltage (60Hz) is standard.
- Power factor > 90.
- Total harmonic distortion < 20%.
- Color rendering index > 90.
- Steel housing.
- Polycarbonate lens.
- Knockouts on sides and back simplify electrical connections.
- Keyhole slots provide for easy installation in new construction or retrofit applications.

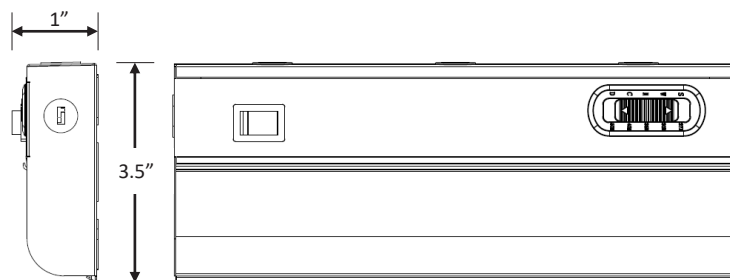
\* Contact factory for other color temperatures and lumen packages.  
\*\* L70 hours are IES TM-21-11 calculated hours.



### WARRANTY & LISTINGS

- cULus listed for damp locations.
- Energy Star certified.
- Complies with FCC Part 15, class B.
- Complies with ANSI/IEEE C62.41.1-2002, surge immunity protection (2.5kV).
- 5-year warranty of all electronics and housing.

### DIMENSIONS



| Series       | UCE-9 | UCE-12 | UCE-18 | UCE-21 | UCE-24 | UCE-33 | UCE-42 |
|--------------|-------|--------|--------|--------|--------|--------|--------|
| Length       | 9"    | 12"    | 18"    | 21"    | 24"    | 33"    | 42"    |
| Weight (lbs) | 0.80  | 1      | 1.30   | 1.60   | 1.70   | 2.40   | 3      |

### ORDERING INFORMATION

Example: UCE-24-KFS

| Series | Length (ft.) | Color Temperature |       |
|--------|--------------|-------------------|-------|
|        |              | KFS*              |       |
| UCE    | 9            | KFS*              | 2700k |
|        | 12           |                   | 3000k |
|        | 18           |                   | 3500k |
|        | 21           |                   | 4000k |
|        | 24           |                   | 5000k |
|        | 33           |                   |       |
|        | 42           |                   |       |

\* Field selectable kelvin temperatures.

## ELECTRICAL DATA

| Series       | Measurements      | UCE-9-KFS    |              |              |              |              | UCE-12-KFS   |              |              |              |              |
|--------------|-------------------|--------------|--------------|--------------|--------------|--------------|--------------|--------------|--------------|--------------|--------------|
|              |                   | 2700k        | 3000k        | 3500k        | 4000K        | 5000K        | 2700k        | 3000k        | 3500k        | 4000K        | 5000K        |
| UCE-KFS      | Lumens            | 334          | 391          | 398          | 412          | 391          | 390          | 414          | 439          | 450          | 444          |
|              | Watts             | 5            | 5            | 5            | 5            | 5            | 5            | 5            | 5            | 5            | 5            |
|              | Efficacy          | 66           | 73           | 82           | 86           | 79           | 78           | 83           | 90           | 92           | 88           |
|              | Input Current (A) | 120V = 0.04A | 120V = 0.04A | 120V = 0.04A | 120V = 0.04A | 120V = 0.04A | 120V = 0.04A | 120V = 0.04A | 120V = 0.04A | 120V = 0.04A | 120V = 0.04A |
| 240V = 0.02A |                   | 240V = 0.02A | 240V = 0.02A | 240V = 0.02A | 240V = 0.02A | 240V = 0.02A | 240V = 0.02A | 240V = 0.02A | 240V = 0.02A | 240V = 0.02A |              |
| 277V = 0.02A |                   | 277V = 0.02A | 277V = 0.02A | 277V = 0.02A | 277V = 0.02A | 277V = 0.02A | 277V = 0.02A | 277V = 0.02A | 277V = 0.02A | 277V = 0.02A |              |
| Series       | Measurements      | UCE-18-KFS   |              |              |              |              | UCE-21-KFS   |              |              |              |              |
|              |                   | 2700k        | 3000k        | 3500k        | 4000K        | 5000K        | 2700k        | 3000k        | 3500k        | 4000K        | 5000K        |
| UCE-KFS      | Lumens            | 673          | 719          | 760          | 770          | 720          | 665          | 703          | 742          | 764          | 746          |
|              | Watts             | 9            | 9            | 9            | 9            | 9            | 9            | 9            | 9            | 9            | 9            |
|              | Efficacy          | 75           | 81           | 88           | 88           | 79           | 76           | 81           | 87           | 90           | 85           |
|              | Input Current (A) | 120V = 0.08A | 120V = 0.08A | 120V = 0.08A | 120V = 0.08A | 120V = 0.08A | 120V = 0.08A | 120V = 0.08A | 120V = 0.08A | 120V = 0.08A | 120V = 0.08A |
| 240V = 0.04A |                   | 240V = 0.04A | 240V = 0.04A | 240V = 0.04A | 240V = 0.04A | 240V = 0.04A | 240V = 0.04A | 240V = 0.04A | 240V = 0.04A | 240V = 0.04A |              |
| 277V = 0.03A |                   | 277V = 0.03A | 277V = 0.03A | 277V = 0.03A | 277V = 0.03A | 277V = 0.03A | 277V = 0.03A | 277V = 0.03A | 277V = 0.03A | 277V = 0.03A |              |
| Series       | Measurements      | UCE-24-KFS   |              |              |              |              | UCE-33-KFS   |              |              |              |              |
|              |                   | 2700k        | 3000k        | 3500k        | 4000K        | 5000K        | 2700k        | 3000k        | 3500k        | 4000K        | 5000K        |
| UCE-KFS      | Lumens            | 696          | 736          | 779          | 803          | 786          | 1064         | 1152         | 1214         | 1245         | 1202         |
|              | Watts             | 9            | 9            | 9            | 9            | 9            | 14           | 14           | 14           | 14           | 14           |
|              | Efficacy          | 76           | 82           | 88           | 91           | 86           | 76           | 84           | 90           | 91           | 85           |
|              | Input Current (A) | 120V = 0.08A | 120V = 0.08A | 120V = 0.08A | 120V = 0.08A | 120V = 0.08A | 120V = 0.08A | 120V = 0.12A | 120V = 0.12A | 120V = 0.12A | 120V = 0.12A |
| 240V = 0.04A |                   | 240V = 0.04A | 240V = 0.04A | 240V = 0.04A | 240V = 0.04A | 240V = 0.04A | 240V = 0.06A | 240V = 0.06A | 240V = 0.06A | 240V = 0.06A | 240V = 0.06A |
| 277V = 0.03A |                   | 277V = 0.03A | 277V = 0.03A | 277V = 0.03A | 277V = 0.03A | 277V = 0.03A | 277V = 0.05A | 277V = 0.05A | 277V = 0.05A | 277V = 0.05A | 277V = 0.05A |
| Series       | Measurements      | UCE-42-KFS   |              |              |              |              |              |              |              |              |              |
|              |                   | 2700k        | 3000k        | 3500k        | 4000K        | 5000K        |              |              |              |              |              |
| UCE-KFS      | Lumens            | 1315         | 1415         | 1514         | 1543         | 1488         |              |              |              |              |              |
|              | Watts             | 18           | 18           | 18           | 18           | 18           |              |              |              |              |              |
|              | Efficacy          | 72           | 79           | 87           | 88           | 82           |              |              |              |              |              |
|              | Input Current (A) | 120V = 0.15A | 120V = 0.15A | 120V = 0.15A | 120V = 0.15A | 120V = 0.15A |              |              |              |              |              |
| 240V = 0.08A |                   | 240V = 0.08A | 240V = 0.08A | 240V = 0.08A | 240V = 0.08A |              |              |              |              |              |              |
| 277V = 0.06A |                   | 277V = 0.06A | 277V = 0.06A | 277V = 0.06A | 277V = 0.06A |              |              |              |              |              |              |



## Warranty

Americanlite® is pleased to provide a 5 year limited warranty covering the fixtures and lamps in this catalogue. Americanlite® warrants that the fixtures comply with Americanlite®'s published specifications and are free from defects in materials and workmanship.

All our equipment is CE, TUV, FCC or UL approved and manufactured with approved components. Americanlite® reserves the right to change or improve the design or components of any of its products due to parts availability or changes in standards, without assuming any obligation to modify any product previously manufactured and without notice. All equipment is tested and inspected before shipment.

This warranty is void if the product is operated outside of its normal operating conditions. The foregoing warranty does not apply to failures caused by acts of God or as a result of any abuse, misuse, abnormal use, or use in violation of any applicable standard, code or instructions for use in installations, including, but not limited to, those contained in the Standards for the International Electrotechnical Commission. Americanlite® reserves and has the right to examine failed ballast to determine the cause of failure, excessive lumen depreciation and patterns of usage.