

OUTDOOR LIGHTING

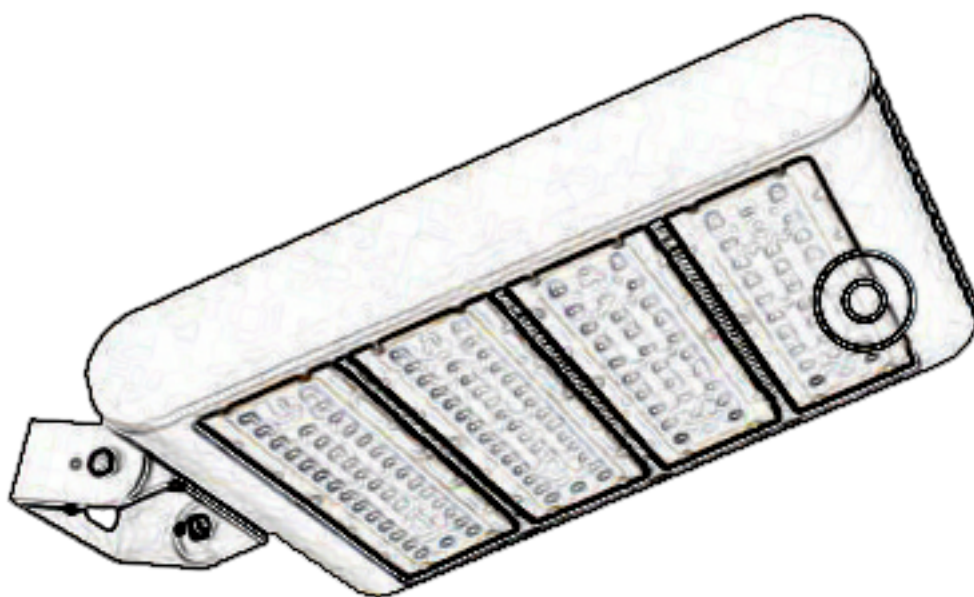
USA QuickShip program

americanlite[®]

We light your world[™]



Floodlites™ and Streetlites™



Lumen and Kelvin Field Selectable Multi-Purpose Area Light Pro

STANDARD



FEATURES

- Field selectable 3000k (warm white), 4000k (neutral white), and 5000k (cool white) color temperatures.*
- Long-life LEDs provide 162,000 hours of operation with at least 70% of initial lumen output (L_{70}), and 49,000 hours with at least 90% of initial lumen output (L_{90}).**
- LED chromaticity based on ≤ 6 -step ANSI quadrangles.
- LED color maintenance ≤ 0.002 chromaticity shift ($\Delta u'v'$) over the initial 6,000 hours of operation.
- Provides a range of 14,000 to 40,000 nominal lumens.*
- IES roadway distributions include types III & V.
- Universal 120-277V (50/60Hz) or 277-480V (50/60Hz) AC voltage with 6-foot incoming power cords.
- 0-10vdc dimming drivers are standard.
- Watertight, compression-type electrical connectors.
- Power factor > 0.90 .
- Total harmonic distortion $< 20\%$.
- Color rendering index (R_a) > 80 .
- Optional NEMA photocell receptacle & photocell.
- Wall mount brackets and tenon adapters available (see page 6).
- Die cast aluminum housing with dark bronze powder coat finish.
- Polycarbonate lens.
- Easy installation in new construction or retrofit.

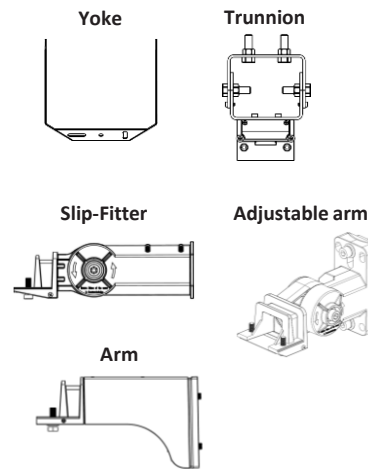
* Contact factory for other color temperatures and lumen packages.
** L_{70} hours are IES TM-21-11 calculated hours.



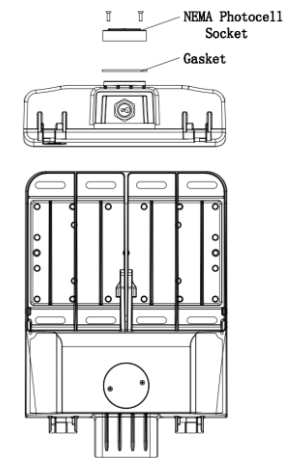
WARRANTY & LISTINGS

- cULus listed for wet locations in ambient temperatures from -40°C to 50°C (-40°F to 122°F).
- DLC premium approved.
- Rated for 3G vibration.
- Lenses are rated IK08.
- Input transient surge protection (6kV).
- Complies with FCC Part 15, class A.
- IP65 rated for ingress protection.
- 5-year warranty of all electronics and housing.

MOUNTING OPTIONS



NEMA PHOTOCELL



ORDERING INFORMATION

Example: MPALPRO-24L-LKFS-T3-P

Series	Nominal Lumen Output Selectable		Select		Distribution		Input Voltage		NEMA Photocell Receptacle*		Mounting Means (One Required - Order Separately)*	
	24L	40L	LKFS	3K/4K/5K	T3	Type III	Blank	120-277	Blank	No receptacle	MPAL-ARM	Arm mount
MPALPRO	24L	24,000/20,000/14,000	LKFS	3K/4K/5K	T3	Type III	Blank	120-277	P	3-pin NEMA photocell receptacle	MPAL-ARM-A	Arm mount adjustable
	40L	40,000/34,000/28,000			T5	Type V	UNC	277-480			MPAL-SF	Slip-fitter mount
											MPAL-TM	Trunnion mount
											MPAL-YM	Yoke mount

*NEMA photocell sold separately:
JL-205C23-IP65

*Pole tenons and tenon adapters available (see page 6)

ELECTRICAL DATA

Series	Measurements	Low Lumens			Mid Lumens			High Lumens		
		3000K	4000K	5000K	3000K	4000K	5000K	3000K	4000K	5000K
MPALPRO-24L-LKFS-T3	Lumens	14,649	16,173	15,115	20,273	22,824	20,939	24,056	26,598	24,591
	Watts	101	100	102	150	146	152	186	178	187
	Efficacy	145	162	148	135	156	138	130	150	131
	Input Current (A)	120V = 0.84A	120V = 0.83A	120V = 0.85A	120V = 1.25A	120V = 1.22A	120V = 1.27A	120V = 1.55A	120V = 1.48A	120V = 1.56A
240V = 0.42A		240V = 0.42A	240V = 0.43A	240V = 0.63A	240V = 0.61A	240V = 0.63A	240V = 0.78A	240V = 0.74A	240V = 0.78A	
277V = 0.36A		277V = 0.36A	277V = 0.37A	277V = 0.54A	277V = 0.53A	277V = 0.55A	277V = 0.67A	277V = 0.64A	277V = 0.68A	
Series	Measurements	Low Lumens			Mid Lumens			High Lumens		
		3000K	4000K	5000K	3000K	4000K	5000K	3000K	4000K	5000K
MPALPRO-24L-LKFS-T5	Lumens	15,049	16,748	15,656	20,616	23,398	21,498	24,156	26,788	25,153
	Watts	101	100	102	150	145	151	186	178	187
	Efficacy	149	167	154	137	161	142	130	150	134
	Input Current (A)	120V = 0.84A	120V = 0.83A	120V = 0.85A	120V = 1.25A	120V = 1.21A	120V = 1.26A	120V = 1.55A	120V = 1.48A	120V = 1.56A
240V = 0.42A		240V = 0.42A	240V = 0.43A	240V = 0.63A	240V = 0.60A	240V = 0.63A	240V = 0.78A	240V = 0.74A	240V = 0.78A	
277V = 0.36A		277V = 0.36A	277V = 0.37A	277V = 0.54A	277V = 0.52A	277V = 0.55A	277V = 0.67A	277V = 0.64A	277V = 0.68A	
Series	Measurements	Low Lumens			Mid Lumens			High Lumens		
		3000K	4000K	5000K	3000K	4000K	5000K	3000K	4000K	5000K
MPALPRO-40L-LKFS-T3	Lumens	28,924	32,211	30,104	33,874	37,248	35,140	40,091	44,173	41,188
	Watts	204	198	204	248	232	247	303	284	303
	Efficacy	142	163	148	137	160	142	132	156	136
	Input Current (A)	120V = 1.70A	120V = 1.65A	120V = 1.70A	120V = 2.07A	120V = 1.93A	120V = 2.06A	120V = 2.53A	120V = 2.37A	120V = 2.53A
240V = 0.85A		240V = 0.82A	240V = 0.85A	240V = 1.03A	240V = 0.97A	240V = 1.03A	240V = 1.26A	240V = 1.18A	240V = 1.26A	
277V = 0.74A		277V = 0.71A	277V = 0.74A	277V = 0.90A	277V = 0.84A	277V = 0.89A	277V = 1.09A	277V = 1.03A	277V = 1.09A	
Series	Measurements	Low Lumens			Mid Lumens			High Lumens		
		3000K	4000K	5000K	3000K	4000K	5000K	3000K	4000K	5000K
MPALPRO-40L-LKFS-T5	Lumens	29,447	33,006	30,873	34,329	37,862	35,862	39,723	44,079	41,462
	Watts	204	197	203	247	231	246	298	283	297
	Efficacy	144	168	152	139	164	146	133	156	140
	Input Current (A)	120V = 1.70A	120V = 1.64A	120V = 1.69A	120V = 2.06A	120V = 1.93A	120V = 2.05A	120V = 2.48A	120V = 2.36A	120V = 2.48A
240V = 0.85A		240V = 0.82A	240V = 0.85A	240V = 1.03A	240V = 0.96A	240V = 1.03A	240V = 1.24A	240V = 1.18A	240V = 1.24A	
277V = 0.74A		277V = 0.71A	277V = 0.73A	277V = 0.89A	277V = 0.83A	277V = 0.89A	277V = 1.08A	277V = 1.02A	277V = 1.07A	

ELECTRICAL DATA

Series	Measurements	Low Lumens			Mid Lumens			High Lumens		
		3000K	4000K	5000K	3000K	4000K	5000K	3000K	4000K	5000K
MPALPRO-24L-LKFS-T3-UNC	Lumens	13,690	14,765	14,335	20,219	22,312	21,049	24,196	26,737	24,925
	Watts	99	96	100	153	149	155	192	183	193
	Efficacy	139	154	143	132	150	135	126	146	129
	Input Current (A)	277V = 0.36A	277V = 0.35A	277V = 0.36A	277V = 0.55A	277V = 0.54A	277V = 0.56A	277V = 0.69A	277V = 0.66A	277V = 0.70A
347V = 0.29A		347V = 0.28A	347V = 0.29A	347V = 0.44A	347V = 0.43A	347V = 0.45A	347V = 0.55A	347V = 0.53A	347V = 0.56A	
480V = 0.21A		480V = 0.20A	480V = 0.21A	480V = 0.32A	480V = 0.31A	480V = 0.32A	480V = 0.40A	480V = 0.38A	480V = 0.40A	

Series	Measurements	Low Lumens			Mid Lumens			High Lumens		
		3000K	4000K	5000K	3000K	4000K	5000K	3000K	4000K	5000K
MPALPRO-24L-LKFS-T5-UNC	Lumens	13,916	14,870	14,480	20,405	22,381	21,093	24,505	26,840	25,382
	Watts	98	95	99	152	147	153	192	183	193
	Efficacy	142	157	147	134	153	138	128	147	131
	Input Current (A)	277V = 0.35A	277V = 0.34A	277V = 0.36A	277V = 0.55A	277V = 0.53A	277V = 0.55A	277V = 0.69A	277V = 0.66A	277V = 0.70A
347V = 0.28A		347V = 0.27A	347V = 0.29A	347V = 0.44A	347V = 0.42A	347V = 0.44A	347V = 0.55A	347V = 0.53A	347V = 0.56A	
480V = 0.20A		480V = 0.20A	480V = 0.21A	480V = 0.32A	480V = 0.31A	480V = 0.32A	480V = 0.40A	480V = 0.38A	480V = 0.40A	

Series	Measurements	Low Lumens			Mid Lumens			High Lumens		
		3000K	4000K	5000K	3000K	4000K	5000K	3000K	4000K	5000K
MPALPRO-40L-LKFS-T3-UNC	Lumens	28,485	31,402	29,907	33,629	36,449	35,047	39,660	43,432	40,963
	Watts	203	198	202	246	236	246	297	283	296
	Efficacy	140	159	148	137	154	142	133	154	138
	Input Current (A)	277V = 0.73A	277V = 0.71A	277V = 0.73A	277V = 0.89A	277V = 0.85A	277V = 0.89A	277V = 1.07A	277V = 1.02A	277V = 1.07A
347V = 0.59A		347V = 0.57A	347V = 0.58A	347V = 0.71A	347V = 0.68A	347V = 0.71A	347V = 0.86A	347V = 0.82A	347V = 0.85A	
480V = 0.42A		480V = 0.41A	480V = 0.42A	480V = 0.51A	480V = 0.49A	480V = 0.51A	480V = 0.62A	480V = 0.59A	480V = 0.62A	

Series	Measurements	Low Lumens			Mid Lumens			High Lumens		
		3000K	4000K	5000K	3000K	4000K	5000K	3000K	4000K	5000K
MPALPRO-40L-LKFS-T5-UNC	Lumens	28,731	31,840	30,214	33,918	36,884	35,413	39,890	44,057	41,651
	Watts	202	197	202	246	235	246	302	283	299
	Efficacy	142	161	150	138	157	144	132	156	139
	Input Current (A)	277V = 0.73A	277V = 0.71A	277V = 0.73A	277V = 0.89A	277V = 0.85A	277V = 0.89A	277V = 1.09A	277V = 1.02A	277V = 1.08A
347V = 0.58A		347V = 0.57A	347V = 0.58A	347V = 0.71A	347V = 0.68A	347V = 0.71A	347V = 0.87A	347V = 0.82A	347V = 0.86A	
480V = 0.42A		480V = 0.41A	480V = 0.42A	480V = 0.51A	480V = 0.49A	480V = 0.51A	480V = 0.63A	480V = 0.59A	480V = 0.62A	

PHOTOMETRIC DATA

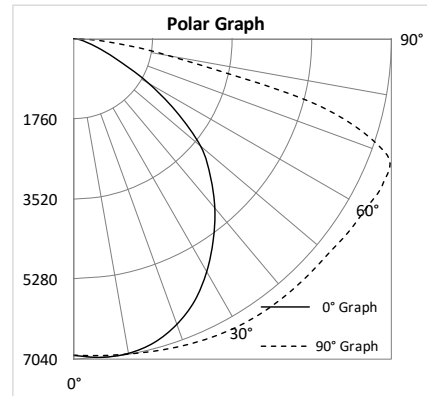
MPALPRO-24L-LKFS-T3

Luminaire Data

Description	Multi Purpose Area Light PRO - LKFS 24L 5K T3
Total Lumens	24,601
Input Wattage	187
Efficacy (lm/W)	131
Max. Cd.	7588.58 (90H, 67V)
IES Classification	Type III
Longitudinal Classification	Medium

Luminaire Classification Systems (LCS)

LCS Zone	Lumens	%Lum	
FL	0-30	2,904	11.8%
FM	30-60	6,494	26.4%
FH	60-80	3,240	13.2%
FVH	80-90	323	1.3%
BL	0-30	2,684	10.9%
BM	30-60	5,794	23.6%
BH	60-80	2,933	11.9%
BVH	80-90	229	0.9%
UL	90-100	0	0.0%
UH	100-180	0	0.0%
Total	24,601	100.0%	
BUG Rating	B4-U0-G4		



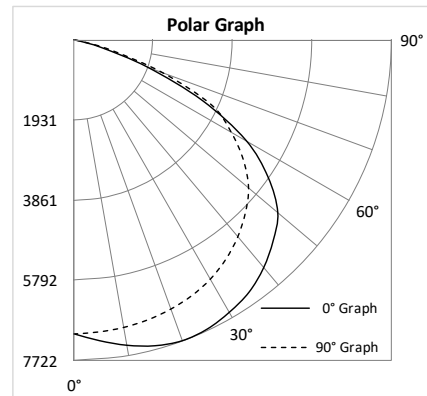
MPALPRO-24L-LKFS-T5

Luminaire Data

Description	Multi Purpose Area Light PRO - LKFS 24L 5K T5
Total Lumens	25,157
Input Wattage	187
Efficacy (lm/W)	135
Max. Cd.	7742.22 (337.5H, 22V)
IES Classification	Type VS
Longitudinal Classification	Very Short

Luminaire Classification Systems (LCS)

LCS Zone	Lumens	%Lum	
FL	0-30	3,101	12.3%
FM	30-60	7,290	29.0%
FH	60-80	2,486	9.9%
FVH	80-90	42	0.2%
BL	0-30	2,784	11.1%
BM	30-60	6,505	25.9%
BH	60-80	2,884	11.5%
BVH	80-90	66	0.3%
UL	90-100	0	0.0%
UH	100-180	0	0.0%
Total	25,157	100.0%	
BUG Rating	B4-U0-G2		



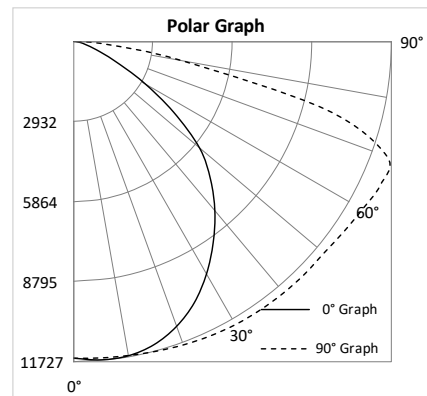
MPALPRO-40L-LKFS-T3

Luminaire Data

Description	Multi Purpose Area Light PRO - LKFS 40L 5K T3
Total Lumens	41,239
Input Wattage	302
Efficacy (lm/W)	136
Max. Cd.	12840.24 (270H, 67V)
IES Classification	Type III
Longitudinal Classification	Medium

Luminaire Classification Systems (LCS)

LCS Zone	Lumens	%Lum	
FL	0-30	4,831	11.7%
FM	30-60	10,848	26.3%
FH	60-80	5,398	13.1%
FVH	80-90	483	1.2%
BL	0-30	4,488	10.9%
BM	30-60	9,786	23.7%
BH	60-80	5,010	12.1%
BVH	80-90	394	1.0%
UL	90-100	0	0.0%
UH	100-180	0	0.0%
Total	41,239	100.0%	
BUG Rating	B5-U0-G5		



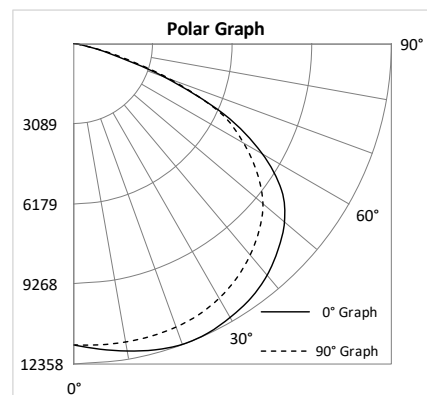
MPALPRO-40L-LKFS-T5

Luminaire Data

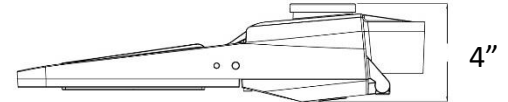
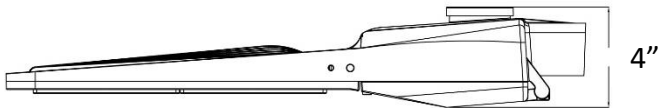
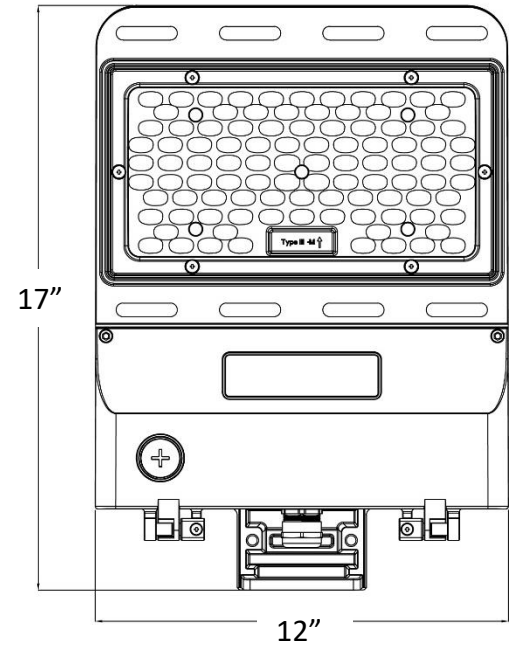
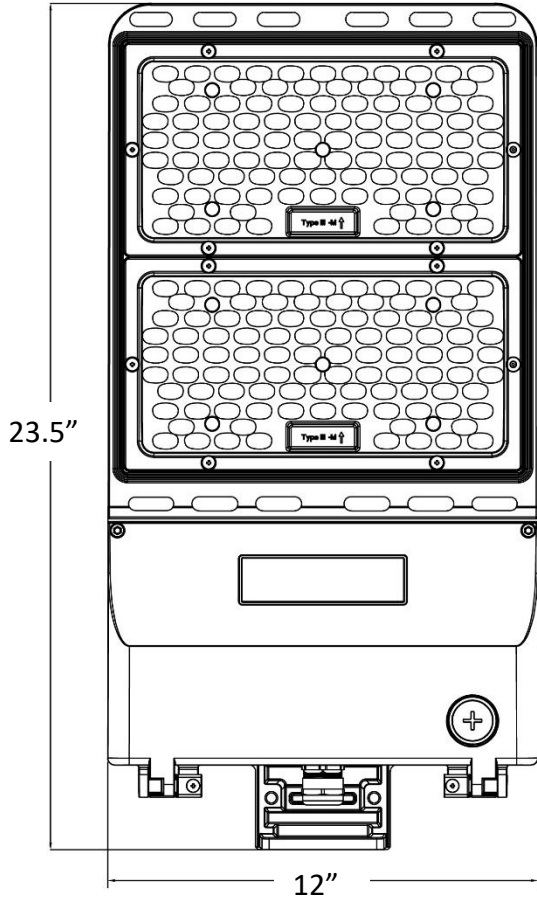
Description	Multi Purpose Area Light PRO - LKFS 40L 5K T5
Total Lumens	41,980
Input Wattage	302
Efficacy (lm/W)	139
Max. Cd.	12368.81 (360H, 22V)
IES Classification	Type VS
Longitudinal Classification	Very Short

Luminaire Classification Systems (LCS)

LCS Zone	Lumens	%Lum	
FL	0-30	5,024	12.0%
FM	30-60	12,076	28.8%
FH	60-80	4,397	10.5%
FVH	80-90	79	0.2%
BL	0-30	4,671	11.1%
BM	30-60	11,064	26.4%
BH	60-80	4,581	10.9%
BVH	80-90	89	0.2%
UL	90-100	0	0.0%
UH	100-180	0	0.0%
Total	41,980	100.0%	
BUG Rating	B5-U0-G2		



DIMENSIONS



EFFECTIVE PROJECTED AREAS (EPA's)

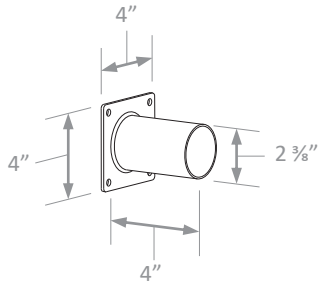
24L

Front = 1.4 square feet
Side = 0.5 square feet
Face = 0.3 square feet

40L

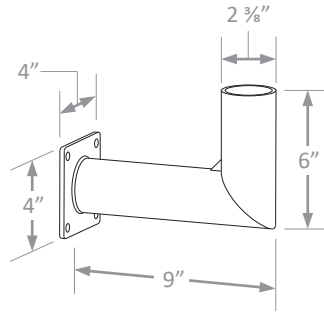
Front = 2.0 square feet
Side = 0.7 square feet
Face = 0.3 square feet

MOUNTING ACCESSORIES



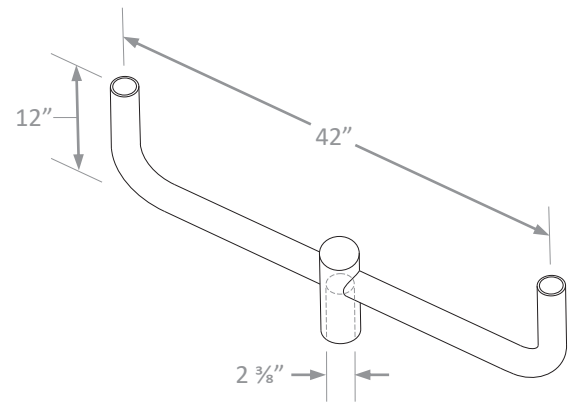
Wall Mount Bracket

LEDMPALPRO-WMB



Wall Mount Bracket, 90°

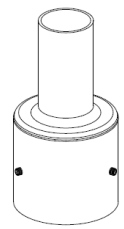
LEDMPALPRO-WMB90



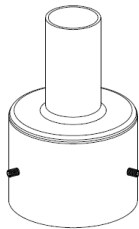
Double 180° Bullhorn Mounting Bracket

LEDMPALPRO-D180BH

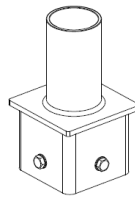
Bullhorn requires slip-fitter mount



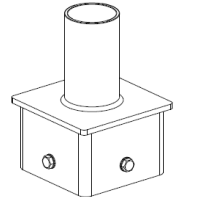
4SQR-SP-D



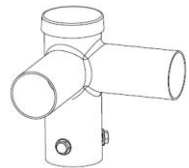
5SQR-SP-D



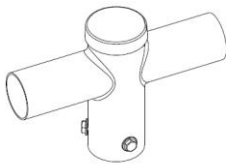
4SQ-SP-D



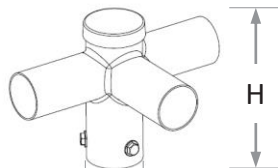
5SQ-SP-D



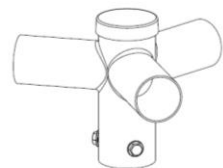
R60-SP2-90-D



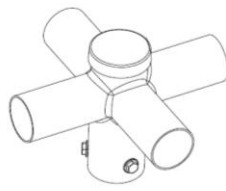
R60-SP2-180-D



R60-SP3-90-D



R60-SP3-120-D



R60-SP4-90-D

Part Number	Description	L	W	H
4SQR-SP-D	4" round pole tenon	-	4.2"	8.6"
5SQR-SP-D	5" round pole tenon	-	5.2"	8.6"
4SQ-SP-D	4" square pole tenon	3.6"	3.6"	7.2"
5SQ-SP-D	5" square pole tenon	4.6"	4.6"	7.2"
R60-SP2-90-D	Tenon adapter 90° double	-	ID 2.5"	7.3"
R60-SP2-180-D	Tenon adapter 180° double	-	ID 2.5"	7.3"
R60-SP3-90-D	Tenon adapter 90° triple	-	ID 2.5"	7.3"
R60-SP3-120-D	Tenon adapter 120° triple	-	ID 2.5"	7.3"
R60-SP4-90-D	Tenon adapter 90° quadruple	-	ID 2.5"	7.3"

Multi-Purpose Area Luminaires Kelvin Field Selectable



STANDARD



FEATURES

- Field selectable 3500k (warm/neutral white), 4000k (neutral white) and 5000k (cool white) color temperatures.*
- Long-life LEDs provide up to 149,000 hours of operation with at least 70% of initial lumen output (L₇₀).**
- Available models provide from 2,000 to 7,200 lumens, and from 125 to 156 lumens per watt (LPW).*
- Standard optic provides an IES roadway type V distribution, or a 7V (vertical) x 7H (horizontal) NEMA floodlight distribution.
- Universal 120-277 AC voltage (50-60Hz) is standard.
- Power factor > 90.
- Total harmonic distortion < 20%.
- Color rendering index > 80.
- Die cast aluminum housing with durable, dark bronze powder coat finish.
- Polycarbonate lens.
- Wireway enclosure is sealed with a water-tight, silicon rubber gasket.
- Easy installation in new construction or retrofit applications.

* Contact factory for other color temperatures and lumen packages.
 ** L70 hours are IES TM-21-11 calculated hours.

WARRANTY & LISTINGS

- cULus listed for wet locations in ambient temperatures from -40°C to 50°C (-40°F to 122°F).
- IP65 rated for ingress protection.
- DLC premium approved.
- Lens is IK 10 rated for protection from external impacts.
- Salt fog tested for 1,000 hours (ASTM B117). After salt fog testing, paint rated at 7 per ASTM D1654-05 scratch test.
- Complies with FCC Part 15, class A.
- Complies with EN61000-4-5, surge immunity protection (4kV).
- 5-year warranty of all electronics and housing.

MOUNTING OPTIONS & ACCESSORIES

- Standard aluminum die-cast knuckle-mount for junction box installation.
- Yoke-mount option provides secure attachment to flat surfaces, 4L & 7L only, sold separately.
- Line voltage ground stake allows for easy installation for landscape illumination, sold separately.

ORDERING INFORMATION

Example: MPAL-4L-LKFS

Series	Nominal Lumen Output		Color Temperature		Mounting Accessories (Order Separately)	
	Model	Output	Color	Temp	Accessory	Description
MPAL	2L	2000 lumens	KFS*	3500k	MPAL-KFS-YKL	Yoke mount, 4L & 7L
	4L	4000 lumens		4000k	MPOST17	Line voltage ground stake
	7L	7000 lumens		5000k		

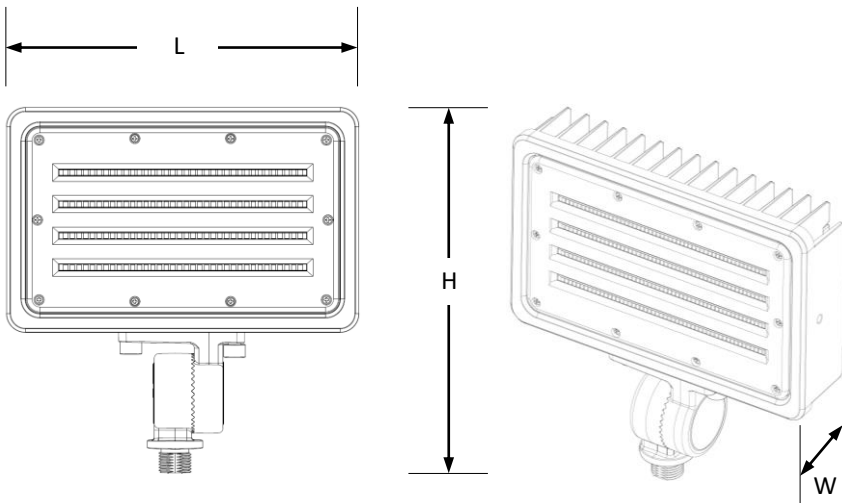
Note: The beam angles are measured as the following:
 2L - 117° Horizontal x 64° Vertical
 4L - 110° Horizontal x 114° Vertical
 7L - 98° Horizontal x 110° Vertical

* Field selectable kelvin temperatures.

ELECTRICAL DATA

Series	Measurements	MPAL-2L			MPAL-4L			MPAL-7L		
		3500K	4000K	5000K	3500K	4000K	5000K	3500K	4000K	5000K
MPAL-KFS	Lumens	2002	2179	2085	4436	4696	4526	6601	7170	6884
	Watts	16	15	16	31	30	31	52	49	51
	Efficacy	125	145	132	142	156	145	126	147	134
	Input Current (A)	120V = 0.13A	120V = 0.13A	120V = 0.13A	120V = 0.26A	120V = 0.25A	120V = 0.26A	120V = 0.43A	120V = 0.41A	120V = 0.43A
240V = 0.07A		240V = 0.06A	240V = 0.07A	240V = 0.13A	240V = 0.13A	240V = 0.13A	240V = 0.22A	240V = 0.20A	240V = 0.21A	
277V = 0.06A		277V = 0.05A	277V = 0.06A	277V = 0.11A	277V = 0.11A	277V = 0.11A	277V = 0.19A	277V = 0.18A	277V = 0.18A	

DIMENSIONS



EFFECTIVE PROJECTED AREAS (EPA's)

2L

Front = 0.17 s.f.

Side = 0.07 s.f.

Face = 0.05 s.f.

4L & 7L

Front = 0.54 s.f. (knuckle) / 0.44 s.f. (yoke)

Side = 0.12 s.f. (knuckle) / 0.09 s.f. (yoke)

Face = 0.11 s.f. (knuckle) / 0.12 s.f. (yoke)

Model	Length (L)	Width (W)	Depth (H)	Weight
2L	4.3"	1.7"	5.8"	3 lbs.
4L	8.7"	1.9"	9"	8 lbs.
7L	8.7"	1.9"	9"	8 lbs.

PHOTOMETRIC DATA

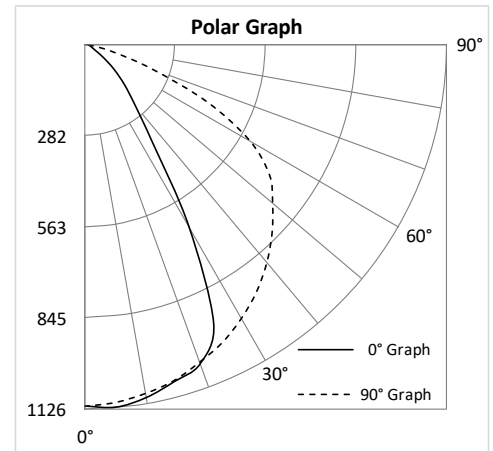
MPAL-2L-KFS

Luminaire Data

Description	Multi Purpose Area Light 2L - KFS
Total Lumens	2,002
Input Wattage	16
Efficacy (lm/W)	126
Max. Cd.	1131.47 (337.5H, 6V)
IES Classification	Type I
Longitudinal Classification	Very Short

Luminaire Classification Systems (LCS)

LCS Zone	Lumens	%Lum	
FL	0-30	438	21.9%
FM	30-60	488	24.4%
FH	60-80	74	3.7%
FVH	80-90	3	0.2%
BL	0-30	434	21.7%
BM	30-60	491	24.5%
BH	60-80	71	3.6%
BVH	80-90	3	0.1%
UL	90-100	0	0.0%
UH	100-180	0	0.0%
Total	2,002	100.0%	
BUG Rating	B1-U0-G0		



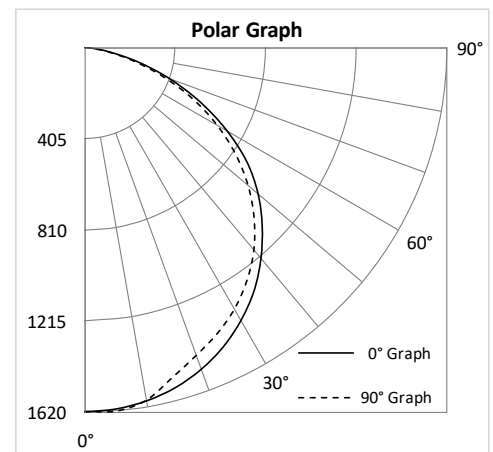
MPAL-4L-KFS

Luminaire Data

Description	Multi Purpose Area Light 4L - KFS
Total Lumens	4,436
Input Wattage	31
Efficacy (lm/W)	142
Max. Cd.	1625.57 (112.5H, 5V)
IES Classification	Type VS
Longitudinal Classification	Very Short

Luminaire Classification Systems (LCS)

LCS Zone	Lumens	%Lum	
FL	0-30	625	14.1%
FM	30-60	1,190	26.8%
FH	60-80	372	8.4%
FVH	80-90	16	0.4%
BL	0-30	629	14.2%
BM	30-60	1,205	27.2%
BH	60-80	383	8.6%
BVH	80-90	16	0.4%
UL	90-100	0	0.0%
UH	100-180	0	0.0%
Total	4,436	99.9%	
BUG Rating	B2-U0-G1		



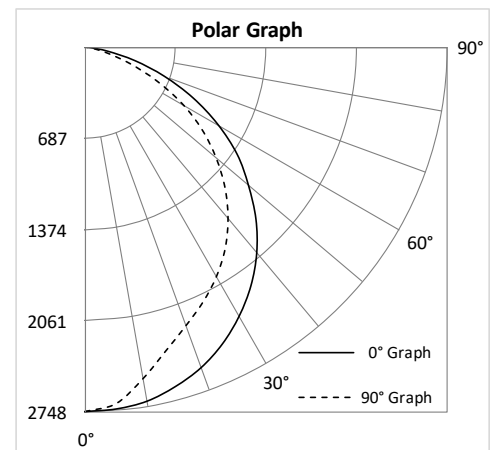
MPAL-7L-KFS

Luminaire Data

Description	Multi Purpose Area Light 7L - KFS
Total Lumens	6,601
Input Wattage	52
Efficacy (lm/W)	126
Max. Cd.	2750.84 (157.5H, 1V)
IES Classification	Type VS
Longitudinal Classification	Very Short

Luminaire Classification Systems (LCS)

LCS Zone	Lumens	%Lum	
FL	0-30	989	15.0%
FM	30-60	1,783	27.0%
FH	60-80	519	7.9%
FVH	80-90	21	0.3%
BL	0-30	987	15.0%
BM	30-60	1,774	26.9%
BH	60-80	510	7.7%
BVH	80-90	19	0.3%
UL	90-100	0	0.0%
UH	100-180	0	0.0%
Total	6,601	100.0%	
BUG Rating	B2-U0-G1		



LED Dusk-to-Dawn



STANDARD



FEATURES

- Available in 5000k (cool white) color temperature.*
- Long-life LEDs provide 372,000 hours of operation with at least 70% of initial lumen output (L₇₀), and 103,000 hours with at least 90% of initial lumen output (L₉₀).**
- LED chromaticity based on ≤ 7-step ANSI quadrangles.
- LED color maintenance ≤ 0.002 chromaticity shift (Δu'v') over the initial 6,000 hours of operation.
- Provides 5,444 lumens and draws 39 watts (140 lumens per watt).*
- Universal 120-277 AC voltage (50-60Hz).
- 0-10vdc dimming drivers are standard.
- Power factor ≥ 0.90.
- Total harmonic distortion ≤ 20%.
- Color rendering index (R_a) ≥ 70. Red color rendering > -36.
- NEMA photocell receptacle & photocell are standard.
- Die cast aluminum housing with silver powder coat finish.
- Polycarbonate lens.
- Easy installation in new construction or retrofit.

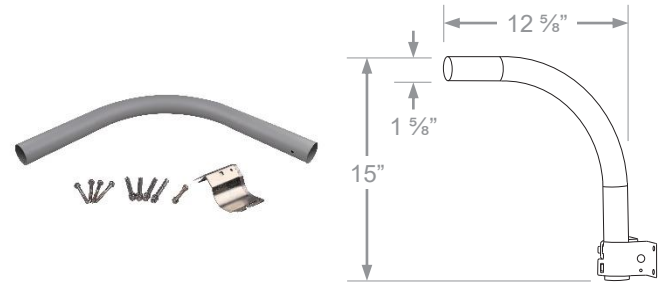
WARRANTY & LISTINGS

- cULus listed for wet locations in ambient temperatures from -40°C to 50°C (-40°F to 122°F).
- DLC 5.1 premium approved.
- Complies with IEC61000-4-5, input transient surge protection (2kV).
- Complies with FCC Part 15, class A.
- IP65 rated for ingress protection.
- 5-year warranty of all electronics and housing.

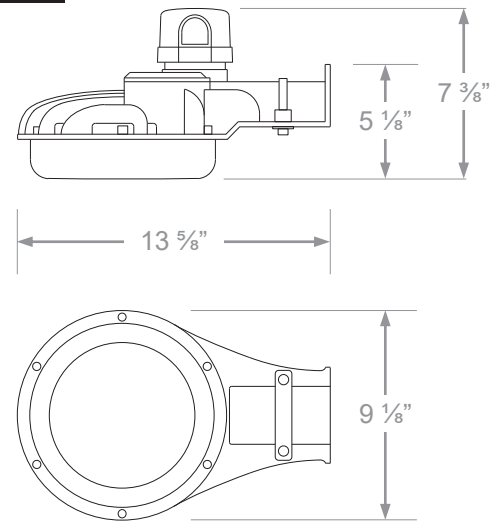
* Contact factory for other color temperatures and lumen packages.
 ** L₇₀ hours are IES TM-21-11 calculated hours.

MOUNTING ARM (OPTIONAL)

- Optional powder-coated steel mounting arm attaches to poles or walls.
- Mounting bracket included.



DIMENSIONS



ORDERING INFORMATION

Example: DDAL-5L-5K

Series	Nominal Lumen Output		Color Temperature		Accessories (Order Separately)	
DDAL	5L	5,000	5K	5000k	LED-DDALSN-ARM	Mounting arm with bracket

LED Dusk-to-Dawn

ELECTRICAL DATA

Model	CCT	CRI ¹	Luminaire Lumens	Luminaire Watts	Lumens Per Watt	Input Voltage	Input Current (A)			Power Factor	THD ²	L ₇₀ Hours ³
							120V	240V	277V			
DDAL-5L-5K	5000k	> 70	5,444	39	140	120-277	0.33	0.16	0.14	> 90%	< 20%	372,000

¹ Color rendering index

² Total harmonic distortion

³ L₇₀ refers to the number of hours at which lumen output declines to 70% of the initial level. L₇₀ hours are IES TM-21-11 calculated hours.

PHOTOMETRIC DATA

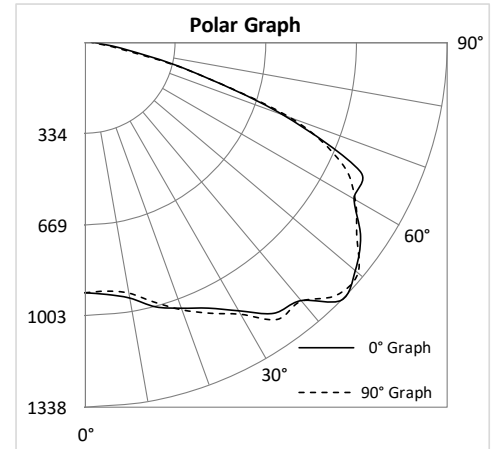
DDAL-5L-3K

Luminaire Data

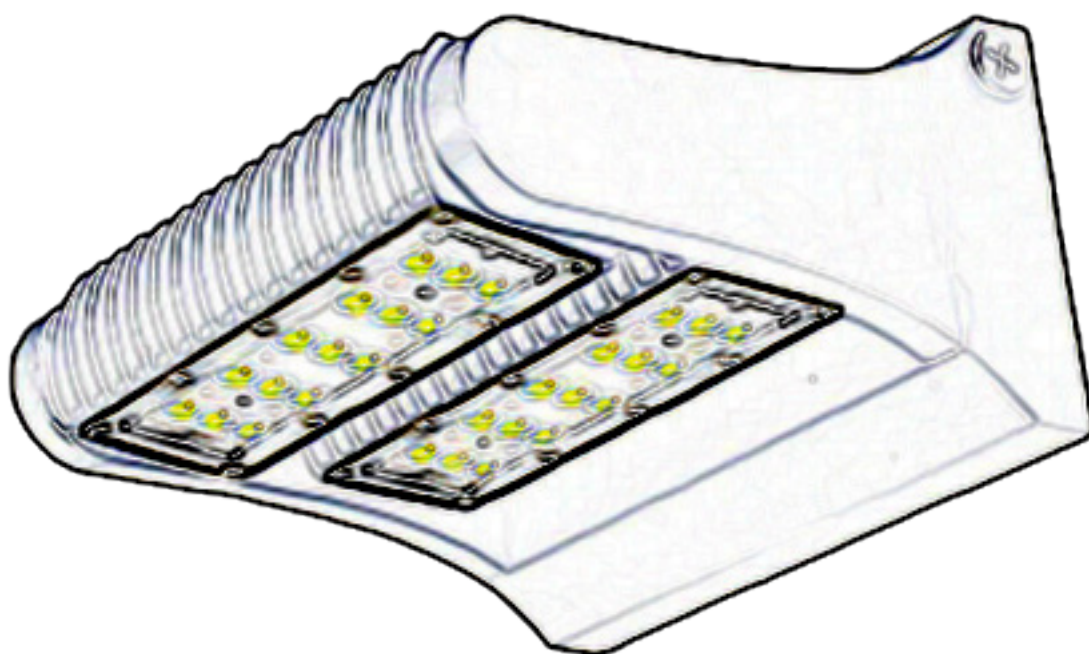
Description	Dusk-To-Dawn, 5L, 5K
Total Lumens	5,288
Input Wattage	39
Efficacy (lm/W)	136
Max. Cd.	1368.73 (45H, 47V)
IES Classification	Type VS
Longitudinal Classification	Very Short

Luminaire Classification Systems (LCS)

LCS Zone	Lumens	%Lum	
FL	0-30	439	8.3%
FM	30-60	1,428	27.0%
FH	60-80	734	13.9%
FVH	80-90	34	0.6%
BL	0-30	433	8.2%
BM	30-60	1,407	26.6%
BH	60-80	698	13.2%
BVH	80-90	31	0.6%
UL	90-100	28	0.5%
UH	100-180	57	1.1%
Total		5,288	100.0%
BUG Rating			B2-U3-G1



Wall Pack



Traditional Wall Pack – Lumen & Kelvin Field Selectable

STANDARD



FEATURES

- Field selectable 3000k (warm white), 4000k (neutral white), and 5000k (cool white) color temperatures.*
- Long-life LEDs provide at least 70% of initial lumen output (L_{70}) for $\geq 130,000$ hours of operation, and at least 90% of initial lumen output (L_{90}) for $\geq 39,000$ hours of operation.*
- LED chromaticity based on ≤ 5 -step ANSI quadrangles.
- LED color maintenance ≤ 0.003 chromaticity shift ($\Delta u'v'$) over the initial 6,000 of operation.
- Provides a range of 4,300 to 15,500 nominal lumens and 124 to 159 nominal lumens per watt (lm/W).
- 0-10vdc dimming drivers are standard.
- Universal 120-277 AC voltage (50-60Hz) is standard.
- Power factor > 0.90 .
- Total harmonic distortion $< 20\%$.
- Color rendering index (R_a) > 70 .
- Cast aluminum housing with dark bronze, powder coat finish.
- Glass lens.
- Three $\frac{1}{2}$ " NPT threaded openings.
- Easy installation in new construction or retrofit applications.

* Contact factory for other color temperatures and lumen packages.
** L_{70} & L_{90} hours are IES TM-21-11 calculated hours.

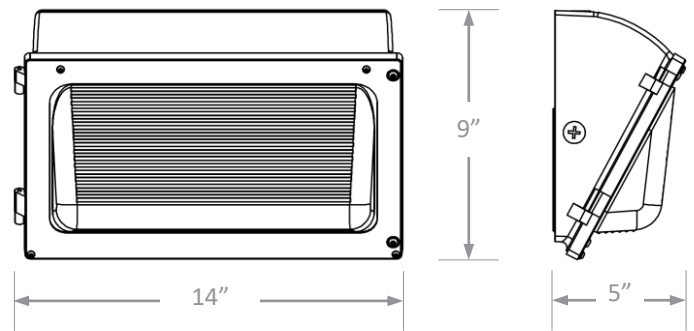


WARRANTY & LISTINGS

- cULus listed for wet locations in ambient temperatures from -40°C to 40°C (-40°F to 104°F).*
- IP65 rated for ingress protection.
- DLC premium approved.
- Complies with FCC Part 15, class A.
- Surge protection = 4kV.
- 5-year warranty of all electronics and housing.

* Maximum ambient temperature for WPT-15L-LKFS = 34°C

DIMENSIONS



Weight: 7L = 8 lbs / 10L = 8 lbs / 15L = 9 lbs

ORDERING INFORMATION

Example: WPT-10L-LKFS-B

Series	Nominal Lumen Output		Select	Photocell	
WPT	7L	6,000 lumens	LKFS	B	Button photocell
	10L	10,000 lumens		P	Pencil photocell
	15L	15,000 lumens		Blank	No photocell

ELECTRICAL DATA

Series	Measurements	Low Lumens			Mid Lumens			High Lumens		
		3000K	4000K	5000K	3000K	4000K	5000K	3000K	4000K	5000K
WPT-7L-LKFS	Lumens	4312	4668	4481	5415	5853	5618	6657	7290	6907
	Watts	30	29	30	39	38	39	51	49	51
	Efficacy	144	151	150	138	150	143	131	149	135
	Input Current (A)	120V = 0.25A	120V = 0.24A	120V = 0.25A	120V = 0.33A	120V = 0.32A	120V = 0.33A	120V = 0.43A	120V = 0.41A	120V = 0.43A
240V = 0.13A		240V = 0.12A	240V = 0.13A	240V = 0.16A	240V = 0.16A	240V = 0.16A	240V = 0.21A	240V = 0.20A	240V = 0.21A	
277V = 0.11A		277V = 0.10A	277V = 0.11A	277V = 0.14A	277V = 0.14A	277V = 0.14A	277V = 0.18A	277V = 0.18A	277V = 0.18A	

Series	Measurements	Low Lumens			Mid Lumens			High Lumens		
		3000K	4000K	5000K	3000K	4000K	5000K	3000K	4000K	5000K
WPT-10L-LKFS	Lumens	6141	6741	6380	7983	8785	8260	9768	10,652	10,049
	Watts	43	42	43	59	57	59	76	74	76
	Efficacy	142	159	147	135	154	140	129	144	133
	Input Current (A)	120V = 0.36A	120V = 0.35A	120V = 0.36A	120V = 0.49A	120V = 0.48A	120V = 0.49A	120V = 0.63A	120V = 0.62A	120V = 0.63A
240V = 0.18A		240V = 0.18A	240V = 0.18A	240V = 0.25A	240V = 0.24A	240V = 0.25A	240V = 0.32A	240V = 0.31A	240V = 0.32A	
277V = 0.16A		277V = 0.15A	277V = 0.16A	277V = 0.21A	277V = 0.21A	277V = 0.21A	277V = 0.27A	277V = 0.27A	277V = 0.27A	

Series	Measurements	Low Lumens			Mid Lumens			High Lumens		
		3500K	4000K	5000K	3500K	4000K	5000K	3500K	4000K	5000K
WPT-15L-LKFS	Lumens	9929	10,548	10,260	12,305	13,506	12,703	14,216	15,552	14,843
	Watts	71	69	71	93	91	93	115	110	115
	Efficacy	139	153	144	132	149	137	124	141	129
	Input Current (A)	120V = 0.59A	120V = 0.58A	120V = 0.59A	120V = 0.78A	120V = 0.76A	120V = 0.78A	120V = 0.96A	120V = 0.92A	120V = 0.96A
240V = 0.30A		240V = 0.29A	240V = 0.30A	240V = 0.39A	240V = 0.38A	240V = 0.39A	240V = 0.48A	240V = 0.46A	240V = 0.48A	
277V = 0.26A		277V = 0.25A	277V = 0.26A	277V = 0.34A	277V = 0.33A	277V = 0.34A	277V = 0.42A	277V = 0.40A	277V = 0.42A	

PHOTOMETRIC DATA

WPT-7L-LKFS

Luminaire Data

Description	Traditional Wall Pack 7L 5K - LKFS
Total Lumens	6,907
Input Wattage	51
Efficacy (lm/W)	136
Max. Cd.	4252.51 (360H, 39V)
IES Classification	Type III
Longitudinal Classification	Very Short

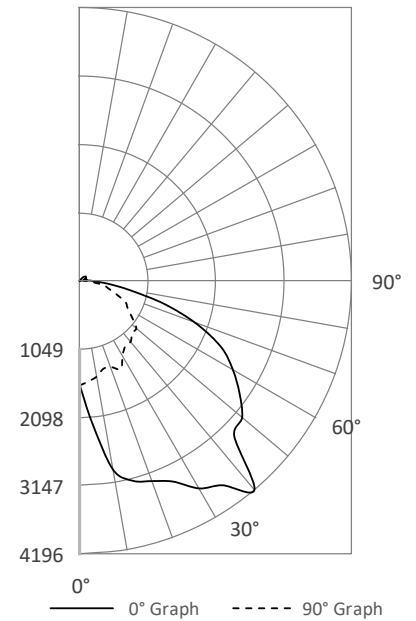
Zonal Lumen Summary

Zone	Lumens	%Fixt
0-30°	1,520	22.0%
0-60°	4,905	71.0%
0-80°	6,506	94.2%
80-90°	223	3.3%*
0-90°	6,729	97.4%
90-110°	84	1.2%
110-180°	0	0.0%
0-180°	6,907	100.0%

Luminaire Classification Systems (LCS)

LCS Zone		Lumens	%Lum
FL	0-30	1,116	16.2%
FM	30-60	3,026	43.8%
FH	60-80	1,483	21.5%
FVH	80-90	207	3.0%
BL	0-30	404	5.8%
BM	30-60	360	5.2%
BH	60-80	118	1.7%
BVH	80-90	16	0.2%
UL	90-100	58	0.8%
UH	100-180	121	1.7%
Total		6,907	99.9%
BUG Rating		B1-U3-G2	

180° Polar Graph



* 80-90° glare zone is calculated by dividing the lumens in that zone by the lumen total in the 0-90° zone

WPT-10L-LKFS

Luminaire Data

Description	Traditional Wall Pack 10L 5K - LKFS
Total Lumens	10,049
Input Wattage	76
Efficacy (lm/W)	133
Max. Cd.	6153.58 (360H, 39V)
IES Classification	Type III
Longitudinal Classification	Very Short

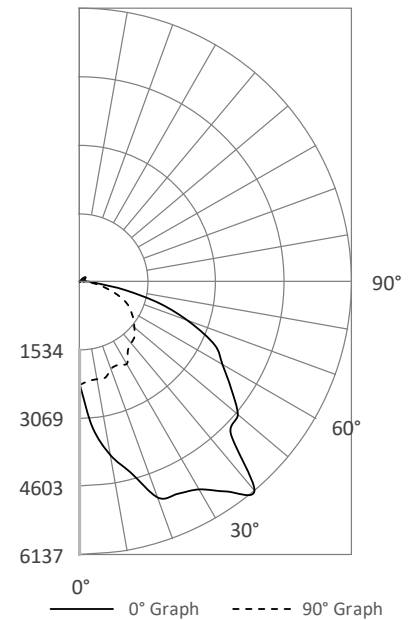
Zonal Lumen Summary

Zone	Lumens	%Fixt
0-30°	2,213	22.0%
0-60°	7,248	72.1%
0-80°	9,550	95.0%
80-90°	277	2.8%*
0-90°	9,827	97.8%
90-110°	105	1.0%
110-180°	0	0.0%
0-180°	10,049	100.0%

Luminaire Classification Systems (LCS)

LCS Zone		Lumens	%Lum
FL	0-30	1,627	16.1%
FM	30-60	4,525	44.8%
FH	60-80	2,132	21.1%
FVH	80-90	257	2.6%
BL	0-30	586	5.8%
BM	30-60	510	5.1%
BH	60-80	169	1.7%
BVH	80-90	20	0.2%
UL	90-100	71	0.7%
UH	100-180	152	1.5%
Total		10,049	99.6%
BUG Rating		B2-U3-G3	

180° Polar Graph



* 80-90° glare zone is calculated by dividing the lumens in that zone by the lumen total in the 0-90° zone

PHOTOMETRIC DATA

WPT-15L-LKFS

Luminaire Data

Description	Traditional Wall Pack 15L 5K - LKFS
Total Lumens	14,843
Input Wattage	115
Efficacy (lm/W)	129
Max. Cd.	8926.98 (360H, 37V)
IES Classification	Type III
Longitudinal Classification	Very Short

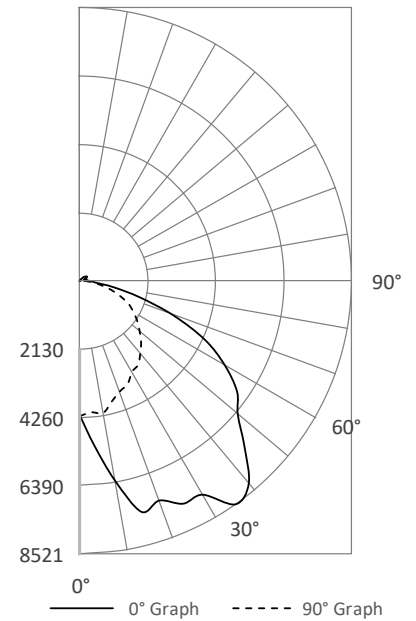
Zonal Lumen Summary

Zone	Lumens	%Fixt
0-30°	3,610	24.3%
0-60°	11,112	74.9%
0-80°	14,174	95.5%
80-90°	334	2.3%*
0-90°	14,508	97.7%
90-110°	149	1.0%
110-180°	0	0.0%
0-180°	14,843	100.0%

Luminaire Classification Systems (LCS)

LCS Zone		Lumens	%Lum
FL	0-30	2,592	17.4%
FM	30-60	6,625	44.5%
FH	60-80	2,801	18.8%
FVH	80-90	301	2.0%
BL	0-30	1,018	6.9%
BM	30-60	877	5.9%
BH	60-80	261	1.8%
BVH	80-90	33	0.2%
UL	90-100	96	0.6%
UH	100-180	239	1.6%
Total		14,843	99.7%
BUG Rating		B3-U3-G3	

180° Polar Graph



* 80-90° glare zone is calculated by dividing the lumens in that zone by the lumen total in the 0-90° zone

Adjustable Wall Pack – Lumen & Kelvin Field Selectable

STANDARD



FEATURES

- Field selectable 3000k (warm white), 4000k (neutral white), and 5000k (cool white) color temperatures.*
- Adjustable housing – up to 90°.
- Long-life LEDs provide at least 70% of initial lumen output (L_{70}) for $\geq 146,000$ hours of operation, and at least 90% of initial lumen output (L_{90}) for $\geq 44,000$ hours of operation.**
- LED chromaticity based on ≤ 5 -step ANSI quadrangles.
- LED color maintenance ≤ 0.003 chromaticity shift ($\Delta u'v'$) over the initial 6,000 of operation.
- Provides a range of 3,000 to 10,700 nominal lumens and 132 to 154 nominal lumens per watt (lm/W).
- 0-10vdc dimming drivers are standard.
- Universal 120-277 AC voltage (50-60Hz) is standard.
- Power factor > 0.90 .
- Total harmonic distortion $< 20\%$.
- Color rendering index (R_a) > 80 .
- Cast aluminum housing with dark bronze, powder coat finish.
- Polycarbonate lens.
- Three $\frac{1}{2}$ " NPT threaded openings.
- Easy installation in new construction or retrofit applications.

* Contact factory for other color temperatures and lumen packages.

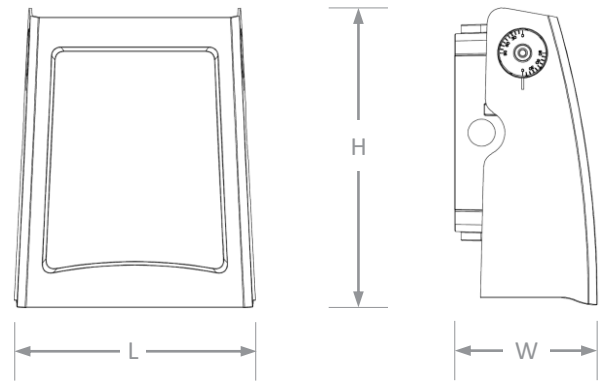
** L_{70} & L_{90} hours are IES TM-21-11 calculated hours.



WARRANTY & LISTINGS

- cULus listed for wet locations in ambient temperatures from -40°C to 50°C (-40°F to 122°F).
- IP65 rated for ingress protection.
- DLC premium approved.
- Complies with FCC Part 15, class B.
- Surge protection = 4kV.
- 5-year warranty of all electronics and housing.

DIMENSIONS



	<u>5L</u>	<u>10L</u>
Length – L	6.5"	8.5"
Width – W	4"	5"
Height – H	8"	11"
Weight (lbs.)	3	5

ORDERING INFORMATION

Example: WPA-5L-LKFS

Series	Nominal Lumen Output		Select
	WPA	5L	
	10L	10,000 lumens	

ELECTRICAL DATA

Series	Measurements	Low Lumens			Mid Lumens			High Lumens		
		3000K	4000K	5000K	3000K	4000K	5000K	3000K	4000K	5000K
WPA-5L-LKFS	Lumens	3044	3002	3307	3819	3842	4155	4646	5084	5049
	Watts	22	20	22	28	25	28	35	34	35
	Efficacy	142	154	154	137	151	149	133	151	145
	Input Current (A)	120V = 0.18A	120V = 0.17A	120V = 0.18A	120V = 0.23A	120V = 0.21A	120V = 0.23A	120V = 0.29A	120V = 0.28A	120V = 0.29A
240V = 0.09A		240V = 0.08A	240V = 0.09A	240V = 0.12A	240V = 0.10A	240V = 0.12A	240V = 0.15A	240V = 0.14A	240V = 0.15A	
277V = 0.08A		277V = 0.07A	277V = 0.08A	277V = 0.10A	277V = 0.09A	277V = 0.10A	277V = 0.13A	277V = 0.12A	277V = 0.13A	

Series	Measurements	Low Lumens			Mid Lumens			High Lumens		
		3000K	4000K	5000K	3000K	4000K	5000K	3000K	4000K	5000K
WPA-10L-LKFS	Lumens	6536	7028	7107	8339	9032	9056	9746	10,734	10,578
	Watts	46	45	46	61	59	61	74	71	74
	Efficacy	142	157	154	137	153	148	132	150	142
	Input Current (A)	120V = 0.60A	120V = 0.38A	120V = 0.60A	120V = 0.78A	120V = 0.49A	120V = 0.78A	120V = 0.97A	120V = 0.94A	120V = 0.97A
240V = 0.30A		240V = 0.19A	240V = 0.30A	240V = 0.39A	240V = 0.25A	240V = 0.39A	240V = 0.48A	240V = 0.47A	240V = 0.48A	
277V = 0.26A		277V = 0.16A	277V = 0.26A	277V = 0.34A	277V = 0.21A	277V = 0.34A	277V = 0.42A	277V = 0.41A	277V = 0.42A	

PHOTOMETRIC DATA

WPA-5L-LKFS

Luminaire Data

Description	Adjustable Wall Pack 5L 5K -LKFS
Total Lumens	5,049
Input Wattage	35
Efficacy (lm/W)	144
Max. Cd.	2634.18 (360H, 24V)
IES Classification	Type II
Longitudinal Classification	Very Short

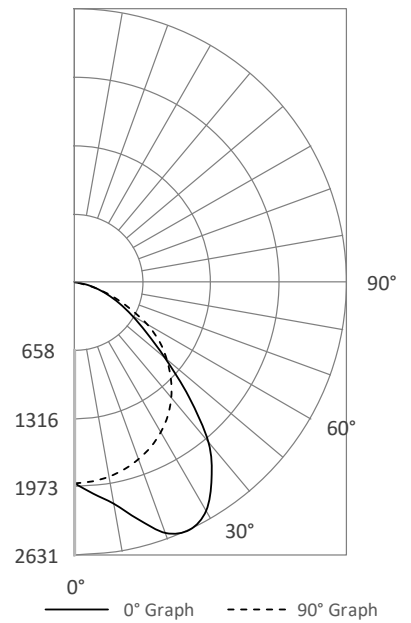
Zonal Lumen Summary

Zone	Lumens	%Fixt
0-30°	1,597	31.6%
0-60°	4,386	86.9%
0-80°	5,018	99.4%
80-90°	31	0.6%*
0-90°	5,049	100.0%
90-110°	0	0.0%
110-180°	0	0.0%
0-180°	5,049	100.0%

Luminaire Classification Systems (LCS)

LCS Zone	Lumens	%Lum
FL 0-30	922	18.3%
FM 30-60	1,810	35.8%
FH 60-80	488	9.7%
FVH 80-90	25	0.5%
BL 0-30	674	13.4%
BM 30-60	979	19.4%
BH 60-80	144	2.9%
BVH 80-90	6	0.1%
UL 90-100	0	0.0%
UH 100-180	0	0.0%
Total	5,049	99.8%
BUG Rating	B2-U0-G1	

180° Polar Graph



* 80-90° glare zone is calculated by dividing the lumens in that zone by the lumen total in the 0-90° zone

WPA-10L-LKFS

Luminaire Data

Description	Adjustable Wall Pack 10L 5K - LKFS
Total Lumens	10,578
Input Wattage	74
Efficacy (lm/W)	143
Max. Cd.	5440.72 (360H, 23V)
IES Classification	Type II
Longitudinal Classification	Very Short

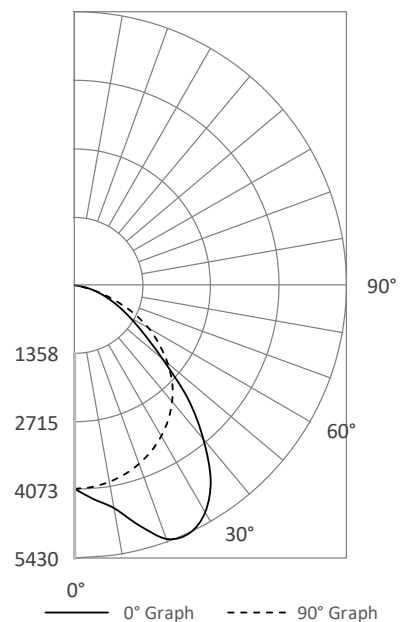
Zonal Lumen Summary

Zone	Lumens	%Fixt
0-30°	3,356	31.7%
0-60°	9,188	86.9%
0-80°	10,510	99.4%
80-90°	68	0.6%*
0-90°	10,578	100.0%
90-110°	0	0.0%
110-180°	0	0.0%
0-180°	10,578	100.0%

Luminaire Classification Systems (LCS)

LCS Zone	Lumens	%Lum
FL 0-30	1,924	18.2%
FM 30-60	3,727	35.2%
FH 60-80	999	9.4%
FVH 80-90	53	0.5%
BL 0-30	1,432	13.5%
BM 30-60	2,104	19.9%
BH 60-80	324	3.1%
BVH 80-90	14	0.1%
UL 90-100	0	0.0%
UH 100-180	0	0.0%
Total	10,578	100.0%
BUG Rating	B3-U0-G1	

180° Polar Graph



* 80-90° glare zone is calculated by dividing the lumens in that zone by the lumen total in the 0-90° zone

Full Cut Off Wall Pack – Lumen & Kelvin Field Selectable

STANDARD



FEATURES

- Field selectable 3000k (warm white), 4000k (neutral white), and 5000k (cool white) color temperatures.*
- Long-life LEDs provide at least 70% of initial lumen output (L_{70}) for $\geq 136,000$ hours of operation, and at least 90% of initial lumen output (L_{90}) for $\geq 41,000$ hours of operation.*
- LED chromaticity based on ≤ 5 -step ANSI quadrangles.
- LED color maintenance ≤ 0.003 chromaticity shift ($\Delta u'v'$) over the initial 6,000 of operation.
- Provides a range of 5,200 to 16,800 nominal lumens and 130 to 161 nominal lumens per watt (lm/W).
- 0-10vdc dimming drivers are standard.
- Universal 120-277 AC voltage (50-60Hz) is standard.
- Power factor > 0.90 .
- Total harmonic distortion $< 20\%$.
- Color rendering index (R_a) > 80 .
- Cast aluminum housing with dark bronze, powder coat finish.
- Polycarbonate lens.
- Three $\frac{1}{2}$ " NPT threaded openings.
- Easy installation in new construction or retrofit applications.

* Contact factory for other color temperatures and lumen packages.

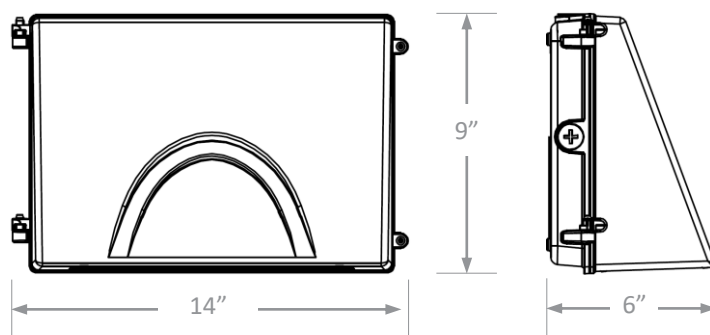
** L_{70} & L_{90} hours are IES TM-21-11 calculated hours.



WARRANTY & LISTINGS

- cULus listed for wet locations in ambient temperatures from -40°C to 45°C (-40°F to 113°F).
- IP65 rated for ingress protection.
- DLC premium approved.
- Complies with FCC Part 15, class B.
- Surge protection = 4kV.
- 5-year warranty of all electronics and housing.

DIMENSIONS



Weight: 8L = 5 lbs / 15L = 5 lbs

ORDERING INFORMATION

Example: WPFC-15L-LKFS-P

Series	Nominal Lumen Output		Select	Photocell		
	8L	15L		B	P	Blank
WPFC	8,000 lumens	15,000 lumens	LKFS	Button photocell	Pencil photocell	No photocell

ELECTRICAL DATA

Series	Measurements	Low Lumens			Mid Lumens			High Lumens		
		3000K	4000K	5000K	3000K	4000K	5000K	3000K	4000K	5000K
WPFC-8L-LKFS	Lumens	5251	5526	5722	6659	7048	7198	7877	8682	8552
	Watts	36	35	36	48	46	48	59	57	59
	Efficacy	145	161	158	139	156	151	133	152	144
	Input Current (A)	120V = 0.30A	120V = 0.29A	120V = 0.30A	120V = 0.40A	120V = 0.38A	120V = 0.40A	120V = 0.49A	120V = 0.48A	120V = 0.49A
240V = 0.15A		240V = 0.15A	240V = 0.15A	240V = 0.20A	240V = 0.19A	240V = 0.20A	240V = 0.25A	240V = 0.24A	240V = 0.25A	
277V = 0.13A		277V = 0.13A	277V = 0.13A	277V = 0.17A	277V = 0.17A	277V = 0.17A	277V = 0.21A	277V = 0.21A	277V = 0.21A	

Series	Measurements	Low Lumens			Mid Lumens			High Lumens		
		3000K	4000K	5000K	3000K	4000K	5000K	3000K	4000K	5000K
WPFC-15L-LKFS	Lumens	10,352	10,987	11,227	12,850	13,760	13,916	15,065	16,848	16,374
	Watts	72	71	72	94	92	94	116	113	116
	Efficacy	143	159	155	136	154	148	130	149	141
	Input Current (A)	120V = 0.60A	120V = 0.59A	120V = 0.60A	120V = 0.78A	120V = 0.77A	120V = 0.78A	120V = 0.97A	120V = 0.94A	120V = 0.97A
240V = 0.30A		240V = 0.30A	240V = 0.30A	240V = 0.39A	240V = 0.38A	240V = 0.39A	240V = 0.48A	240V = 0.47A	240V = 0.48A	
277V = 0.26A		277V = 0.26A	277V = 0.26A	277V = 0.34A	277V = 0.33A	277V = 0.34A	277V = 0.42A	277V = 0.41A	277V = 0.42A	

PHOTOMETRIC DATA

WPFC-8L-LKFS

Luminaire Data

Description	Full Cut Off Wall Pack 8L 5K - LKFS
Total Lumens	8,552
Input Wattage	59
Efficacy (lm/W)	145
Max. Cd.	4088.23 (360H, 29V)
IES Classification	Type II
Longitudinal Classification	Very Short

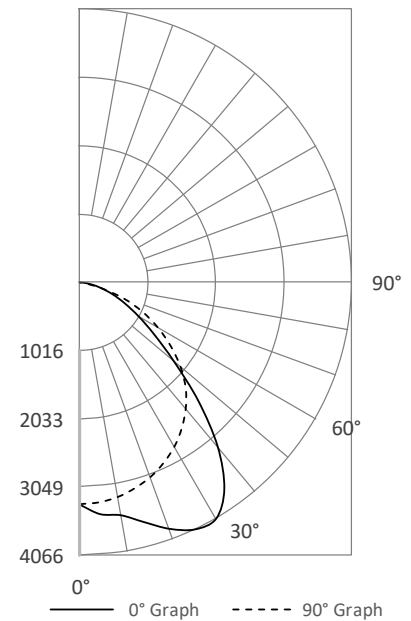
Zonal Lumen Summary

Zone	Lumens	%Fixt
0-30°	2,710	31.7%
0-60°	7,458	87.2%
0-80°	8,493	99.3%
80-90°	59	0.7%*
0-90°	8,552	100.0%
90-110°	0	0.0%
110-180°	0	0.0%
0-180°	8,552	100.0%

Luminaire Classification Systems (LCS)

LCS Zone	Lumens	%Lum
FL 0-30	1,491	17.4%
FM 30-60	2,912	34.1%
FH 60-80	775	9.1%
FVH 80-90	49	0.6%
BL 0-30	1,219	14.2%
BM 30-60	1,836	21.5%
BH 60-80	260	3.0%
BVH 80-90	11	0.1%
UL 90-100	0	0.0%
UH 100-180	0	0.0%
Total	8,552	100.0%
BUG Rating	B3-U0-G1	

180° Polar Graph



* 80-90° glare zone is calculated by dividing the lumens in that zone by the lumen total in the 0-90° zone

WPFC-15L-LKFS

Luminaire Data

Description	Full Cut Off Wall Pack 15L 5K - LKFS
Total Lumens	16,374
Input Wattage	116
Efficacy (lm/W)	141
Max. Cd.	7769.7 (360H, 29V)
IES Classification	Type II
Longitudinal Classification	Very Short

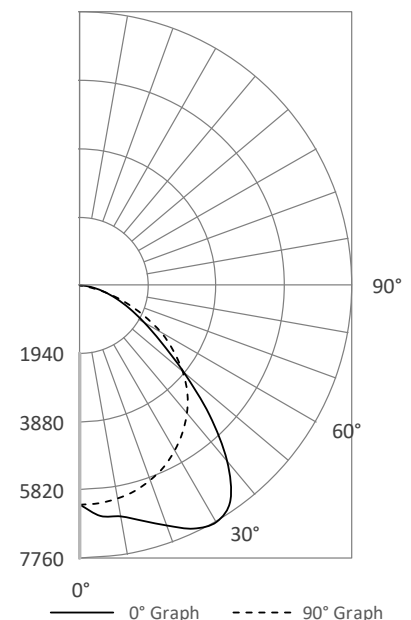
Zonal Lumen Summary

Zone	Lumens	%Fixt
0-30°	5,099	31.1%
0-60°	14,192	86.7%
0-80°	16,244	99.2%
80-90°	130	0.8%*
0-90°	16,374	100.0%
90-110°	0	0.0%
110-180°	0	0.0%
0-180°	16,374	100.0%

Luminaire Classification Systems (LCS)

LCS Zone	Lumens	%Lum
FL 0-30	2,800	17.1%
FM 30-60	5,696	34.8%
FH 60-80	1,582	9.7%
FVH 80-90	114	0.7%
BL 0-30	2,299	14.0%
BM 30-60	3,398	20.8%
BH 60-80	470	2.9%
BVH 80-90	16	0.1%
UL 90-100	0	0.0%
UH 100-180	0	0.0%
Total	16,374	99.9%
BUG Rating	B3-U0-G2	

180° Polar Graph



* 80-90° glare zone is calculated by dividing the lumens in that zone by the lumen total in the 0-90° zone

Economy Wall Pack – Lumen & Kelvin Field Selectable



STANDARD



FEATURES

- Field selectable 3000k (warm white), 4000k (neutral white), and 5000k (cool white) color temperatures.*
- Long-life LEDs provide at least 70% of initial lumen output (L_{70}) for $\geq 156,000$ hours of operation, and at least 90% of initial lumen output (L_{90}) for $\geq 47,000$ hours of operation.**
- LED chromaticity based on ≤ 5 -step ANSI quadrangles.
- LED color maintenance ≤ 0.003 chromaticity shift ($\Delta u'v'$) over the initial 6,000 hours of operation.
- Provides a range of 1,900 to 3,300 nominal lumens and 126 to 145 nominal lumens per watt (lm/W).
- 0-10vdc dimming drivers are standard.
- Universal 120-277 AC voltage (50-60Hz) is standard.
- Power factor > 0.90 .
- Total harmonic distortion $< 20\%$.
- Color rendering index (R_a) > 80 .
- Integral photocell is standard.
- Cast aluminum housing with dark bronze, powder coat finish.
- Diffused polycarbonate lens.
- One $\frac{1}{2}$ " NPT threaded opening.
- Easy installation in new construction or retrofit applications.

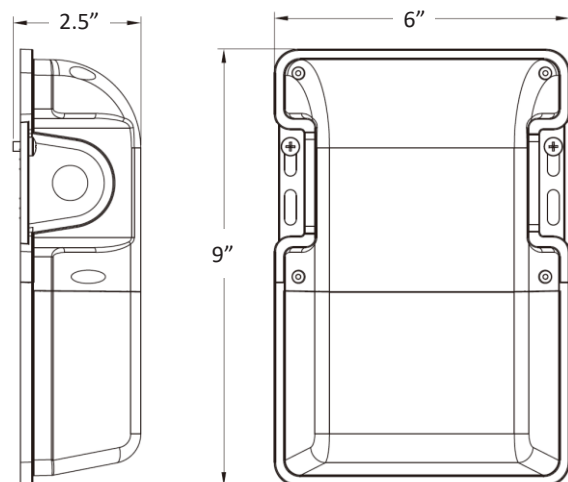
* Contact factory for other color temperatures and lumen packages.

** L_{70} & L_{90} hours are IES TM-21-11 calculated hours.

WARRANTY & LISTINGS

- cULus listed for wet locations in ambient temperatures from -20°C to 50°C (-4°F to 122°F).
- IP65 rated for ingress protection.
- DLC premium approved.
- Complies with FCC Part 15, class B.
- Surge protection = 4kV.
- 5-year warranty of all electronics and housing.

DIMENSIONS



Weight: 1.5 lbs

ORDERING INFORMATION

Example: WPE-3L-LKFS

Series	Nominal Lumen Output		Select
WPE	3L	3,000 lumens	LKFS

ELECTRICAL DATA

Series	Measurements	Low Lumens			Mid Lumens			High Lumens		
		3000K	4000K	5000K	3000K	4000K	5000K	3000K	4000K	5000K
WPE-3L-LKFS	Lumens	1939	2090	2105	2496	2709	2711	3070	3327	3325
	Watts	15	14	15	19	19	19	24	24	24
	Efficacy	132	145	143	129	143	140	126	140	137
	Input Current (A)	120V = 0.13A	120V = 0.12A	120V = 0.13A	120V = 0.16A	120V = 0.16A	120V = 0.16A	120V = 0.20A	120V = 0.20A	120V = 0.20A
240V = 0.06A		240V = 0.06A	240V = 0.06A	240V = 0.08A	240V = 0.08A	240V = 0.08A	240V = 0.10A	240V = 0.10A	240V = 0.10A	
277V = 0.05A		277V = 0.05A	277V = 0.05A	277V = 0.07A	277V = 0.07A	277V = 0.07A	277V = 0.09A	277V = 0.09A	277V = 0.09A	

PHOTOMETRIC DATA

WPE-3L-LKFS

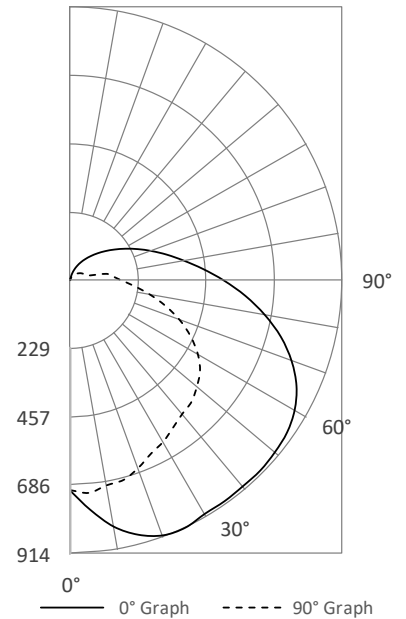
Luminaire Data

Description	Economy Wall Pack 3L 5K - LKFS
Total Lumens	3,325
Input Wattage	24
Efficacy (lm/W)	137
Max. Cd.	914.57 (360H, 24V)
IES Classification	Type IV
Longitudinal Classification	Very Short

Luminaire Classification Systems (LCS)

LCS Zone		Lumens	%Lum
FL	0-30	340	10.2%
FM	30-60	887	26.7%
FH	60-80	634	19.1%
FVH	80-90	239	7.2%
BL	0-30	192	5.8%
BM	30-60	267	8.0%
BH	60-80	112	3.4%
BVH	80-90	34	1.0%
UL	90-100	205	6.2%
UH	100-180	415	12.5%
Total		3,325	99.9%
BUG Rating		B1-U3-G3	

180° Polar Graph

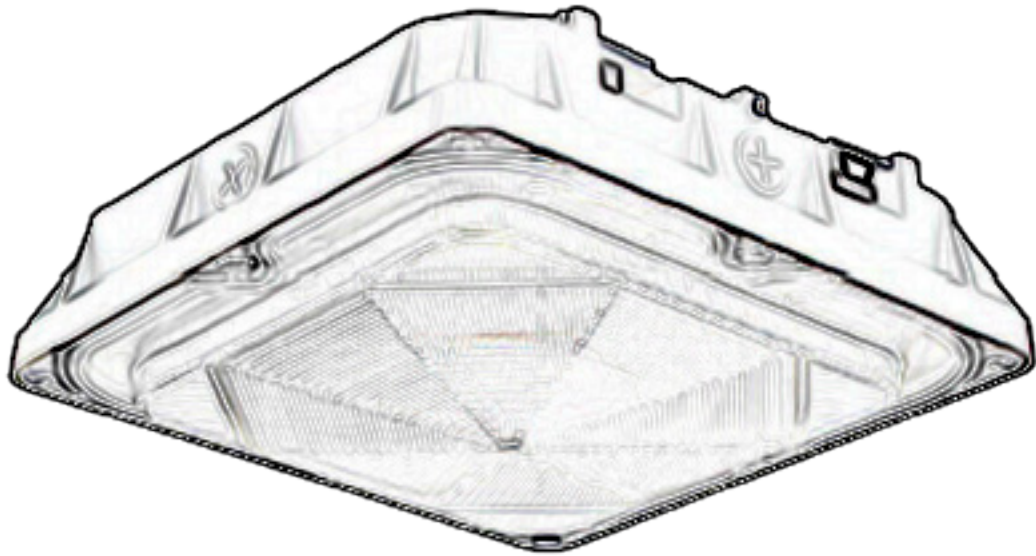


Zonal Lumen Summary

Zone	Lumens	%Fixt
0-30°	532	16.0%
0-60°	1,686	50.7%
0-80°	2,433	73.2%
80-90°	273	10.1%*
0-90°	2,705	81.4%
90-110°	353	10.6%
110-180°	0	0.0%
0-180°	3,325	100.0%

* 80-90° glare zone is calculated by dividing the lumens in that zone by the lumen total in the 0-90° zone

Canopy



Lumen and Kelvin Field Selectable Canopy



STANDARD



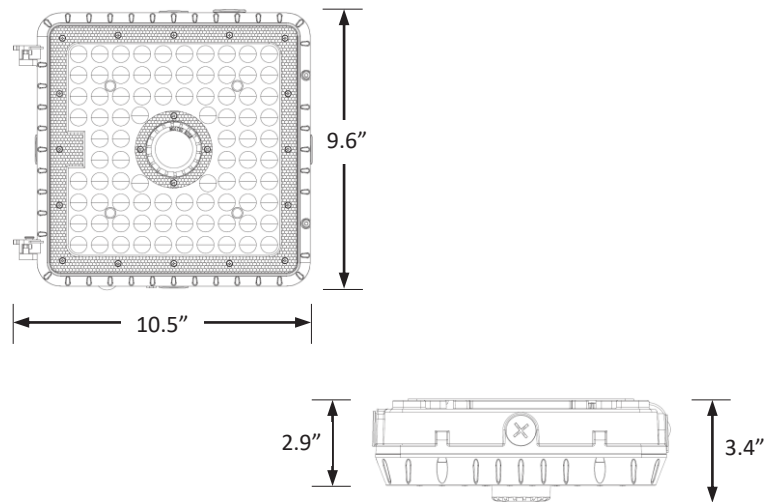
FEATURES

- Field selectable 3000k (warm white), 4000k (neutral white), and 5000k (cool white) color temperatures.*
- Long-life LEDs provide 149,000 hours of operation with at least 70% of initial lumen output (L_{70}), and 44,000 hours with at least 90% of initial lumen output (L_{90}).**
- LED chromaticity based on ≤ 6 -step ANSI quadrangles.
- LED color maintenance ≤ 0.002 chromaticity shift ($\Delta u'v'$) over the initial 6,000 hours of operation.
- CP-10L-LKFS provides a range of 6,800 to 10,500 nominal lumens.*
- Universal 120-277 AC voltage (50-60Hz) is standard.
- 0-10vdc dimming drivers are standard.
- Mounting options include surface-mounting and pendant-mounting using $\frac{3}{4}$ " electrical conduit.
- Optional occupancy/daylight sensor provides both on/off and dimming functions.
- Power factor > 0.90 .
- Total harmonic distortion $< 20\%$.
- Color rendering index > 80 .
- Die cast aluminum housing with dark bronze or white powder coat finish.
- Polycarbonate lens.
- Easy installation in new construction or retrofit.

WARRANTY & LISTINGS

- cULus listed for wet locations in ambient temperatures from -40°C to 40°C (-40°F to 104°F).
- IP65 rated for ingress protection.
- Lens is IK08 rated for impact.
- DLC premium approved for Fuel Pump and Parking Garage categories.
- Complies with FCC Part 15, class B.
- Complies with IEC/EN61000-4-5, input transient surge immunity protection (4kV).
- 5-year warranty on all electronics and housing.

DIMENSIONS



Weight: 5 lbs.

* Contact factory for other color temperatures and lumen packages.
 ** L_{70} & L_{90} hours are IES TM-21-11 calculated hours.

ORDERING INFORMATION

Example: CP-10L-LKFS-ODS-WHT

Series	Nominal Lumen Output (Selectable)		Kelvin Selectable	Occupancy Sensor		Housing Color		Accessories (Order Separately)	
	10L	10,000/8,000/7,000		ODS ^{1 2 3}	Microwave occupancy, dimming, & daylight sensor (factory installed)	BRZ	Bronze	MWAVEDHS-REM	Sensor remote control
CP			LKFS	3000k/4000k/5000k		Blank	WHT	White	
					No sensor				

¹ Remote control required for programming (sold separately).

² Default sensor settings: detection area = 100%, hold time = 20 minutes, stand-by period = 0 seconds, stand-by dimming level = 10%, daylight threshold = disabled

³ Maximum mounting height = 49 feet.

ELECTRICAL DATA

Series	Measurements	Low Lumens			Mid Lumens			High Lumens		
		3000K	4000K	5000K	3000K	4000K	5000K	3000K	4000K	5000K
CP-10L-LKFS	Lumens	6821	6962	7228	7800	8248	8312	9297	10,506	9967
	Watts	48	43	47	57	51	57	73	69	73
	Efficacy	143	163	152	137	161	147	127	152	136
	Input Current (A)	120V = 0.40A	120V = 0.36A	120V = 0.39A	120V = 0.48A	120V = 0.43A	120V = 0.48A	120V = 0.61A	120V = 0.58A	120V = 0.61A
240V = 0.20A		240V = 0.18A	240V = 0.20A	240V = 0.24A	240V = 0.21A	240V = 0.24A	240V = 0.30A	240V = 0.29A	240V = 0.30A	
277V = 0.17A		277V = 0.16A	277V = 0.17A	277V = 0.21A	277V = 0.18A	277V = 0.21A	277V = 0.26A	277V = 0.25A	277V = 0.26A	

PHOTOMETRIC DATA

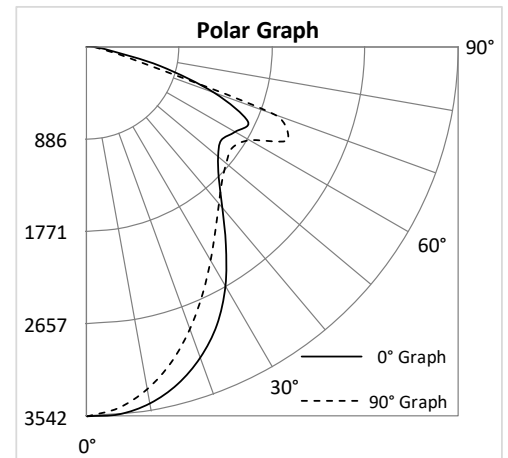
CP-10L-LKFS

Luminaire Data

Description	Canopy 10L 5K - LKFS
Total Lumens	9,993
Input Wattage	73
Efficacy (lm/W)	137
Spacing Criterion (0-180°)	1.14
Spacing Criterion (90-270°)	1.04

Zonal Lumen Summary

Zone	Lumens	%Fixt
0-20°	1,245	12.5%
0-30°	2,530	25.3%
0-40°	3,946	39.5%
20-50°	4,143	41.5%
40-70°	4,839	48.4%
0-60°	6,942	69.5%
0-80°	9,872	98.8%
0-90°	9,993	100.0%
90-180°	0	0.0%
0-180°	9,993	100.0%



LED Parking Garage Canopy

STANDARD



FEATURES

- Field selectable 3000k (warm white), 4000k (neutral white), & 5000k (cool white) color temperatures.*
- Long-life LEDs provide 169,000 hours of operation with at least 70% of initial lumen output (L₇₀), and 51,000 hours with at least 90% of initial lumen output (L₉₀).**
- LED chromaticity based on < 7-step ANSI quadrangles.
- LED color maintenance ≤ 0.001 chromaticity shift (Δu'v') over the initial 6,000 hours of operation.
- PG-5L = 5,000 nominal lumens.*
- PG-10L = 10,000 nominal lumens.*
- Universal 120-277V (50/60Hz) AC voltage.
- 0-10vdc dimming drivers, which provide continuous dimming to 10% of maximum lumen output, are standard.
- Mounting options include surface-mounting and pendant-mounting using 3/4" electrical conduit.
- Optional, integral occupancy/daylight sensor is installed inside the luminaire housing and provides both on/off and dimming functions.
- Power factor ≥ 0.90.
- Total harmonic distortion ≤ 20%.
- Color rendering index (R_a) > 80. Red color rendering > -5.
- Die cast aluminum housing with white powder coat finish.
- Polycarbonate lens.
- Easy installation in new construction or retrofit.

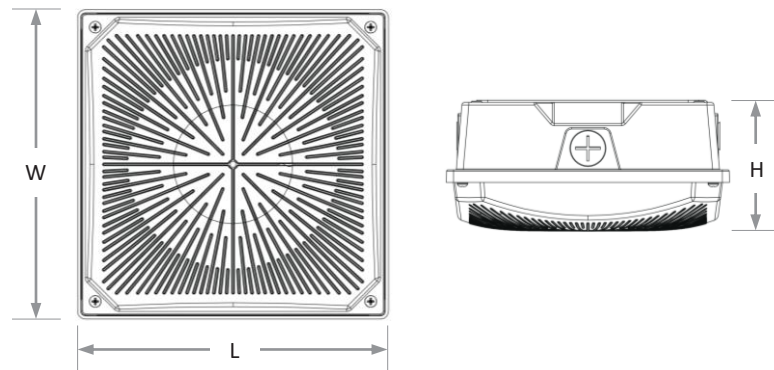
* Contact factory for other color temperatures and lumen packages.
 ** L₇₀ hours are IES TM-21-11 calculated hours.



WARRANTY & LISTINGS

- cULus listed for wet locations in ambient temperatures from -20°C to 45°C (-4°F to 113°F).
- IP65 rated for ingress protection.
- Lens is IK10 rated for impact.
- DLC premium approved (primary use categories: Parking Garage Canopy Luminaires).
- Complies with FCC Part 15, class A.
- Standard models comply with IEC/EN 61000-4-5, surge immunity protection, 2kV. Optional 10kV surge protector available (see below for ordering information).
- 5-year warranty on all electronics and housing.

DIMENSIONS



Model	Length	Width	Height	Weight
PG-5L	8"	8"	3.7"	4 lbs.
PG-10L	10"	10"	4.2"	6 lbs.

ORDERING INFORMATION

Example: PG-10L-KFS-ODS

Series	Nominal Lumen Output		Color Temperature		Occupancy Sensor		Surge Protection (optional)		Accessories	
	5L	10L	KFS*	3000k 4000k 5000k	ODS	Microwave dimming, daylight & occupancy sensor (factory installed)	SP10	TDC model SPD277-10K.1 10kV surge protector	HD03R	Sensor remote control
PG	5,000 lumens	10,000 lumens			Blank	No occupancy sensor	Blank	No additional surge protection		

*Kelvin field selectable

ELECTRICAL DATA

Model	Color Temperature	CRI ¹	Luminaire Lumens	Luminaire Watts	Lumens/Watt	Input Voltage ²	Input Current (A)			Power Factor	THD ³	L ₇₀ Hours ⁴
							120V	240V	277V			
PG-5L-KFS	3000k	> 70	5,010	40	126	120-277	0.33	0.17	0.14	> 0.90	< 20	169,000
PG-5L-KFS	4000k	> 70	5,399	38	141	120-277	0.32	0.16	0.14	> 0.90	< 20	169,000
PG-5L-KFS	5000k	> 70	5,462	40	137	120-277	0.33	0.17	0.14	> 0.90	< 20	169,000
PG-10L-KFS	3000k	> 70	9,329	75	125	120-277	0.63	0.31	0.27	> 0.90	< 20	169,000
PG-10L-KFS	4000k	> 70	10,156	71	142	120-277	0.59	0.30	0.26	> 0.90	< 20	169,000
PG-10L-KFS	5000k	> 70	10,016	75	134	120-277	0.63	0.31	0.27	> 0.90	< 20	169,000

¹ Color rendering index.

² All 50-60Hz.

³ Total harmonic distortion.

⁴ L₇₀ refers to the number of hours at which lumen output declines to 70% of the initial level. L₇₀ hours are IES TM-21-11 calculated hours.

PHOTOMETRIC DATA

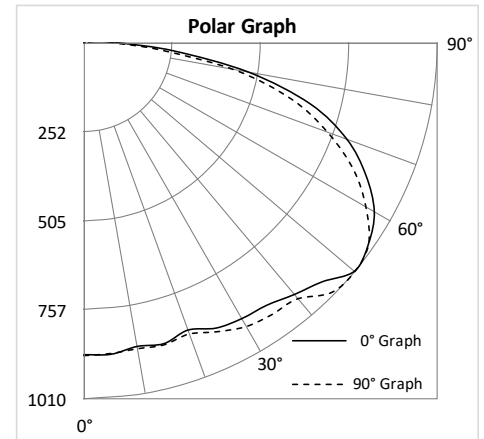
PG-5L-KFS

Luminaire Data

Description	Parking Garage Luminaire 5L, Kelvin Field Selectable (3K)
Total Lumens	5,010
Input Wattage	40
Efficacy (lm/W)	126
Max. Cd.	1100.47 (225H, 49V)
IES Classification	Type VS
Longitudinal Classification	Very Short

Luminaire Classification Systems (LCS)

LCS Zone		Lumens	%Lum
FL	0-30	377	7.5%
FM	30-60	1,117	22.3%
FH	60-80	765	15.3%
FVH	80-90	147	2.9%
BL	0-30	388	7.7%
BM	30-60	1,171	23.4%
BH	60-80	735	14.7%
BVH	80-90	123	2.5%
UL	90-100	72	1.4%
UH	100-180	116	2.3%
Total		5,010	100.0%
BUG Rating		B2-U3-G2	



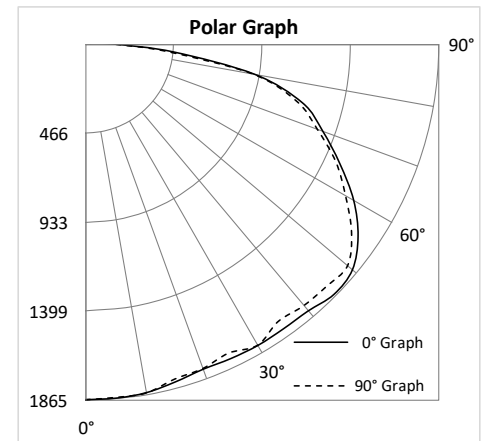
PG-10L-KFS

Luminaire Data

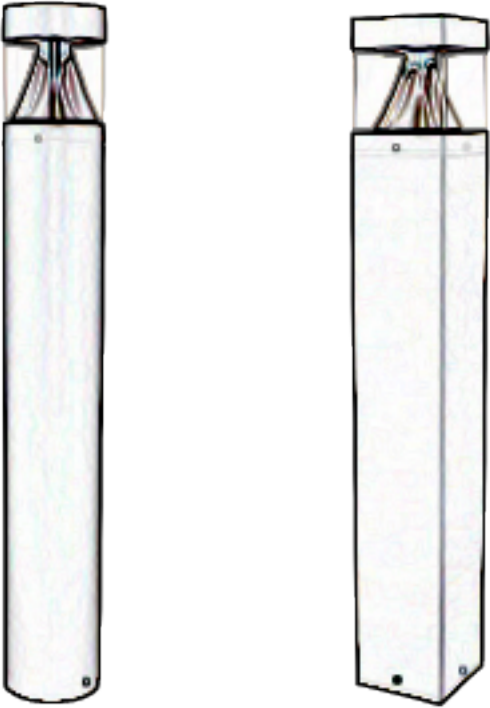
Description	Parking Garage Luminaire 10L, Kelvin Field Selectable (3K)
Total Lumens	9,329
Input Wattage	75
Efficacy (lm/W)	125
Max. Cd.	1987.47 (270H, 46V)
IES Classification	Type VS
Longitudinal Classification	Short

Luminaire Classification Systems (LCS)

LCS Zone		Lumens	%Lum
FL	0-30	774	8.3%
FM	30-60	2,084	22.3%
FH	60-80	1,355	14.5%
FVH	80-90	283	3.0%
BL	0-30	773	8.3%
BM	30-60	2,093	22.4%
BH	60-80	1,351	14.5%
BVH	80-90	280	3.0%
UL	90-100	135	1.4%
UH	100-180	201	2.2%
Total		9,329	100.0%
BUG Rating		B3-U3-G3	



Bollard



Round & Square Bollards – Lumen & Kelvin Field Selectable

STANDARD



FEATURES

- Field selectable 3000k (warm white), 4000k (neutral white), and 5000k (cool white) color temperatures.*
- Long-life LEDs provide at least 70% of initial lumen output (L_{70}) for $\geq 163,000$ hours of operation, and at least 90% of initial lumen output (L_{90}) for $\geq 50,000$ hours of operation.**
- LED chromaticity based on ≤ 5 -step ANSI quadrangles.
- LED color maintenance ≤ 0.003 chromaticity shift ($\Delta u'v'$) over the initial 6,000 hours of operation.
- Provides a range of 1,702 to 3,296 nominal lumens and 125 to 148 nominal lumens per watt (lm/W).
- 0-10vdc dimming drivers, are standard.
- Universal 120-277 AC voltage (50-60Hz) is standard.
- Power factor > 0.90 .
- Total harmonic distortion $< 20\%$.
- Color rendering index (R_a) > 80 .
- Cast aluminum housing with dark bronze, powder coat finish.
- High-impact, polycarbonate lens.
- Easy installation in new construction or retrofit applications.

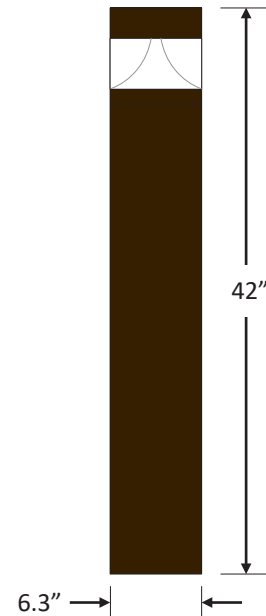
WARRANTY & LISTINGS

- cULus listed for wet locations in ambient temperatures from -40°C to 55°C (-40°F to 131°F).
- IP65 rated for ingress protection.
- DLC premium approved.
- Complies with FCC Part 15, class A.
- Surge protection = 4kV.
- 5-year warranty of all electronics and housing.

* Contact factory for other color temperatures and lumen packages.
** L_{70} & L_{90} hours are IES TM-21-11 calculated hours.



DIMENSIONS



BOL-R = 15 lbs.
BOL-S = 12 lbs.

NOTE: Dimensions for BOL-S and BOL-R are the same. BOL-S is shown.

ORDERING INFORMATION

Example: BOL-R-3L-LKFS

Series	Style		Nominal Lumen Output		Select	Required Mounting Means Order Separately	
	R	S	3L	3,000 lm		BOL-R-MTGKIT	BOL-S-MTGKIT
BOL	R	Round	3L	3,000 lm	LKFS	BOL-R-MTGKIT	Anchor bolt for round bollard
	S	Square				BOL-S-MTGKIT	Anchor bolt for square bollard

ELECTRICAL DATA

Series	Measurements	Low Lumens			Mid Lumens			High Lumens		
		3000K	4000K	5000K	3000K	4000K	5000K	3000K	4000K	5000K
BOL-R-3L-LKFS	Lumens	1827	1974	1942	2507	2686	2665	3090	3244	3296
	Watts	13	14	13	18	19	18	23	22	23
	Efficacy	139	144	148	138	145	146	134	145	144
	Input Current (A)	120V = 0.11A	120V = 0.12A	120V = 0.11A	120V = 0.15A	120V = 0.16A	120V = 0.15A	120V = 0.19A	120V = 0.18A	120V = 0.19A
		240V = 0.05A	240V = 0.06A	240V = 0.05A	240V = 0.08A	240V = 0.08A	240V = 0.08A	240V = 0.10A	240V = 0.09A	240V = 0.10A
		277V = 0.05A	277V = 0.05A	277V = 0.05A	277V = 0.06A	277V = 0.07A	277V = 0.06A	277V = 0.08A	277V = 0.08A	277V = 0.08A

Series	Measurements	Low Lumens			Mid Lumens			High Lumens		
		3000K	4000K	5000K	3000K	4000K	5000K	3000K	4000K	5000K
BOL-S-3L-LKFS	Lumens	1702	1790	1805	2303	2450	2459	2887	3047	3041
	Watts	13	14	13	18	18	19	23	23	23
	Efficacy	128	132	135	125	134	133	125	135	131
	Input Current (A)	120V = 0.11A	120V = 0.12A	120V = 0.11A	120V = 0.15A	120V = 0.15A	120V = 0.16A	120V = 0.19A	120V = 0.19A	120V = 0.19A
		240V = 0.05A	240V = 0.06A	240V = 0.05A	240V = 0.08A	240V = 0.08A	240V = 0.08A	240V = 0.10A	240V = 0.10A	240V = 0.10A
		277V = 0.05A	277V = 0.05A	277V = 0.05A	277V = 0.06A	277V = 0.06A	277V = 0.07A	277V = 0.08A	277V = 0.08A	277V = 0.08A

PHOTOMETRIC DATA

BOL-R-3L-LKFS

Luminaire Data

Description	BOLLARD (ROUND) 3L 5K - LKFS
Total Lumens	3,296
Input Wattage	23
Efficacy (lm/W)	144
Max. Cd.	815.81 (67.5H, 53V)
IES Classification	Type VS
Longitudinal Classification	Short

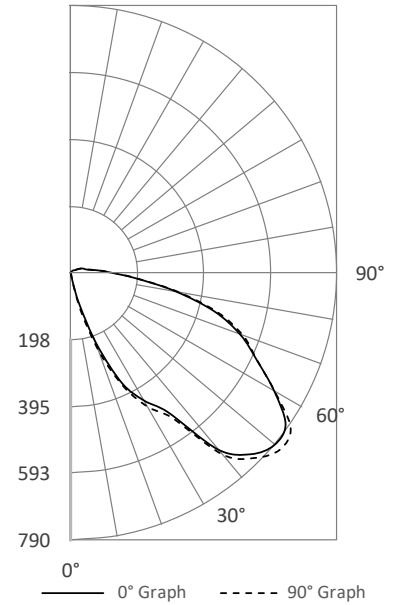
Zonal Lumen Summary

Zone	Lumens	%Fixt
0-30°	201	6.1%
0-60°	1,823	55.3%
0-80°	2,890	87.7%
80-90°	225	6.8%
0-90°	3,115	94.5%
90-110°	134	4.1%
110-180°	0	0.0%
0-180°	3,296	100.0%

Luminaire Classification Systems (LCS)

LCS Zone	Lumens	%Lum
FL 0-30	99	3.0%
FM 30-60	813	24.7%
FH 60-80	540	16.4%
FVH 80-90	116	3.5%
BL 0-30	101	3.1%
BM 30-60	809	24.5%
BH 60-80	527	16.0%
BVH 80-90	109	3.3%
UL 90-100	89	2.7%
UH 100-180	93	2.8%
Total	3,296	100.0%
BUG Rating	B2-U3-G2	

180° Polar Graph



BOL-S-3L-LKFS

Luminaire Data

Description	BOLLARD (SQUARE) 3L 5K - LKFS
Total Lumens	3,041
Input Wattage	23
Efficacy (lm/W)	132
Max. Cd.	843.54 (270H, 53V)
IES Classification	Type VS
Longitudinal Classification	Short

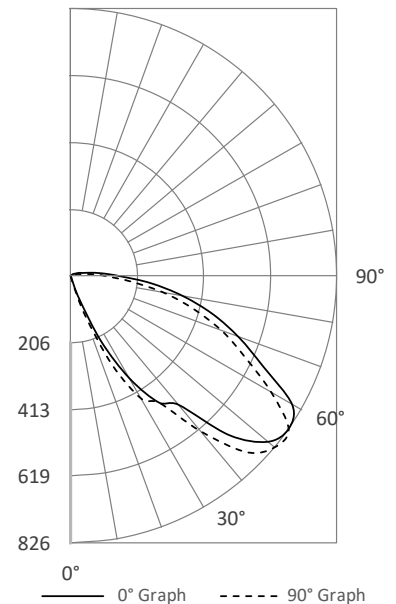
Zonal Lumen Summary

Zone	Lumens	%Fixt
0-30°	114	3.8%
0-60°	1,611	53.0%
0-80°	2,646	87.0%
80-90°	230	7.6%
0-90°	2,876	94.6%
90-110°	126	4.1%
110-180°	0	0.0%
0-180°	3,041	100.0%

Luminaire Classification Systems (LCS)

LCS Zone	Lumens	%Lum
FL 0-30	47	1.6%
FM 30-60	738	24.3%
FH 60-80	552	18.2%
FVH 80-90	132	4.3%
BL 0-30	67	2.2%
BM 30-60	760	25.0%
BH 60-80	482	15.9%
BVH 80-90	98	3.2%
UL 90-100	89	2.9%
UH 100-180	76	2.5%
Total	3,041	99.9%
BUG Rating	B1-U3-G2	

180° Polar Graph



14" Straight & Angled - GN

STANDARD



FEATURES

- Available in 3000k (warm white) color temperature.*
- Long-life LEDs provide at least 70% of initial lumen output (L_{70}) for $\geq 174,000$ hours of operation, and at least 90% of initial lumen output (L_{90}) for $\geq 51,000$ hours of operation.**
- LED chromaticity based on ≤ 6 -step ANSI quadrangles.
- LED color maintenance ≤ 0.001 chromaticity shift ($\Delta u'v'$) over the initial 6,000 hours of operation.
- 2,300 nominal lumens.
- 20 nominal watts.
- 0-10vdc dimming drivers, which provide 10% continuous dimming are standard.
- Universal 120-277 AC voltage (50-60Hz) is standard.
- Power factor > 0.90 .
- Total harmonic distortion $< 20\%$.
- Color rendering index (R_a) > 80 . Red color rendering of at least 3.
- Aluminum housing with choice of dark bronze or white powder coat finish.
- Straight (GN14S) or angled (GN14A) housings.
- Glass lens.
- Easy installation in new construction or retrofit applications.

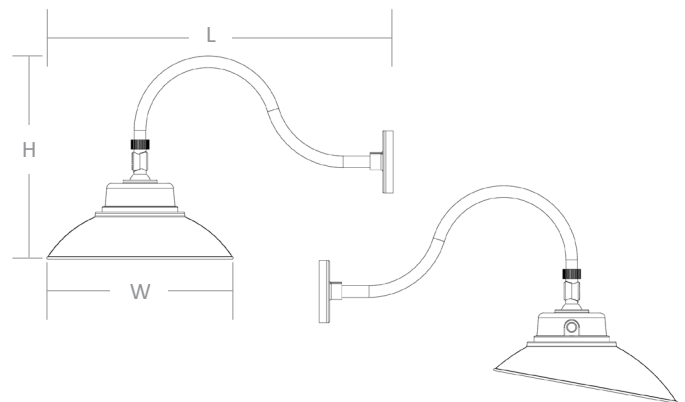
* Contact factory for other color temperatures and lumen packages.
 ** L_{70} & L_{90} hours are IES TM-21-11 calculated hours.



WARRANTY & LISTINGS

- cULus listed for wet locations in ambient temperatures from -40°C to 50°C (-40°F to 122°F).
- IP66 rated for ingress protection.
- DLC 5.1 premium approved.
- Complies with FCC Part 15, Class B.
- Surge immunity protection (2.5kV).
- RoHS compliant.
- 5-year warranty of all electronics and housing.

DIMENSIONS



Model	Length	Width	Height	Weight
GN14S	23"	14"	14.5"	3.7 lbs.
GN14A	23"	14"	15.5"	3.7 lbs.

ORDERING INFORMATION

Example: GN14A-23L-3K-WHT

Model	Nominal Lumen Output		Color Temperature		Housing Color	
	GN14S	23L	2,300	3K	3000k	BZ
GN14A					WHT	White

ELECTRICAL DATA

Model	CCT	CRI ¹	Luminaire Lumens	Luminaire Watts	Lumens Per Watt	Input Voltage	Input Current (A)			Power Factor	THD ²	L ₇₀ Hours ³
							120V	240V	277V			
GN14S-23L-3K-BZ	3000k	> 80	2,295	19	120	120-277	0.16	0.08	0.07	> 90%	< 20%	174,000
GN14S-23L-3K-WHT	3000k	> 80	2,295	19	120	120-277	0.16	0.08	0.07	> 90%	< 20%	174,000
GN14A-23L-3K-BZ	3000k	> 80	2,329	19	122	120-277	0.16	0.08	0.07	> 90%	< 20%	174,000
GN14A-23L-3K-WHT	3000k	> 80	2,329	19	122	120-277	0.16	0.08	0.07	> 90%	< 20%	174,000

¹ Color rendering index

² Total harmonic distortion

³ L₇₀ refers to the number of hours at which lumen output declines to 70% of the initial level. L₇₀ hours are IES TM-21-11 calculated hours.

PHOTOMETRIC DATA

GN14S-23L-3K-xx

Luminaire Data

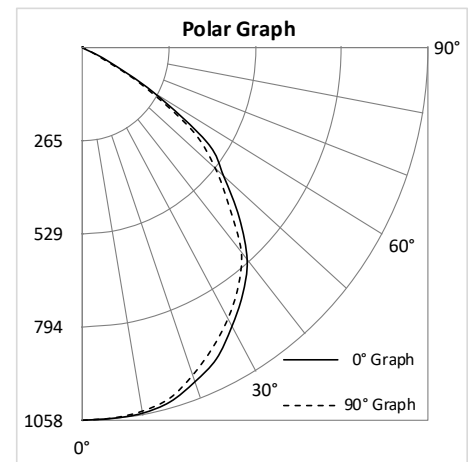
Description	Gooseneck (straight) - 23L, 3K
Total Lumens	2,295
Input Wattage	19
Efficacy (lm/W)	120
Max. Cd.	1065.79 (315H, 4V)
IES Classification	Type VS
Longitudinal Classification	Very Short

Luminaire Classification Systems (LCS)

LCS Zone	Lumens	%Lum	
FL	0-30	420	18.3%
FM	30-60	717	31.2%
FH	60-80	45	2.0%
FVH	80-90	1	0.1%
BL	0-30	411	17.9%
BM	30-60	660	28.8%
BH	60-80	25	1.1%
BVH	80-90	1	0.0%
UL	90-100	2	0.1%
UH	100-180	13	0.6%
Total	2,295	100.0%	

BUG Rating

B1-U2-G0



GN14A-23L-3K-xx

Luminaire Data

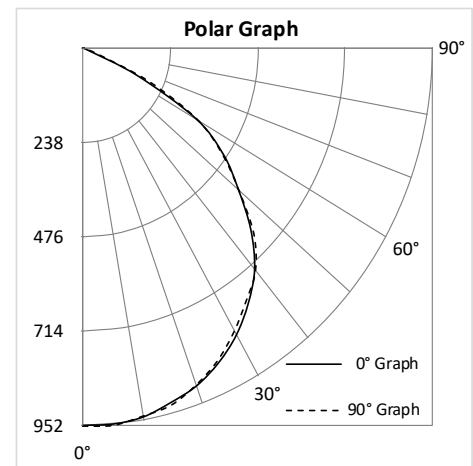
Description	Gooseneck (angled) - 23L, 3K
Total Lumens	2,329
Input Wattage	19
Efficacy (lm/W)	122
Max. Cd.	955.72 (135H, 2V)
IES Classification	Type VS
Longitudinal Classification	Very Short

Luminaire Classification Systems (LCS)

LCS Zone	Lumens	%Lum	
FL	0-30	376	16.1%
FM	30-60	697	29.9%
FH	60-80	94	4.0%
FVH	80-90	1	0.0%
BL	0-30	368	15.8%
BM	30-60	658	28.3%
BH	60-80	121	5.2%
BVH	80-90	1	0.1%
UL	90-100	2	0.1%
UH	100-180	12	0.5%
Total	2,329	100.0%	

BUG Rating

B1-U2-G0





Warranty

Americanlite® is pleased to provide a 5 year limited warranty covering the fixtures and lamps in this catalogue. Americanlite® warrants that the fixtures comply with Americanlite®'s published specifications and are free from defects in materials and workmanship.

All our equipment is CE, TUV, FCC or UL approved and manufactured with approved components. Americanlite® reserves the right to change or improve the design or components of any of its products due to parts availability or changes in standards, without assuming any obligation to modify any product previously manufactured and without notice. All equipment is tested and inspected before shipment.

This warranty is void if the product is operated outside of its normal operating conditions. The foregoing warranty does not apply to failures caused by acts of God or as a result of any abuse, misuse, abnormal use, or use in violation of any applicable standard, code or instructions for use in installations, including, but not limited to, those contained in the Standards for the International Electrotechnical Commission. Americanlite® reserves and has the right to examine failed ballast to determine the cause of failure, excessive lumen depreciation and patterns of usage.